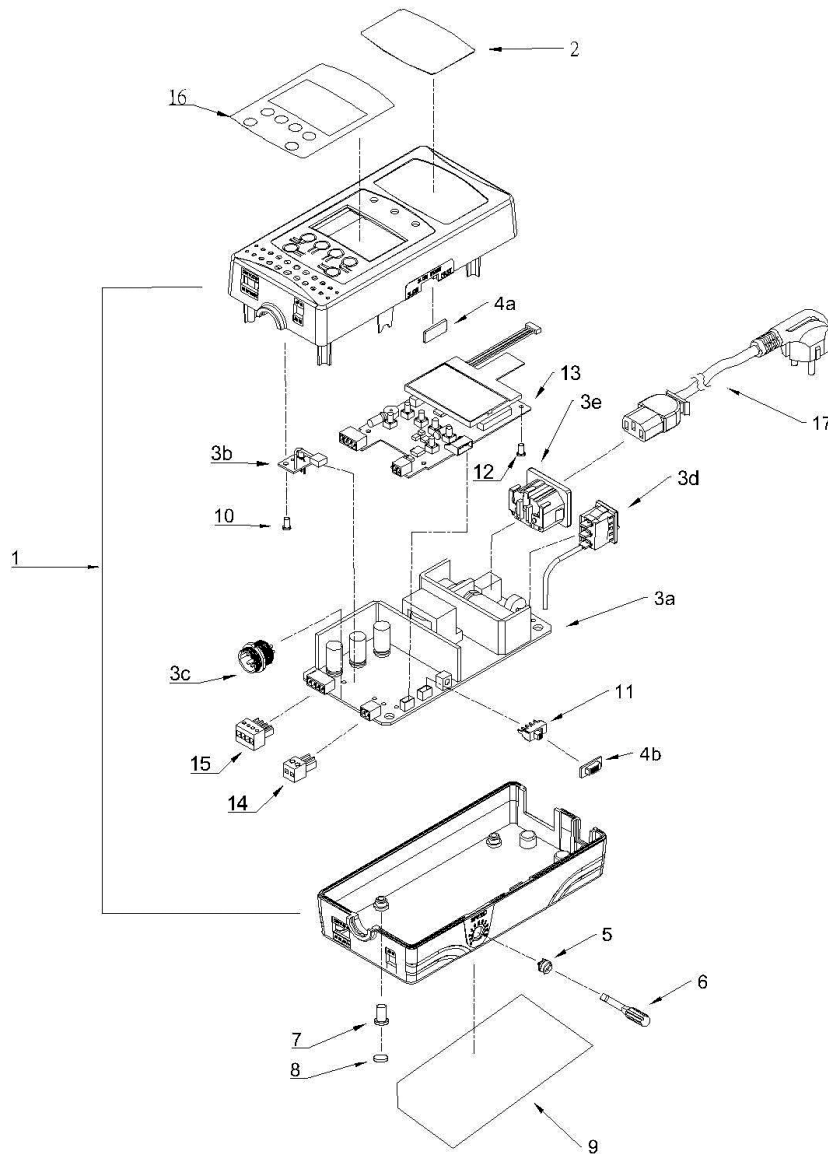


AM-45 & AM-65 SCREW FASTENER CONTROLLER FOR ELECTRA SERIES SCREWDRIVERS

EXPLODED VIEW



PARTS LIST — FOR REFERENCE ONLY

Index Number	Part Number	Description	Qty.	Index Number	Part Number	Description	Qty.	Index Number	Part Number	Description	Qty.
1	6Z2073	Plastic Housing (Upper Cover)	1	PARTS FOR AM-65				7	8T2090	Screw M3 x L16	4
	6Z2074	Plastic Housing (Lower Cover)	1	3	2A2938	PCB Sub Ass'y Set	1	8	6B3020	Foot (6.5 x 3.0)	4
2	Differs	Model Label	1	3a	2A2938-MP	PCB Sub Ass'y Set	1	9	Differs	Safety Label	1
PARTS FOR AM-45				3b	2A2917-LP	LED PCB Sub Ass'y Set	1	10	8T2663	Screw M2.5 x L6	1
3	2A2937	PCB Sub Ass'y Set	1	3c	6G1001	Plastic Plug (5P)	1	11	2A7091	Switch Sub Ass'y Set	1
3a	2A2937-MP	PCB Sub Ass'y Set	1	3d	2S2038-1	On/Off Switch	1	12	8T2623	Screw M5 x L5	4
3b	2A2917-LP	LED PCB Sub Ass'y Set	1	3e	2G4010	AC Inlet	1	13	2A4012	LED Panel	1
3c	6G1001	Plastic Plug (5P)	1	4a	6V1064	Screen (for no-start)	1	14	2T6011	Terminal Block 2P	1
3d	2S2038-1	On/Off Switch	1	4b	6V1063	Push Button (for soft start)	1	15	2T6012	Terminal Block 4P	1
3e	2G4010	AC Inlet	1	5	6R3016	Adjustment Button	1	16	7L1450	Panel Label	1
				6	6R3017	Plastic Screwdriver	1	17	2W1024	AC Cable (USA Type)	1

FOOTNOTES



10000 SE PINE
PORTLAND, OR 97216
503-254-6600
FAX 503-255-2615

When ordering spare parts, please specify
tool type, part number, and description.