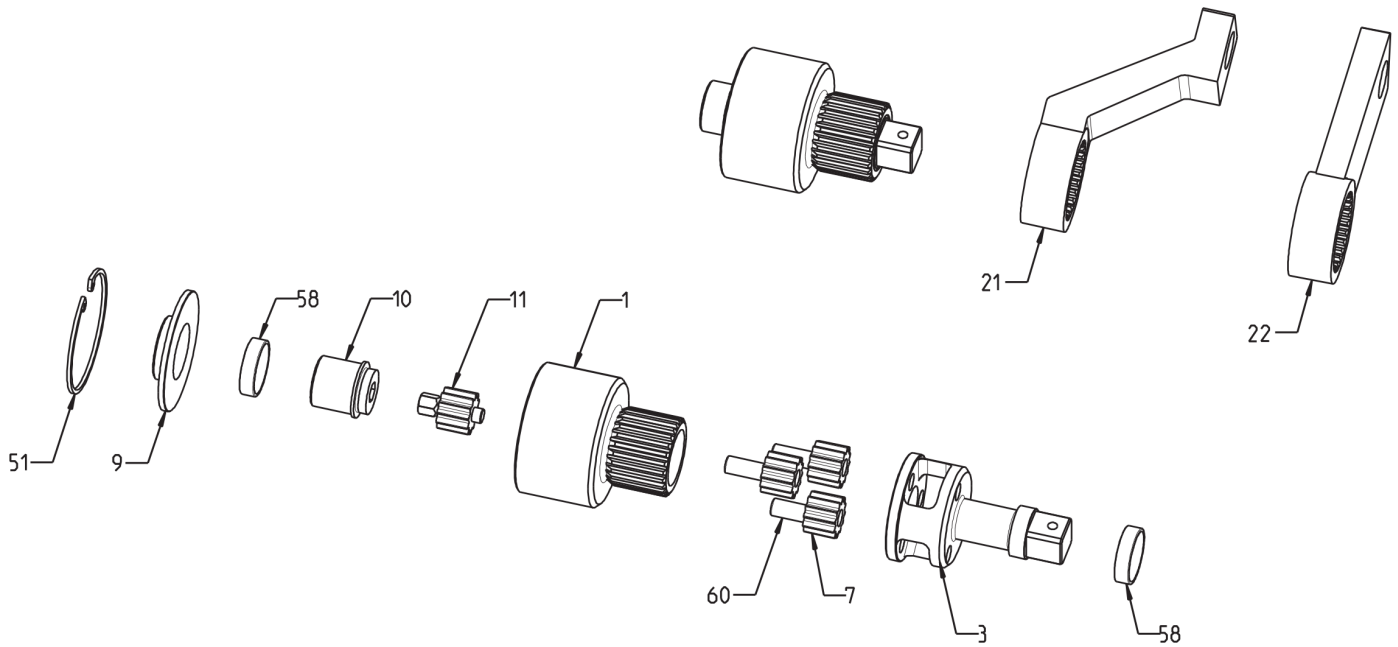


# ATM-1800 DYNATORQUE MANUAL TORQUE MULTIPLIER

## EXPLODED VIEW



### PARTS LIST — FOR REFERENCE ONLY

Index Number	Part Number	Description	Qty.	Index Number	Part Number	Description	Qty.	Index Number	Part Number	Description	Qty.
1	025010018001	Gear Housing	1	11	025010018011	Shear Pin - 8K	1	<b>ACCESSORIES</b>			
3	025010018003	Gear Cage with 1" Sq. Dr.	1	51	655104720820	Circlip	1	21	31318	Angled Reaction Bar	1
7	025510013007	Planet Gear - 2K	1	58	659000353910	Bearing 353910	1	22	31319	Straight Reaction Bar	1
9	025510018009	Cover	1	60	652163251240	Needle Roller	1				
10	025001323040	Drive Head - 3/4"	1								



10000 SE PINE  
 PORTLAND, OR 97216  
 503-254-6600  
 FAX 503-255-2615

When ordering spare parts, please specify tool type, part number, and description.

#### FOOTNOTES