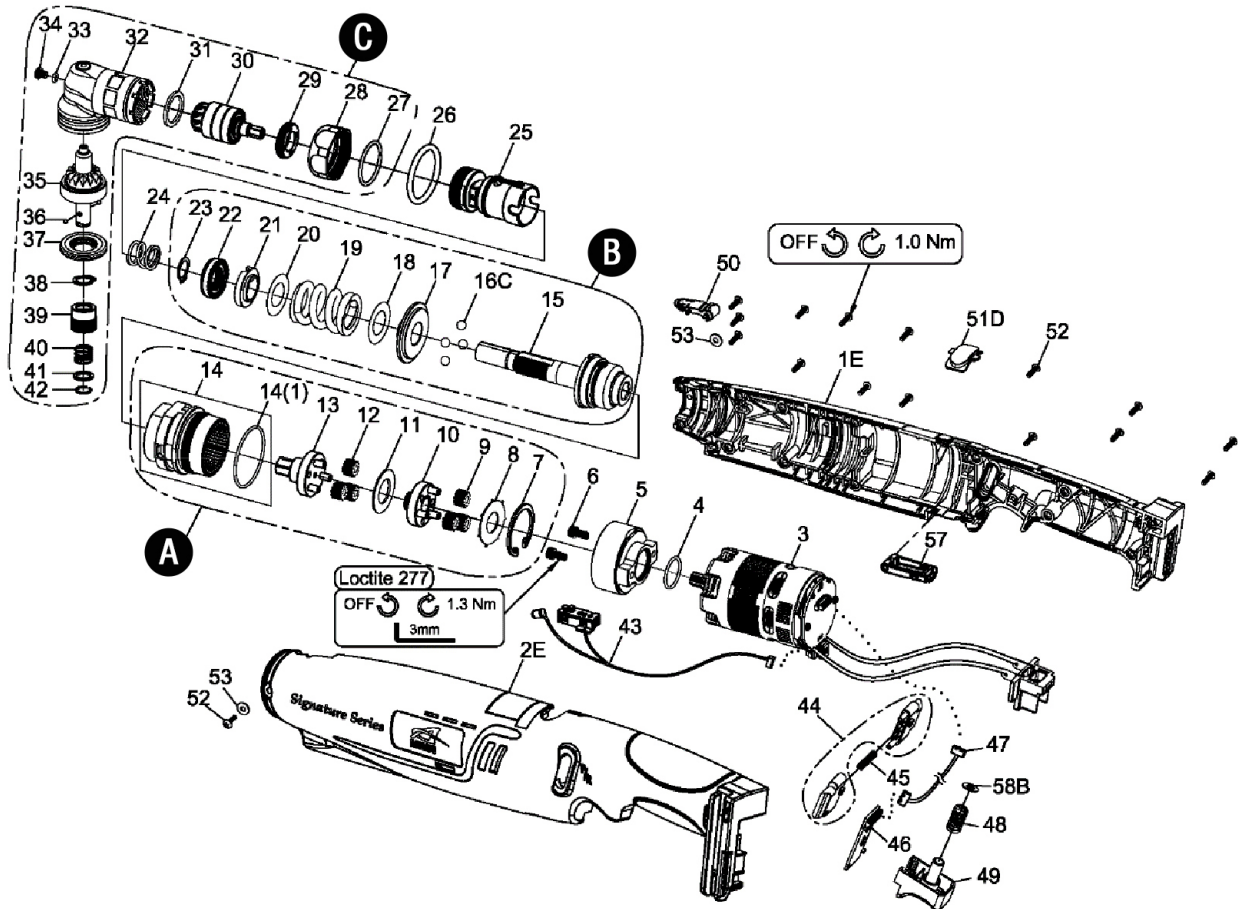


SPC-A21625Q 18V CORDLESS SHUT OFF ANGLE SCREWDRIVER (LI-ION)

EXPLODED VIEW



PARTS LIST — FOR REFERENCE ONLY

Index Number	Part Number	Description	Qty.	Index Number	Part Number	Description	Qty.	Index Number	Part Number	Description	Qty.
1	32001-WRBA	Upper Housing	1	19		Spring (Yellow)	1	40		Spring	1
2	32002-WRBA	Lower Housing	1	20		Washer (White)	1	41		Hold Spacer	1
3	B83WR16	Brushless Motor Assembly w/Driver	1	21		Adjust Washer	1	42		Anvil Collar	1
4	000-4110	O-Ring (16 x 1.5)	1	22		Adjust Nut	1	43	B75WR	Sensor & LED Assembly	1
5	D51SC108B	Motor Holder	1	23		Snap Ring (STW-12)	1	44	B09PW15-1#B1	F/R Valve (1 set x 2 pcs)	1
6	000-0242	Screw (M4 x 8L)	2	24	D48WR	Spring	1	45	D48PW15-1	Spring	1
A	B50WR16	Gear Box Unit	1	25	B51WR	Connecting Holder Assembly	1	46	E76WR	PC Board	1
7		Snap Ring (RTW-28)	1	26	000-4120Y	Marking Ring (P32, Yellow)	1	47	E86SC	Connector Wire	1
8		Washer	1					48	D48PW15	Spring	1
9		Planet Gear	3	C	B42WR#BZ	Angle Housing Unit	1	49	B09PW15#B1	Trigger Assembly	1
10		Gear Cage Assembly	1	27		Collar	1	50	C10SC108B-2#B1	Cover	1
11		Washer	1	28		Lock Nut	1	51D	33110-WRBA-02	Cover	1
12		Planet Gear	3	29		Lock Nut	1	52	000-1430C	Screw (M3 x P0.5 x 10L)	16
13		Gear Plate Assembly	1	30		Main Bevel Gear Assembly	1	53	000-1531B	Washer (3.3 x 8)	2
14		Gear Box Assembly	1	31		Washer	1	57	C10WRB#B1	Cover	1
14(1)		O-Ring (28 x 1.5)	1*	32		Angle Housing Assembly	1	58B	C39PW15-3	Washer	1
B	B43WR16	Clutch Unit	1	33		O-Ring (3 x 1.5)	1				
15		Clutch Assembly	1	34		Screw (M4 x 5L)	1				
16		Steel Ball (7/32")	4	35		Bevel Gear Assembly	1				
17		Washer	1	36		Steel Ball (3)	2				
18		Washer	2	37		Lock Nut	1				
				38		Snap Ring (STW-11)	1				
				39		Quick Change Holder	1				

ACCESSORIES

BB180C-320	18V Li-Ion 2.0 Ah Battery	1
B84192B	Battery Charger	1

AIMCO also offers a complete line of standard & special adapters, bits, sockets, and extensions

FOOTNOTES



10000 SE PINE
PORTLAND, OR 97216
503-254-6600
FAX 503-255-2615

When ordering spare parts, please specify tool type, part number, and description.