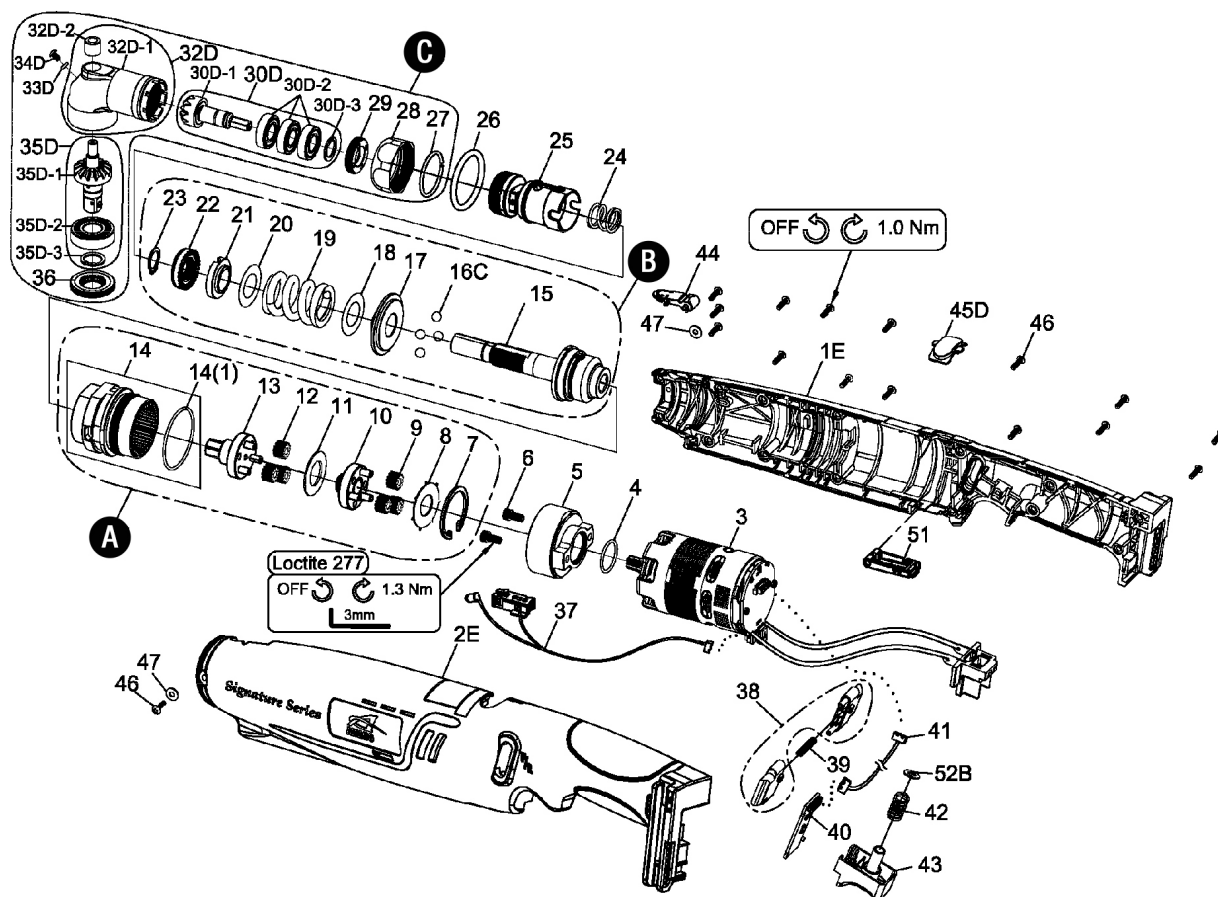


SPC-A23038 18V CORDLESS SHUT OFF ANGLE WRENCH (LI-ION)

EXPLODED VIEW



PARTS LIST — FOR REFERENCE ONLY

| Index Number | Part Number | Description | Qty. | Index Number | Part Number | Description | Qty. | Index Number | Part Number | Description | Qty. |
|--------------|-------------|-----------------------------------|------|--------------|--------------|----------------------------|------|--------------|----------------|-------------------------|------|
| 1 | 32001-WRBA | Upper Housing | 1 | 19 | | Spring | 1 | 39 | D48PW15-1 | Spring | 1 |
| 2 | 32002-WRBA | Lower Housing | 1 | 20 | | Washer (White) | 1 | 40 | E76WR | PC Board | 1 |
| 3 | B83WR30 | Brushless Motor Assembly w/Driver | 1 | 21 | | Adjust Washer | 1 | 41 | E86SC | Connector Wire | 1 |
| 4 | 000-4110 | O-Ring (16 x 1.5) | 1 | 22 | | Adjust Nut | 1 | 42 | D48PW15 | Spring | 1 |
| 5 | D51SC108B | Motor Holder | 1 | 23 | | Snap Ring (STW-12) | 1 | 43 | B09PW15#B1 | Trigger Assembly | 1 |
| 6 | 000-0242 | Screw (M4 x 8L) | 2 | 24 | D48WR | Spring | 1 | 44 | C10SC108B-2#B1 | Cover | 1 |
| A | B50WR30 | Gear Box Unit | 1 | 25 | B51WR | Connecting Holder Assembly | 1 | 45D | 33110-WRBA-02 | Cover | 1 |
| 7 | | Snap Ring (RTW-28) | 1 | 26 | 000-4120B | Marking Ring (P32, Blue) | 1 | 46 | 000-1430C | Screw (M3 x P0.5 x 10L) | 16 |
| 8 | | Washer | 1 | C | B42WR3#BZ | Angle Housing Unit | 1 | 47 | 000-1531B | Washer (3.3 x 8) | 2 |
| 9 | | Planet Gear | 3 | 27 | | Collar | 1 | 51 | C10WRB#B1 | Cover | 1 |
| 10 | | Gear Cage Assembly | 1 | 28 | | Lock Nut | 1 | 52B | C39PW15-3 | Washer | 1 |
| 11 | | Washer | 1 | 29 | | Lock Nut | 1 | | | | |
| 12 | | Planet Gear | 3 | 30 | | Main Bevel Gear Assembly | 1 | | | | |
| 13 | | Gear Plate Assembly | 1 | 31 | | Washer | 1 | | | | |
| 14 | | Gear Box Assembly | 1 | 32 | | Angle Housing Assembly | 1 | | | | |
| 14(1) | | O-Ring (28 x 1.5) | 1* | 33 | | O-Ring (3 x 1.5) | 1 | | | | |
| B | B43WR30 | Clutch Unit | 1 | 34 | | Screw (M4 x 5L) | 1 | | | | |
| 15 | | Clutch Assembly | 1 | 35 | | Bevel Gear Assembly | 1 | | | | |
| 16 | | Steel Ball (7/32") | 4 | 36 | | Lock Nut | 1 | | | | |
| 17 | | Washer | 1 | 37 | B75WR | Sensor & LED Assembly | 1 | | | | |
| 18 | | Washer | 1 | 38 | B09PW15-1#B1 | F/R Valve (1 set x 2 pcs) | 1 | | | | |

ACCESSORIES

| | | |
|------------|---------------------------|---|
| BB180C-320 | 18V Li-Ion 2.0 Ah Battery | 1 |
| B84192B | Battery Charger | 1 |

AIMCO also offers a complete line of standard & special adapters, bits, sockets, and extensions

FOOTNOTES



10000 SE PINE
PORTLAND, OR 97216
503-254-6600
FAX 503-255-2615

When ordering spare parts, please specify tool type, part number, and description.