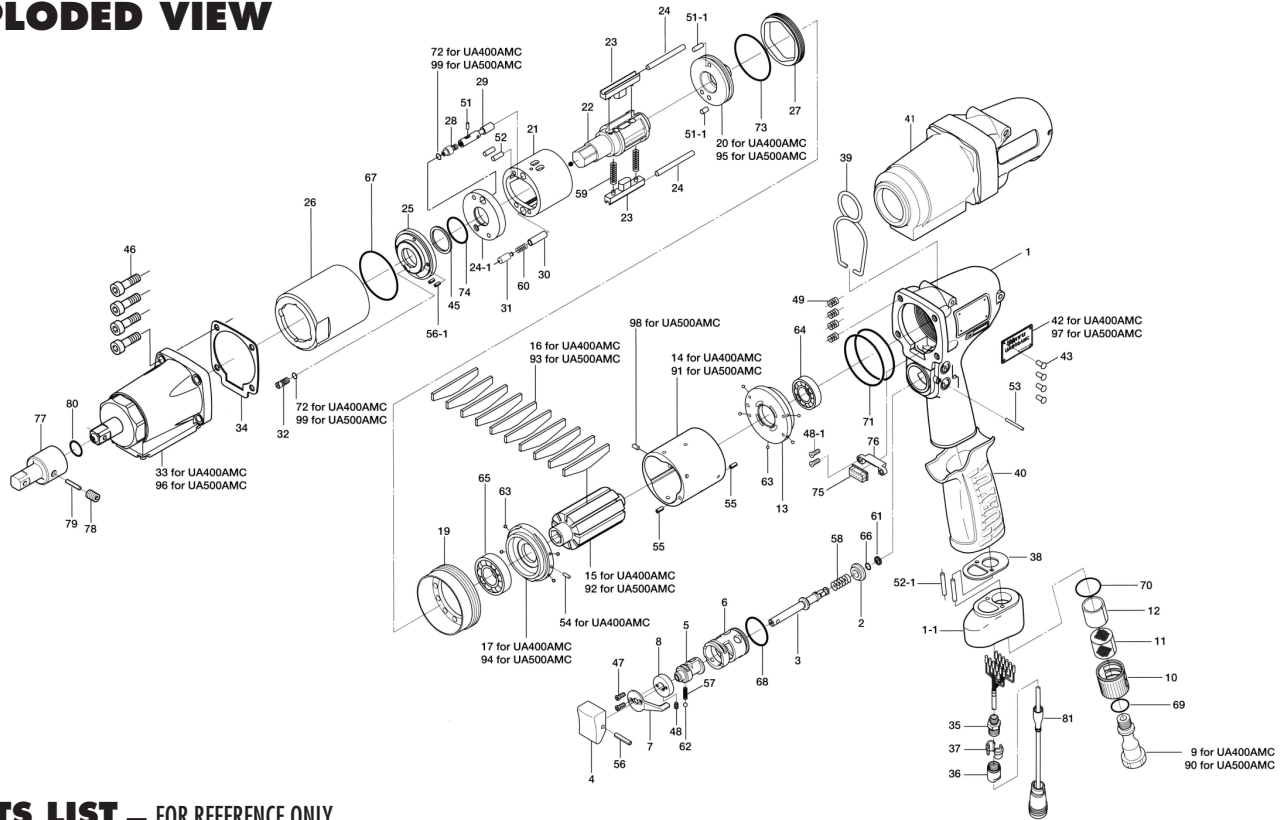


# UA-400AMC & UA-500AMC OIL-PULSE WRENCHES

## EXPLODED VIEW



## PARTS LIST — FOR REFERENCE ONLY

Index Number	Part Number	Description	Qty.	Index Number	Part Number	Description	Qty.	Index Number	Part Number	Description	Qty.
1	852-715-1	Handle	1	45	944-213-0	Back-up Ring (12 x 16 x 1.0)	1	81	910-319-0	Joint Cable Assembly	1
1-1	17G-035-3	Handle Connector	1	46	945-117-0	Allen Head Bolt (M5 x 16)	4	<b>PARTS FOR UA-400AMC</b>			
2	147-100-3	Valve	1	47	948-422-0	Allen Flush Head Screw (M3 x 5)	2	9	17G-091-0	Air Inlet Bushing	1
3	147-104-2	Valve Rod	1	48	952-008-0	Allen Head Dog Screw (M3 x 8)	1	14	17B-286-3	Cylinder	1
4	147-107-2	Valve Lever	1	48-1	957-256-0	Cross Flush Head Screw (M2 x 5)	2	15	18B-287-2	Rotor	1
5	851-306-1	Reverse Valve	1	49	965-011-0	Heli-ert (M5 x 1.5D)	4	16	18B-288-2	Blade	10
6	851-359-1	Reverse Valve Bushing	1	51	970-013-0	Pin (H)(1.5 x 4)	1	17	17B-289-3	Front Plate	1
7	173-212-0	Reverse Lever	1	51-1	970-130-0	Pin (H)(2.45 x 4.5)	2	20	17B-901-3	Rear Liner Plate	1
8	17E-213-5	Reverse Valve Spacer	1	52	970-131-0	Pin (H)(2.45 x 9)	2	33	17G-975-0	Sensor Casing Assembly	1
10	147-780-3	Exhaust Stack	1	52-1	970-206-0	Pin (H)(3 x 8)	2	42	17G-924-0	Metal Tag (UA-400AMC)	1
11	147-042-2	Silencer	1	53	971-126-0	Pin (2 x 26)	1	54	973-005-0	Roll Pin (2 x 5)	1
12	145-835-8	Filter (K100)	1	55	973-008-0	Roll Pin (2 x 8)	2	72	990-900-0	O-Ring (S02SR)	2
13	18B-285-2	Rear Plate	1	56	973-014-0	Roll Pin (2 x 14)	1	<b>PARTS FOR UA-500AMC</b>			
19	17G-036-1	Hammer Casing Connector	1	56-1	973-040-0	Roll Pin (1.5 x 5)	2	90	17G-091-3	Air Inlet Bushing	1
21	18B-902-2	Liner	1	57	976-006-0	Spring (3 x 5)	1	91	17C-286-4	Cylinder	1
22	137-319-4	Anvil	1	58	976-457-0	Spring (7 x 12)	1	92	17C-287-4	Rotor	1
23	145-440-0	Driving Blade	2	59	976-791-0	Spring (3.3 x 21)	2	93	17C-288-4	Blade	10
24	145-974-0	Roller (2.5 x 21)	2	60	976-778-0	Spring (3 x 12.1)	1	94	18B-289-2	Front Plate	1
24-1	18C-973-8	Liner Casing Spacer	1	61	979-405-0	Outer Snap Ring (E2.5)	1	95	17C-901-4	Rear Liner Plate	1
25	145-904-6	Front Liner Plate	1	62	981-002-0	Ball (1/8)	1	96	17G-975-1	Sensor Casing Assembly	1
26	17C-905-4	Liner Casing	1	63	981-045-0	Ball (1/5)	8	97	17G-924-1	Metal Tag (UA-500AMC)	1
27	145-906-6	Liner Casing Cover	1	64	982-014-0	Ball Bearing (607)	1	98	971-102-0	Pin (2 x 3.8)	1
28	145-907-6	Relief Valve Spindle	1	65	982-902-0	Ball Bearing (6901)	1	99	990-970-0	O-Ring (S04SR)	2
29	17C-970-4	Relief Valve	1	66	990-306-0	O-Ring (APR-568-004)	1	<b>ACCESSORIES</b>			
30	080-274-6	Pressure Valve Spring Collar	1	67	990-605-0	O-Ring (25 x 1.45)	1	82	939-091-0	Allen Wrench 1.5 (80 x 20) for UA-400AMC	1
31	18A-276-4	Pressure Valve Body	1	68	990-912-0	O-Ring (SNS-14)	1	83	939-090-0	Allen Wrench 1.5 (55 x 55) for UA-500AMC	1
32	194-742-0	Oil Plug	1	69	990-914-0	O-Ring (SNS-16)	1	85	910-263-0	Sensor Cable Assembly (3F5)	1
34	17G-867-1	Front Casing Packing	1	70	990-916-0	O-Ring (SNS-18)	1	86	911-023-0	Encoder Cable Assembly	1
35	149-079-2	Connector	1	71	990-337-0	O-Ring (JW-1530-27)	2	87	909-749-0	Solenoid Valve Assembly	1
36	149-018-2	Cap	1	73	990-329-0	O-Ring (JW-1530-19)	1				
37	149-562-2	Stopper	2	74	992-020-0	SU-Ring (Q12)	1				
38	17G-850-3	Handle Packing	1	75	910-335-0	Double-Row Socket	1				
39	174-790-0	Suspension Ring	1	76	911-019-0	Connector Cover	1				
40	17D-842-3	Handle Cover	1	77	904-090-0	Extension Bar	1				
41	17G-840-1	Casing Protector	1	78	953-104-0	Allen Head Screw (M4 x 4)	1				
43	930-205-0	Driver Rivet	4	79	971-214-0	Pin (3 x 14)	1				

## FOOTNOTES



10000 SE PINE  
PORTLAND, OR 97216  
503-254-6600  
FAX 503-255-2615

When ordering spare parts, please specify tool type, part number, and description.