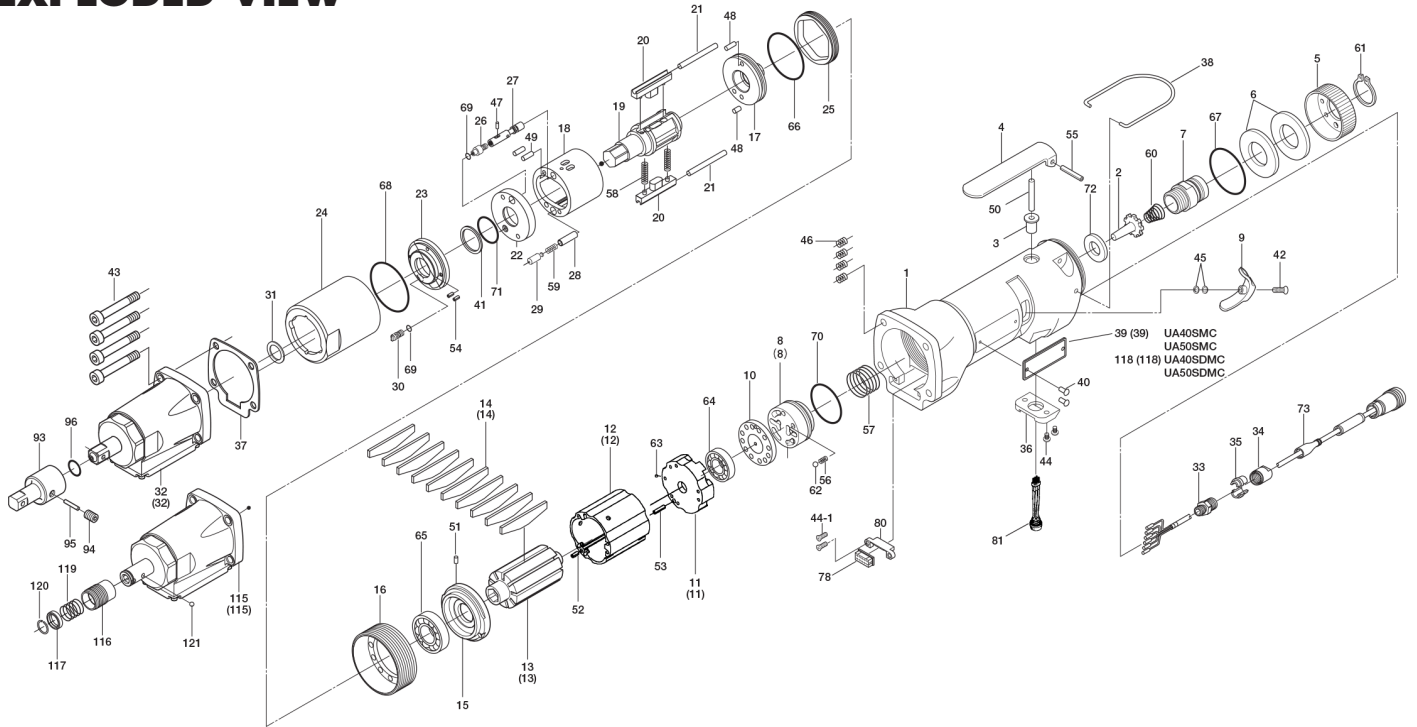


UA-40S(D)MC & UA-50S(D)MC OIL-PULSE WRENCHES

EXPLODED VIEW



PARTS LIST — FOR REFERENCE ONLY

Index Number	Part Number	Description	Qty.	Index Number	Part Number	Description	Qty.	Index Number	Part Number	Description	Qty.
1	17H-025-3	Casing	1	45	961-008-0	Spring Washer 3	2	12	17H-286-2	Cylinder	1
2	259-100-0	Valve	1	46	965-011-0	Heli-ert M5 x 1.5D	4	13	17H-287-2	Rotor	1
3	161-103-3	Valve Rod Bushing	1	47	970-013-0	Pin (H) 1.5 x 4	1	14	18A-288-0	Blade	10
4	196-107-7	Valve Lever	1	48	970-130-0	Pin (H) 2.45 x 4.5	2	32	851-677-1	Sensor Casing Assembly (S02S)	1
5	161-782-6	Exhaust Cover	1	49	970-131-0	Pin (H) 2.45 x 9.5	2	39	17H-924-2	Name Plate UA40SMC	1
6	161-835-6	Filter	2	50	970-222-0	Pin (H) 3 x 22	1	PARTS FOR UA-50SMC			
7	161-091-6	Air Inlet Bushing	1	51	973-005-0	Roll Pin 2 x 5	1	8	17H-210-3	Reverse Valve	1
9	496-212-2	Reverse Lever	1	52	973-008-0	Roll Pin 2 x 8	1	11	18C-285-2	Rear Plate	1
10	18C-291-2	Rear Plate Spacer	1	53	973-018-0	Roll Pin 2 x 18	1	12	18C-286-2	Cylinder	1
15	17H-289-3	Front Plate	1	54	973-040-0	Roll Pin 1.5 x 5	2	13	18B-287-2	Rotor	1
16	131-036-5	Hammer Casing Connector	1	55	973-124-0	Roll Pin 3 x 24	1	14	18B-288-2	Blade	10
17	178-901-3	Rear Liner Plate	1	56	976-006-0	Spring 3 x 5	1	32	851-679-1	Sensor Casing Assembly (S04S)	1
18	188-902-2	Liner	1	57	976-654-0	Spring 29 x 14	1	39	17H-924-3	Name Plate UA50SMC	1
19	137-319-4	Anvil	1	58	976-791-0	Spring 3.3 x 21	2	PARTS FOR UA-40SDMC, UA-50SDMC			
20	145-440-0	Driving Blade	2	59	976-778-0	Spring 3 x 12.1	1	116	011-351-1	Bit Sleeve	1
21	145-974-0	Roller 2.5 x 21	2	60	977-227-0	Cone Spring 9 x 12 x 25	1	117	011-352-1	Bit Spacer	1
22	18C-973-8	Liner Casing Spacer	1	61	979-358-0	Snap Ring ISTW17	1	119	976-327-0	Spring (13.5 x 11)	1
23	145-904-6	Front Liner Plate	1	62	981-002-0	Ball 1/8	1	120	978-117-0	Snap Ring (11.7 x 1)	1
24	17C-905-4	Liner Casing	1	63	981-045-0	Ball 1.5	1	121	981-002-0	Ball (1/8)	1
25	145-906-6	Liner Casing Cover	1	64	982-014-0	Ball Bearing 607	1	122	916-810-0	(W) Bit No. 2 x 75	1
26	145-907-6	Relief Valve Spindle	1	65	982-902-0	Ball Bearing 6901	1	PARTS FOR UA-40SDMC			
27	17C-970-4	Relief Valve	1	66	990-329-0	O Ring JW1530-19	1	115	851-678-1	Sensor Casing Assembly (S02D)	1
28	080-274-6	Spring Holder	1	67	990-603-0	O Ring 28.5 x 1.3	1	118	17J-924-2	Name Plate UA40SDMC	1
29	18A-276-4	Pressure Adjusting Valve	1	68	990-605-0	O Ring 25 x 1.45	1	PARTS FOR UA-50SDMC			
30	194-742-0	Oil Plug	1	69	990-900-0	O-Ring SNS-2	2	115	851-679-1	Sensor Casing Assembly (S02D)	1
31	178-327-0	Anvil Front Spacer	1	70	990-916-0	O-Ring SNS-18	1	118	17J-924-3	Name Plate UA40SDMC	1
33	149-079-2	Connector	1	71	992-020-0	SU-Ring Q12	1	PARTS FOR UA-40SDMC			
34	149-018-2	Cap	1	72	996-423-0	Urethane Packing 16 x 10 x 2	1	PARTS FOR UA-50SDMC			
35	149-562-2	Stopper	2	78	909-918-0	Double-Row Socket	1	115	851-679-1	Sensor Casing Assembly (S02D)	1
36	192-718-6	Fixing Plate	1	80	911-017-0	Connector Cover	1	118	17J-924-3	Name Plate UA40SDMC	1
37	149-867-2	Front Casing Packing	1	93	904-090-0	Extension Bar 3/8 x 45	1	PARTS FOR UA-40SDMC			
38	191-790-1	Suspension Ring	1	94	953-104-0	Allen Head Screw M4 x 4	1	PARTS FOR UA-50SDMC			
40	930-205-0	Driver Rivet	2	95	971-214-0	Pin 3 x 14	1	ACCESSORIES			
41	944-212-0	Back-up Ring 12 x 16 x 1.5	1	96	990-011-0	O-Ring P-12	1	73	910-331-0	Joint Cable Assembly	1
42	945-001-0	Allen Head Bolt M3 x 10	1	PARTS FOR UA-40SMC				81	910-332-0	LED Lamp Assembly	1
43	945-117-0	Allen Head Bolt M5 x 16	4	08	17H-210-2	Reverse Valve	1	85	910-263-0	Sensor Cable Assembly 3F5	1
44	948-001-0	Round Head Screw M2.6 x 8	2	11	18A-285-9	Rear Plate	1	90	939-090-0	Allen Wrench 1.5 / Relief Valve	1
44-1	957-256-0	Cross Head Screw M2 x 5	2	PARTS FOR UA-50SMC				92	940-114-0	Air Hose Nipple NPT1/4 x 3/8	1
								101	909-749-0	Solenoid Valve Assembly	1



10000 SE PINE
PORTLAND, OR 97216
503-254-6600
FAX 503-255-2615

When ordering spare parts, please specify
tool type, part number, and description.

FOOTNOTES