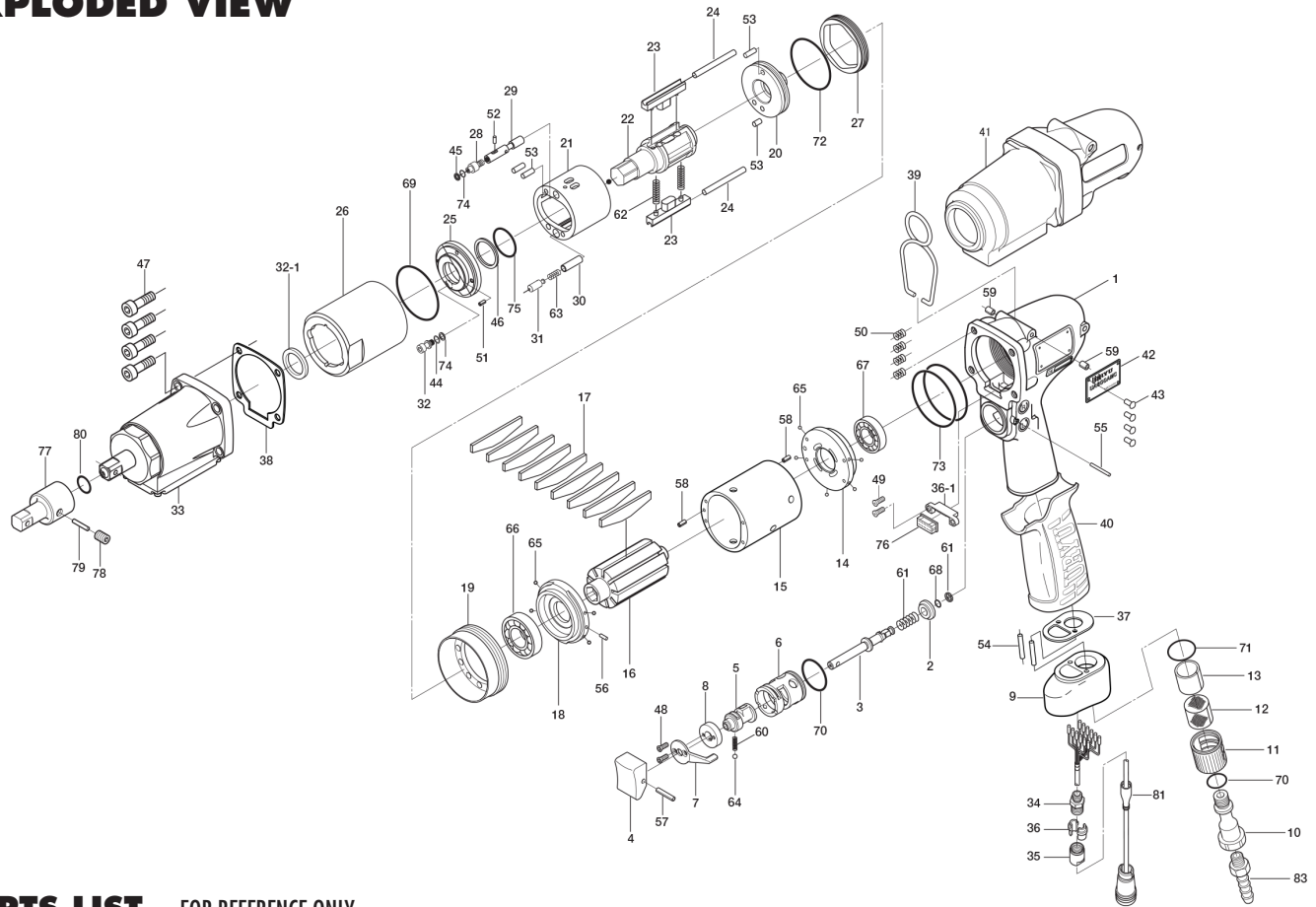


UA-900AMC OIL-PULSE WRENCH

EXPLODED VIEW



PARTS LIST — FOR REFERENCE ONLY

Index Number	Part Number	Description	Qty.	Index Number	Part Number	Description	Qty.	Index Number	Part Number	Description	Qty.
1	17G-025-8	Handle	1	31	17E-276-9	Pressure Valve Body	1	60	976-006-0	Spring (3 x 5)	1
2	147-100-8	Valve	1	32	194-742-3	Oil Plug	1	61	976-643-0	Spring (3.7 x 31)	1
3	17E-104-9	Valve Rod	1	33	17G-975-8	Sensor Casing Assembly S08SR	1	62	976-794-0	Spring (3 x 13.3)	2 ●
4	147-107-2	Valve Lever	1	34	149-079-2	Connector	1	63	976-991-0	Spring (3.5 x 15.6)	1 ●
5	147-210-8	Reverse Valve	1	35	149-018-2	Cap	1	64	981-002-0	Ball (1/8)	1
6	147-211-8	Reverse Valve Bushing	1	36	149-562-2	Stopper	2	65	981-045-0	Ball (1/5)	8
7	147-212-8	Reverse Lever	1	36-1	911-019-0	Connector Cover	1	66	982-903-0	Ball Bearing (6902)	1 ■
8	17E-213-9	Reverse Valve Spacer	1	37	17G-850-8	Handle Packing	1	67	982-949-0	Ball Bearing (16001)	1 ■
9	17G-035-8	Handle Connector	1	38	17G-867-8	Front Casing Packing	1 ■	68	990-306-0	O-Ring (APR-568-004)	1
10	17G-091-8	Air Inlet Bushing	1	39	174-790-0	Suspension Ring	1	69	990-337-0	O-Ring (JW-1530-27)	1 ●
11	147-780-9	Exhaust Stack	1	40	17D-842-3	Handle Cover	1	70	990-914-0	O-Ring (SNS-16)	2
12	147-042-8	Silencer	1	41	17G-840-8	Casing Protector	1	71	990-919-0	O-Ring (SNS-22)	1
13	147-835-8	Filter (K200)	1 ■	42	17G-924-8	Metal Tag (UA900AMC)	1	72	990-924-0	O-Ring (SNS-30)	1 ●
14	143-285-9	Rear Plate	1	43	930-205-0	Driver Rivet	4	73	990-932-0	O-Ring (SNS-42)	2 ■
15	143-286-9	Cylinder	1	44	944-003-0	Back-up Ring (3 x 5 x 1)	1 ●	74	990-970-0	O-Ring (SNS-2)	2 ●
16	147-287-8	Rotor	1	45	944-203-0	Back-up Ring (3.1 x 5 x 1)	1 ●	75	992-021-0	SU-Ring (Q16)	1 ●
17	147-288-8	Blade	9 ■	46	944-215-0	Back-up Ring (16 x 19.9 x 1.5)	1 ●	76	910-335-0	Double-Row Socket	1
18	143-289-9	Front Plate	1	47	945-117-0	Allen Head Bolt (M5 x 16)	4	77	904-190-0	Extension Bar (1/2 x 60)	1
19	17G-036-8	Hammer Casing Connector	1	48	948-424-0	Allen Flush Head Screw (M3 x 8)	2	78	953-205-0	Allen Head Screw (M5 x 5)	1
20	17E-901-9	Rear Liner Plate	1	49	957-256-0	Cross Flush Head Screw (M2 x 5)	2	79	971-220-0	Pin (3 x 20)	1
21	18F-902-5	Liner	1	50	965-011-0	Heli-vert (M5 x 1.5D)	4	80	990-016-0	O-Ring (P-16)	1
22	17E-319-9	Anvil	1	51	969-449-0	Pin (G)(3 x 6)	1				
23	147-440-9	Driving Blade	2	52	970-091-0	Pin (H)(2 x 4.5)	1				
24	147-974-8	Roller (2.5 x 30)	2	53	970-205-0	Pin (H)(3 x 7)	4				
25	18F-904-5	Front Liner Plate	1	54	970-206-0	Pin (H)(3 x 8)	2				
26	147-905-8	Liner Casing	1	55	971-125-0	Pin (2 x 25)	1				
27	147-906-8	Liner Casing Cover	1	56	973-006-0	Roll Pin (2 x 4)	1				
28	174-907-2	Relief Valve Spindle	1	57	973-014-0	Roll Pin (2 x 14)	1				
29	17E-970-9	Relief Valve	1	58	973-068-0	Roll Pin (2.5 x 8)	2				
30	18F-274-8	Pressure Valve Spring Collar	1	59	973-308-0	Roll Pin (5 x 8)	2				

ACCESSORIES

81	910-319-0	Joint Cable Assembly	1
82	939-091-0	Allen Wrench (1/5)	1
83	940-114-0	Air Hose Nipple (NPTI/4 x 3/8)	1
84	910-263-0	Sensor Cable Assembly (3F5)	1
85	911-023-0	Encoder Cable Assembly	1
86	909-749-0	Solenoid Valve Assembly	1

FOOTNOTES

- = Items in Pulse Repair Kit UA-900AMC-PRK
- = Items in Repair Kit UA-900AMC-RK



10000 SE PINE
PORTLAND, OR 97216
503-254-6600
FAX 503-255-2615

When ordering spare parts, please specify
tool type, part number, and description.