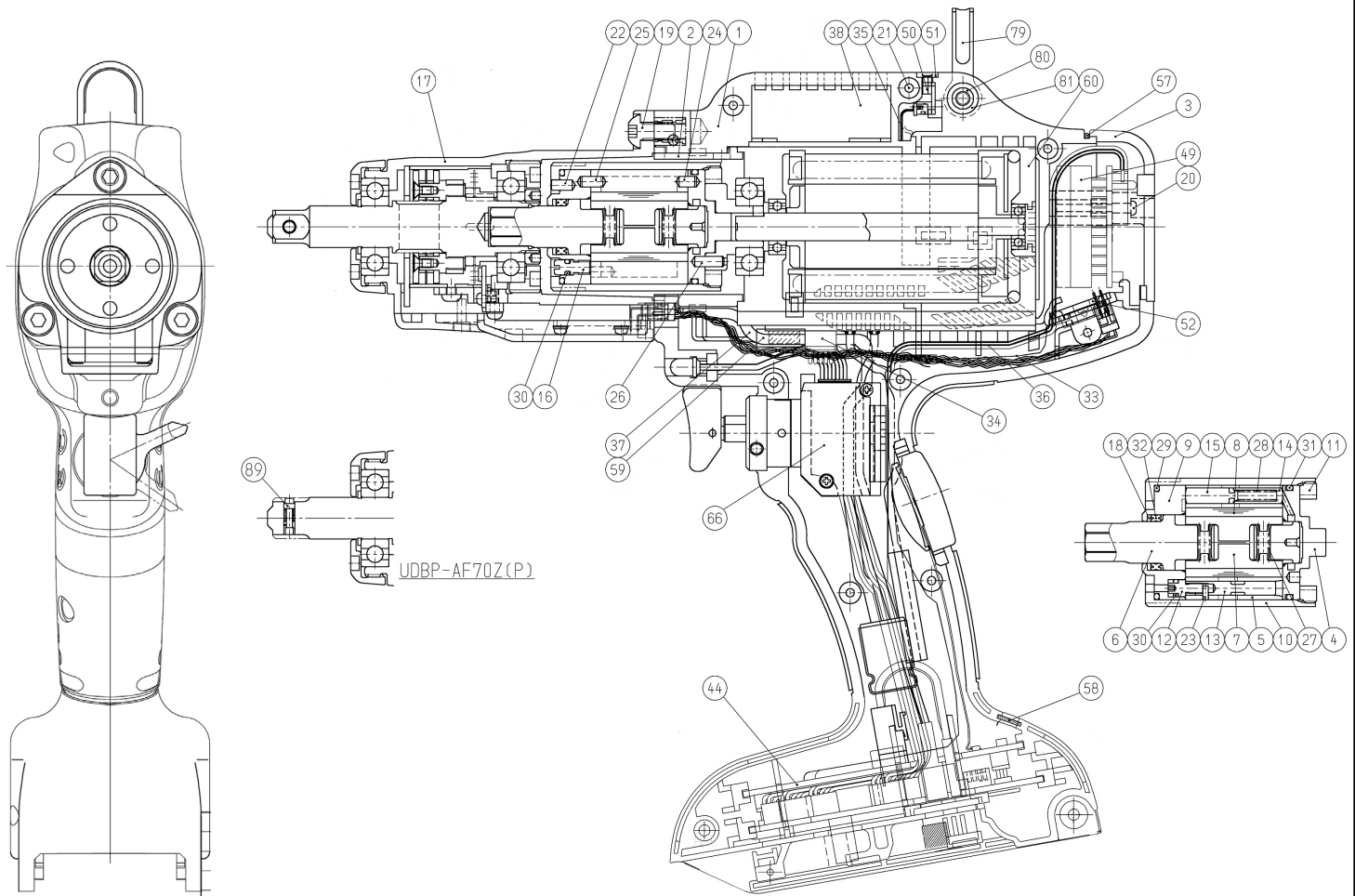


# UDBP-AF70Z(P) TRANSDUCERIZED BATTERY PULSE TOOL WITH ZIGBEE FEATURE

## EXPLODED VIEW



## PARTS LIST — FOR REFERENCE ONLY

Index Number	Part Number	Description	Qty.	Index Number	Part Number	Description	Qty.	Index Number	Part Number	Description	Qty.
1	09C-025-4	Handle (R & L)	1	21	963-253-0	Tapping Screw 3 x 16	10	50	910-377-0	Transmission Board Assembly (RS232C Output)	1
2	09C-255-4	Regulator Tube	1	22	969-449-0	Pin (G) 3 x 6	1	51	910-378-0	Transmission Board Cover	1
3	09B-012-4	Head Cover	1	23	970-013-0	Pin (H) 1.5 x 4	1	52	910-380-0	Sensor Relay Board	1
4	09C-901-4	Rear Liner Plate	1	24	970-202-0	Pin (H) 3 x 4.5	2	57	910-390-0	Elastomer Tube 155 mm	1
5	18E-902-3	Liner	1	25	970-204-0	Pin (H) 3 x 6	2	58	910-404-0	Power Indicator Cover	1
6	851-982-1	Anvil	1	26	972-089-0	Roller Pin 3 x 8	4	59	910-379-0	Motor Connector Cover	1
7	147-440-6	Driving Blade	2	27	976-788-0	Spring 3.5 x 25 (0.45) WPC	2	60	910-679-0	Motor fitted with LED (L = 50)	1
8	147-974-6	Roller 2.5 x 28	2	28	976-755-0	Spring 3 x 13.3 (0.5)	1	66	09B-174-4	Switch Assembly	1
9	18E-904-3	Front Liner Plate	1	29	990-334-0	O-Ring JW1530-24	1	89	891-300-1	Socket Retainer Pin	1
10	17E-905-0	Liner Casing	1	30	990-970-0	O-Ring SNS-2 (NOK)	2				
11	147-906-6	Liner Casing Cover	1	31	990-923-0	O-Ring SNS-26	1	<b>ACCESSORIES</b>			
12	174-907-2	Relief Valve Spindle	1	32	991-030-0	X-Ring X12	1	17-1	863-992-1	Casing Cover	1
13	17E-970-0	Relief Valve	1	33	910-439-0	Sensor Cable Assembly (FFC)	1	74	939-091-0	Allen Spanner 1.5 (80 x 20)	1
14	18F-274-2	Pressure Regulator Valve Body Spring Holder	1	34	910-440-0	Motor Transmission Cable Assembly	1	<b>OPTIONS</b>			
15	080-276-6	Pressure Regulator Valve Body	1	35	910-444-0	Transmission Cable Assembly (RS232C)	1	Suspension			
16	194-742-0	Oil Plug	1	36	910-441-0	ZigBee Cable Assembly	1	79	136-790-7	Suspension Ring	1
17	09C-975-4	Sensor Casing Assembly (AD06S)	1	37	910-442-0	Coaxial Cable	1	80	136-791-7	Suspension Plate	1
18	944-213-0	Supporting Ring 12 x 16 x 1	1	38	910-385-0	Fan Assembly	1	81	945-941-0	Bolt M4 x 5	2
19	945-980-0	Bolt M5 x 12 (K2.5)	3	44	910-369-0	Controller Board Assembly	1				
20	957-042-0	Screw M2.5 x 16	2	49	910-374-0	ZigBee Board Assembly	1				

## FOOTNOTES



10000 SE PINE  
PORTLAND, OR 97216  
503-254-6600  
FAX 503-255-2615

When ordering spare parts, please specify tool type, part number, and description.