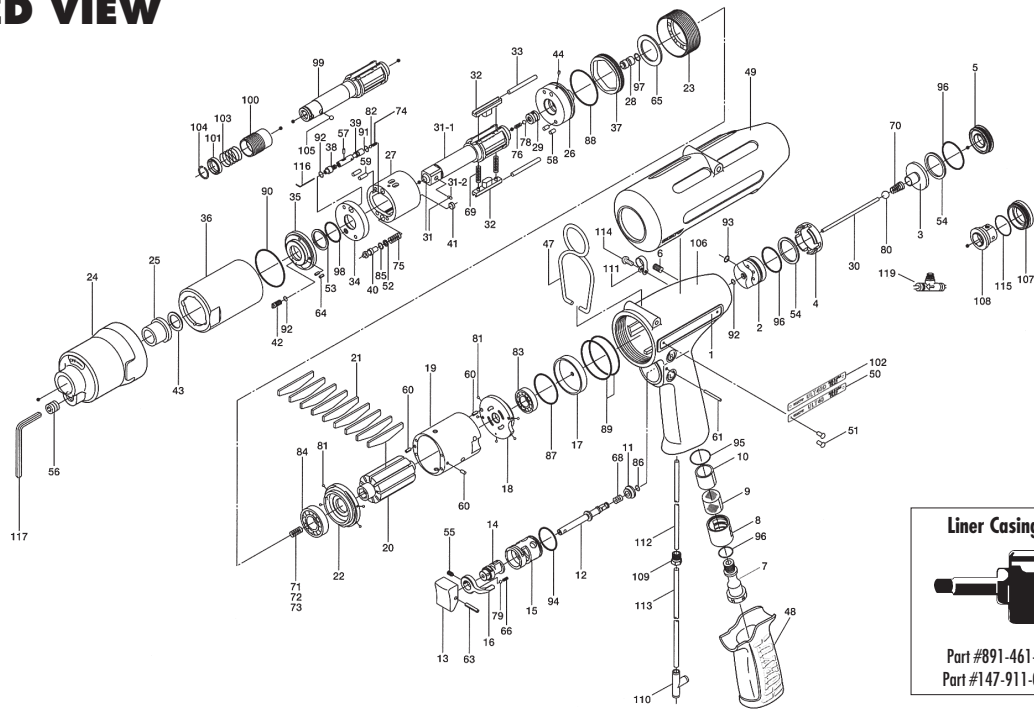


# ULT-40, ULT-40D SERIES OIL-PULSE WRENCHES

## EXPLODED VIEW



### Liner Casing Assembly



Part #891-461-1 (for ULT-40)  
Part #147-911-0 (for ULT-40D)

## PARTS LIST — FOR REFERENCE ONLY

Index Number	Part Number	Description	Qty.	Index Number	Part Number	Description	Qty.	Index Number	Part Number	Description	Qty.
1	188-025-2	Handle	1	42	194-742-0	Oil Plug	1	84	982-902-0	Ball Bearing (6901)	1
2	145-253-0	Shut-off Valve Bushing	1	43	145-327-7	Anvil Front Spacer	1	85	990-320-0	O-Ring (ARP568-003)	1
3	145-254-6	Shut-off Valve	1	44	150-064-5	Plug	1	86	990-306-0	O-Ring (APR568-004H)	1
4	145-684-6	Cushion Spacer	1	47	174-790-0	Suspension Ring	1	87	990-327-0	O-Ring (JW1530-18)	1
5	145-019-6	Valve Cover	1	48	147-842-2	Handle Cover	1	88	990-329-0	O-Ring (JW1530-19)	1
6	150-108-5	Valve Plug	1	49	145-840-7	Casing Cover	1	89	990-337-0	O-Ring (JW1530-27)	2
7	147-091-2	Air Inlet Bushing	1	50	148-924-0	Name Plate	1	90	990-605-0	O-Ring (25 x 1.45)	1
8	147-780-3	Exhaust Stack	1	51	930-205-0	Pin (No.0 x 2.6)	2	91	990-621-0	O-Ring (3.8 x 1.8 x 1.0)	1
9	147-042-2	Silencer	1	52	944-002-0	Support Ring (2.6 x 4.5 x 1)	1	92	990-900-0	O-Ring (SNS-2)	3
10	147-835-3	Filter (K200)	1	53	944-212-0	Support Ring (12 x 16 x 1.5)	1	93	990-901-0	O-Ring (SNS-3)	1
11	147-100-2	Valve	1	54	944-217-0	Support Ring (14 x 20 x 1.8)	2	94	990-912-0	O-Ring (SNS-14)	1
12	142-104-6	Valve Rod	1	55	952-106-0	Allen Head Dog Point Screw (M4 x 6)	1	95	990-914-0	O-Ring (SNS-16)	1
13	147-107-2	Valve Lever	1	56	966-099-0	Allen Head Plug (NPT1/16) GDL	1	96	990-916-0	O-Ring (SNS-18)	3
14	147-210-2	Reverse Valve	1	57	970-013-0	Pin (H) (1.5 x 4)	1	97	990-305-0	O-Ring (ARP568-003KS)	1
15	147-211-2	Reverse Valve Bushing	1	58	970-130-0	Pin (H) (2.45 x 4.5)	2	98	992-020-0	SU-Ring (012) NTN	1
16	09B-212-5	Reverse Lever	1	59	970-131-0	Pin (H) (2.45 x 9.5)	2	99	145-350-2	Driver Anvil	1
17	145-291-7	Rear Plate Spacer	1	60	971-102-0	Pin (2 x 3.8)	1	<b>PARTS FOR ULT-40D</b>			
18	145-285-6	Rear Plate	1	61	971-123-0	Pin (2 x 23)	1	100	011-351-1	Bit Sleeve (1/8)	1
19	147-286-0	Cylinder	1	62	973-008-0	Roll Pin (2 x 8)	2	101	011-352-1	Bit Spacer	1
20	145-287-0	Rotor	1	63	973-014-0	Roll Pin (2 x 14)	1	102	147-924-0	Name Plate	1
21	145-288-0	Blade (PC)	9	64	973-040-0	Roll Pin (1.5 x 5)	2	103	976-327-0	Spring (13.5 x 11 x 0.9)	1
22	145-289-6	Front Plate	1	65	975-752-0	Adjusting Spacer (15 x 10 x t)	1	104	978-117-0	Snap Ring (11.7 x 1)	1
23	147-036-2	Hammer Casing Connector	1	66	976-006-0	Spring (3 x 5 x 0.4)	1	105	981-002-0	Ball (1/8)	1
24	145-439-0	Front Casing	1	68	976-457-0	Spring (7 x 12 x 0.9)	1	<b>PARTS FOR (TM) TYPE</b>			
25	190-328-6	Anvil Bushing	1	69	976-791-0	Spring (3.3 x 21 x 0.4) WPC	2	106	851-030-1	Handle	1
26	145-901-0	Rear Liner Plate	1	70	977-041-0	Cone Spring (3.9 x 4.5 x 9 x 0.35)	1	107	851-017-1	Valve Cover	1
27	145-902-0	Liner	1	71	976-650-0	Spring (3.3 x 16 x 0.45) [Standard]	1	108	851-050-1	Valve Spacer	1
28	145-546-6	Piston	1	72	976-661-0	Spring (3.3 x 17 x 0.4) Black [Weak]	1	109	850-610-1	Connecting Screw	1
29	145-929-6	Check Valve Cover	1	73	976-684-0	Spring (3.3 x 17 x 0.35) [Weaker]	1	110	909-442-0	Quick Exhaust (AQ240F-04-00)	1
30	145-130-0	Operating Rod (2.1 x 51.2)	1	74	976-682-0	Spring (2.8 x 7.2 x 0.35)	1	111	929-050-0	Coupling (Dia. 3)	1
31	891-554-1	Anvil Assembly (P)	1	75	976-674-0	Spring (4.3 x 14 x 0.55)	1	112	935-240-0	Nylon Tube (18NY)	1
31-1	145-319-0	Anvil (O)	1	76	976-651-0	Spring (2.4 x 5 x 0.23)	1	113	935-350-0	Polyurethane Hose (F-1504)	1
31-2	891-300-1	Socket Pin Assembly	1	78	981-001-0	Ball (3/32)	1	114	957-006-0	Cross Pan Head Screw (M3 x 6)	1
32	145-440-0	Driving Blade	2	79	981-002-0	Ball (1/8)	1	115	990-916-0	O-Ring (SNS-18)	1
33	145-974-0	Roller (2.5 x 21)	2	80	981-003-0	Ball (5/32)	1	<b>ACCESSORIES</b>			
34	145-973-6	Liner Casing Spacer	1	81	981-045-0	Ball (1.5)	9	116	939-091-0	Allen Wrench (1.5 x 80 x 20)	1
35	145-904-6	Front Liner Plate	1	82	144-270-0	Pressure Control Valve	1	117	939-105-0	Allen Wrench (4)	1
36	145-905-0	Liner Casing	1	83	982-014-0	Ball Bearing (607)	1	119	909-449-0	Speed Controller (AS1001F-04)	1
37	145-906-6	Liner Casing Cover	1								
38	145-907-6	Relief Valve Spindle	1								
39	144-970-0	Relief Valve	1								
40	145-972-6	Accumulator	1								
41	145-908-7	Accumulator Cover	1								



10000 SE PINE  
PORTLAND, OR 97216  
503-254-6600  
FAX 503-255-2615

When ordering spare parts, please specify tool type, part number, and description.

### FOOTNOTES

- = Items in Pulse Repair Kit ULT-40D-PRK
- = Items in Repair Kit ULT-40D-RK