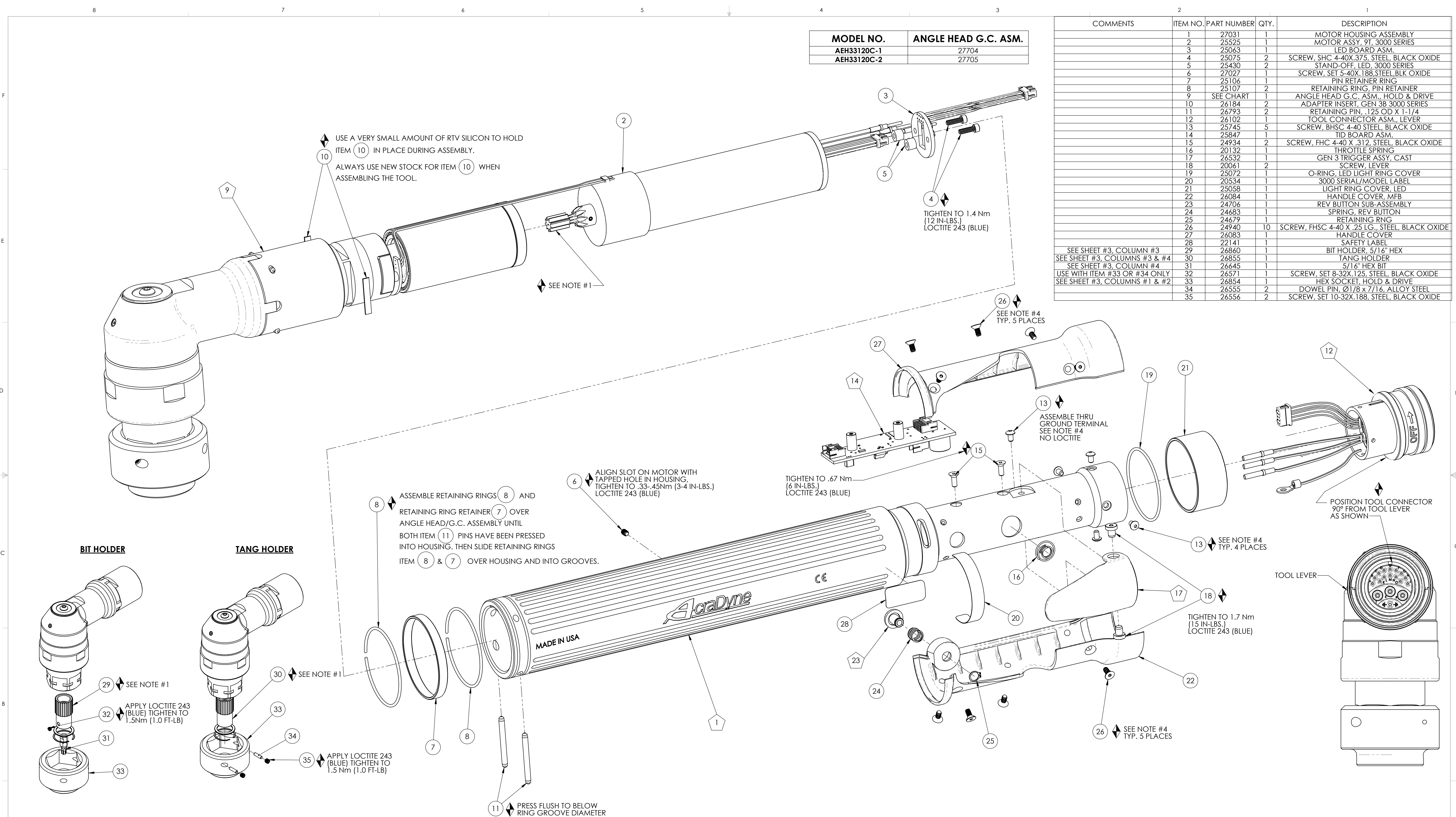


MODEL NO.	ANGLE HEAD G.C. ASM.
AEH33120C-1	27704
AEH33120C-2	27705

COMMENTS	ITEM NO.	PART NUMBER	QTY.	DESCRIPTION
	1	27031	1	MOTOR HOUSING ASSEMBLY
	2	25525	1	MOTOR ASSY. 9T, 3000 SERIES
	3	25043	1	LED BOARD ASM.
	4	25075	2	SCREW, SHC 4-40X.375, STEEL, BLACK OXIDE
	5	25430	2	STAND-OFF, LED, 3000 SERIES
	6	27027	1	SCREW, SET 5-40X.188, STEEL, BLK OXIDE
	7	25106	1	PIN RETAINER RING
	8	25107	2	RETAINING RING, PIN RETAINER
	9	SEE CHART	1	ANGLE HEAD G.C. ASM., HOLD & DRIVE
	10	26184	2	ADAPTER INSERT, GEN 3B 3000 SERIES
	11	26793	2	RETAINING PIN, .125 OD X 1-1/4
	12	26102	1	TOOL CONNECTOR ASM., LEVER
	13	25745	5	SCREW, BHSC 4-40 STEEL, BLACK OXIDE
	14	25847	1	TID BOARD ASM.
	15	24934	2	SCREW, FHC 4-40 X .312, STEEL, BLACK OXIDE
	16	20132	1	THROTTLE SPRING
	17	26532	1	GEN 3 TRIGGER ASSY, CAST
	18	20061	2	SCREW, LEVER
	19	25072	1	O-RING, LED LIGHT RING COVER
	20	20534	1	3000 SERIAL/MODEL LABEL
	21	25058	1	LIGHT RING COVER, LED
	22	26084	1	HANDLE COVER, MFB
	23	24706	1	REV BUTTON SUB-ASSEMBLY
	24	24683	1	SPRING, REV BUTTON
	25	24679	1	RETAINING RING
	26	24940	10	SCREW, FHSC 4-40 X .25 LG., STEEL, BLACK OXIDE
	27	26083	1	HANDLE COVER
	28	22141	1	SAFETY LABEL
	29	26860	1	BIT HOLDER, 5/16" HEX
SEE SHEET #3, COLUMN #3	30	26855	1	TANG HOLDER
SEE SHEET #3, COLUMNS #3 & #4	31	26645	1	5/16" HEX BIT
SEE SHEET #3, COLUMN #4	32	26571	1	SCREW, SET 8-32X.125, STEEL, BLACK OXIDE
USE WITH ITEM #33 OR #34 ONLY	33	26854	1	HEX SOCKET, HOLD & DRIVE
SEE SHEET #3, COLUMNS #1 & #2	34	26555	2	DOWEL PIN, Ø1/8 x 7/16, ALLOY STEEL
	35	26556	2	SCREW, SET 10-32X.188, STEEL, BLACK OXIDE



REQUIRED TOOLING
LOCTITE 243 (BLUE)
1/16 HEX WRENCH
5/64 HEX WRENCH
3/32 HEX WRENCH
SNAP RING PLIERS - EXTERNAL TYPE

- ◆ ASSEMBLY INSTRUCTIONS
 ◊ SUB-ASSEMBLY
- GEARS & SPLINES: LUBRICATE WITH DOW CORNING MOLYKOTE BR2 PLUS GREASE.
 - BEARINGS: LUBRICATE WITH CHEVRON SR1 GREASE
 - O-RINGS: LUBRICATE WITH O-RING LUBE
 - TIGHTEN TO 1 NM (9 IN.-LBS.) LOCTITE 243 (BLUE)



DOCUMENT CONTROL
 PRINTED COPIES OF THIS DOCUMENT ARE CONSIDERED TO BE UNCONTROLLED DOCUMENTS. HOLDERS ARE RESPONSIBLE FOR VERIFYING THE CURRENT REVISION LEVEL WITH PURCHASING OR ENGINEERING PRIOR TO USE OR FABRICATION. THE CONTROLLED VERSION OF THIS DOCUMENT IS ELECTRONICALLY MAINTAINED.

PROPRIETARY AND CONFIDENTIAL
 THIS DRAWING CONTAINS INFORMATION STRICTLY CONFIDENTIAL TO ACRADYNE/AIMCO. IN THE ABSENCE OF EXPRESSED WRITTEN PERMISSION, ACRADYNE/AIMCO HAS LOANED THIS COPY WITH THE MUTUAL UNDERSTANDING THAT (A) IT WILL NOT BE USED FOR ANY PURPOSE OTHER THAN FOR THAT IN WHICH IT WAS PROVIDED, (B) THE DATA CONTAINED HEREIN WILL NOT BE DISCLOSED TO OTHERS, (C) IT WILL NOT BE REPRODUCED, AND (D) IT WILL BE RETURNED TO ACRADYNE/AIMCO IMMEDIATELY UPON DEMAND.

REVISION LEVEL	REVISION RELEASE DATE	DESCRIPTION OF CHANGES MADE TO PART	ECN #	AUTHOR / APPROVAL
REVISION BLOCK				

UNLESS OTHERWISE SPECIFIED, DIMENSIONS ARE IN INCHES
 DIMENSIONS AND TOLERANCING PER ANSI Y14.5
 SURFACE ROUGHNESS PER ANSI Y14.36

BLOCK TOLERANCING PER DECIMAL:
 X = ±.030 XX = ±.010 XXX = ±.005 .XXXX = ±.0005
 ANGLE = ±0°30'

REMOVE BURRS AND SHARP EDGES: R.015 MAX
 MACHINE SURFACE FINISH: 125 RMS OR BETTER

DRAWINGS AND TECHNICAL DOCUMENTS CONTROLLED BY:
ACRADYNE MECHANICAL ENGINEERING

AEH33120C- H & D ANGLE NUTRUNNER 3000 SERIES - GEN 3C		
SIZE D	PART / DRAWING NUMBER AEH33120C-__	REVISION B
SCALE 1:1	DO NOT SCALE DRAWING	SHEET 1 OF 3

BASE MODEL	DOT	SOCKET BASE	COLUMN 1	SOCKET SIZE	COLUMN 2	HOLDER BASE	COLUMN 3	HOLDER SIZE	COLUMN 4
AEH33120C-	.	X	SOCKET TYPE & EXTENSION	X	HEX SIZE	X	TANG/BIT HOLDER & EXTENSION	X	SIZE
			26854 - HEX SOCKET				26860 - BIT HOLDER		
	A		SINGLE HEX (NO EXTENSION)	A	16mm	A	5/16" BIT, NO EXTENSION	A	6mm
	B		SINGLE HEX (3mm EXTENDED)	B	18mm	B	5/16" BIT, 3mm EXTENDED	B	7mm
	C		SINGLE HEX (9mm EXTENDED)	C	19mm	C	5/16" BIT, 9mm EXTENDED	C	8mm
	D		SINGLE HEX (12mm EXTENDED)	D	20mm	D	5/16" BIT, 12mm EXTENDED	D	9mm
	E		SINGLE HEX (24mm EXTENDED)	E	21mm	E	5/16" BIT, 24mm EXTENDED	E	10mm
				F	22mm			F	3/16"
	F		SURFACE DRIVE (NO EXTENSION)	G	23mm		26855 - FEMALE TANG HOLDER	G	1/4"
	G		SURFACE DRIVE (3mm EXTENDED)	H	24mm	F	HEX, NO EXTENSION	H	5/16"
	H		SURFACE DRIVE (9mm EXTENDED)	I	26mm	G	HEX, 3mm EXTENDED	I	3/8"
	J		SURFACE DRIVE (12mm EXTENDED)	J	27mm	H	HEX, 9mm EXTENDED	J	T25
	K		SURFACE DRIVE (24mm EXTENDED)	K	30mm	I	HEX, 12mm EXTENDED	K	T30
				L	32mm	J	HEX, 24mm EXTENDED	L	T40
	L		DOUBLE HEX (NO EXTENSION)	M	5/8"			M	T50
	M		DOUBLE HEX (3mm EXTENDED)	N	3/4"	K	TORX, NO EXTENSION	N	E8
	N		DOUBLE HEX (9mm EXTENDED)	O	13/16"	L	TORX, 3mm EXTENDED	O	E10
	P		DOUBLE HEX (12mm EXTENDED)	P	7/8"	M	TORX, 9mm EXTENDED	P	E12
	Q		DOUBLE HEX (24mm EXTENDED)	Q	15/16"	N	TORX, 12mm EXTENDED	Q	E14
				R	1"	P	TORX, 24mm EXTENDED	R	E16
				S	1-1/16"			S	5 x 6
				T	1-1/8"	Q	D-TYPE, NO EXTENSION	T	5 x 8
				U	1-3/16"	R	D-TYPE, 3mm EXTENDED	U	6 x 8
				V	1-1/4"	S	D-TYPE, 9mm EXTENDED	V	6.4 x 8
				W	15mm	T	D-TYPE, 12mm EXTENDED	W	TBD
				X		U	D-TYPE, 24mm EXTENDED	X	5mm
				Y		V		Y	
				Z		W		Z	
						X		1	8.1x10.2
						Y			
						Z			

****EXAMPLE MODEL NUMBER:** AEH33120C-1.CDCH = 1" TRAVEL, SINGLE HEX EXT. 9mm, 20mm HEX, 5/16" BIT HOLDER EXT. 9mm WITH 5/16" HEX BIT



DOCUMENT CONTROL
 PRINTED COPIES OF THIS DOCUMENT ARE CONSIDERED TO BE UNCONTROLLED DOCUMENTS. HOLDERS ARE RESPONSIBLE FOR VERIFYING THE CURRENT REVISION LEVEL WITH PURCHASING OR ENGINEERING PRIOR TO USE OR FABRICATION. THE CONTROLLED VERSION OF THIS DOCUMENT IS ELECTRONICALLY MAINTAINED.

PROPRIETARY AND CONFIDENTIAL
 THIS DRAWING CONTAINS INFORMATION STRICTLY CONFIDENTIAL TO ACRADYNE/AIMCO. IN THE ABSENCE OF EXPRESSED WRITTEN PERMISSION, ACRADYNE/AIMCO HAS LOANED THIS COPY WITH THE MUTUAL UNDERSTANDING THAT (A) IT WILL NOT BE USED FOR ANY PURPOSE OTHER THAN FOR THAT IN WHICH IT WAS PROVIDED, (B) THE DATA CONTAINED HEREIN WILL NOT BE DISCLOSED TO OTHERS, (C) IT WILL NOT BE REPRODUCED, AND (D) IT WILL BE RETURNED TO ACRADYNE/AIMCO IMMEDIATELY UPON DEMAND.

REVISION LEVEL	REVISION RELEASE DATE	DESCRIPTION OF CHANGES MADE TO PART	ECN #	AUTHOR/ APPROVAL
REVISION BLOCK				

UNLESS OTHERWISE SPECIFIED, DIMENSIONS ARE IN INCHES
 DIMENSIONS AND TOLERANCING PER ANSI Y14.5
 SURFACE ROUGHNESS PER ANSI Y14.36

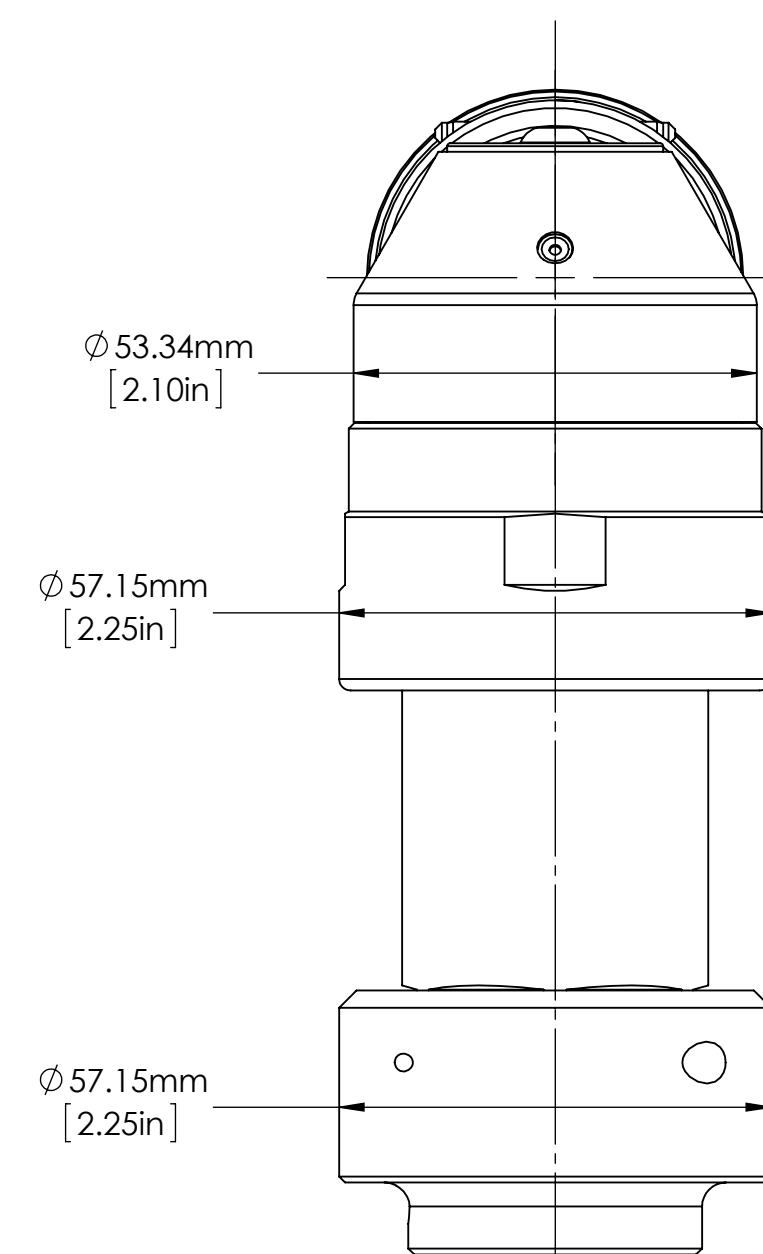
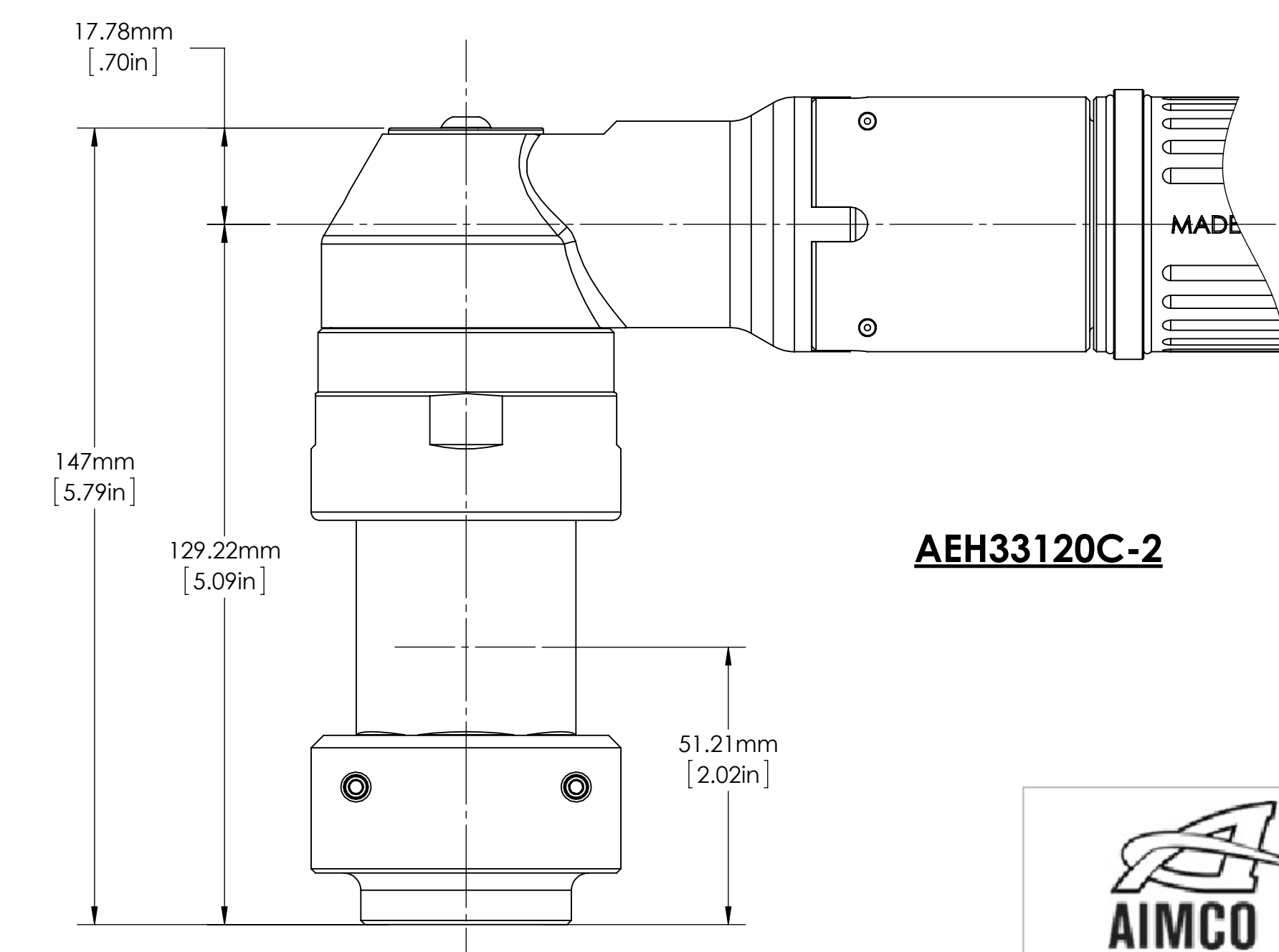
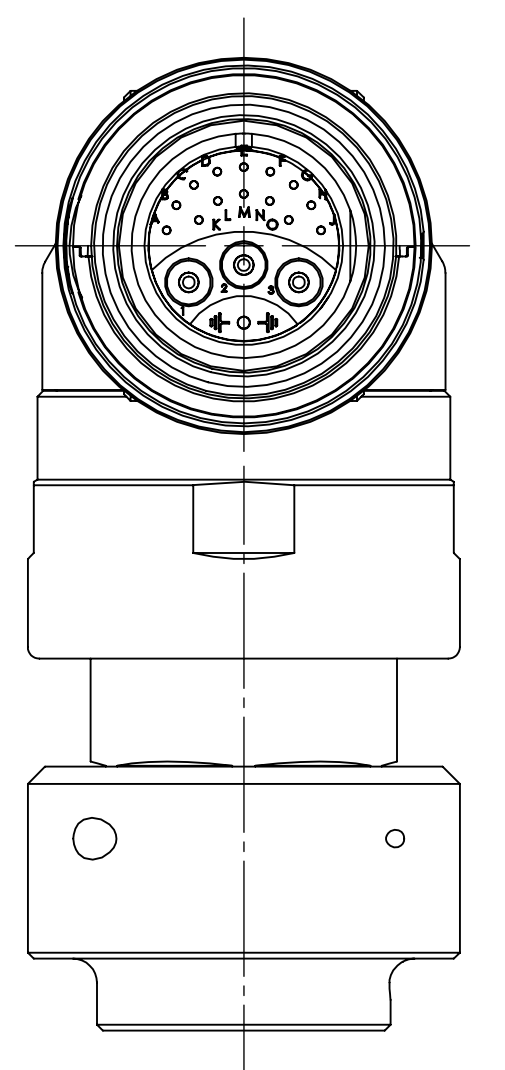
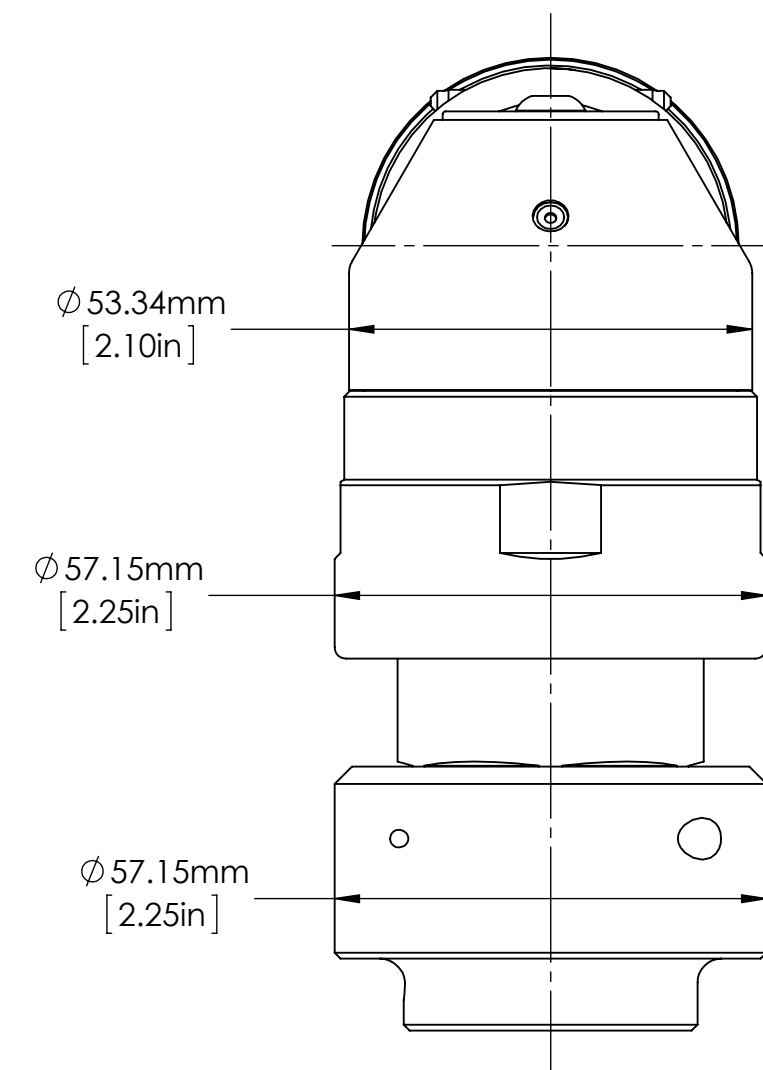
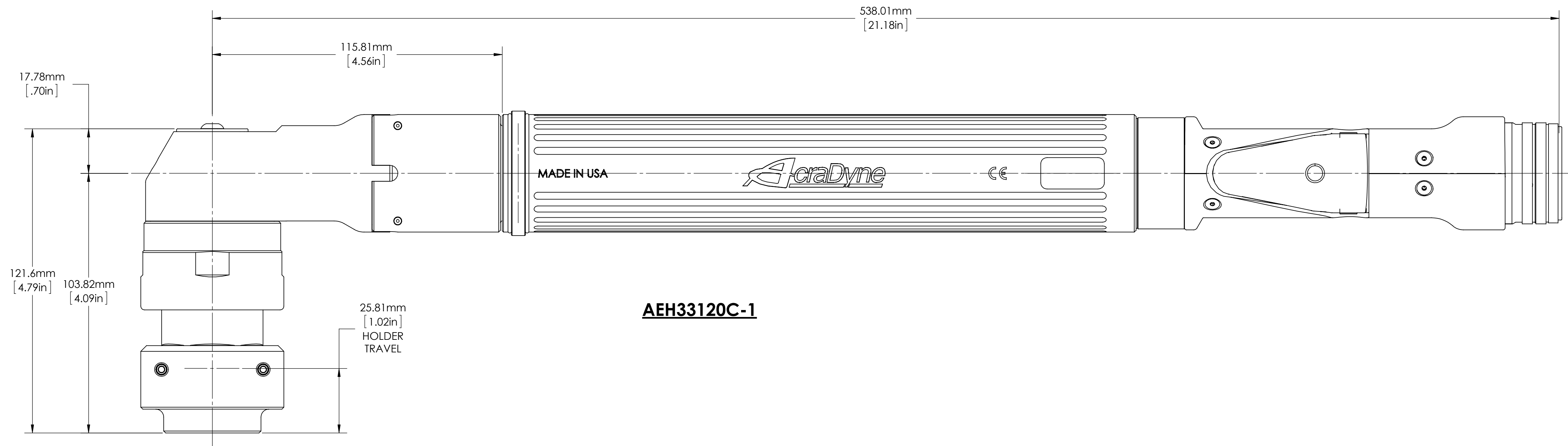
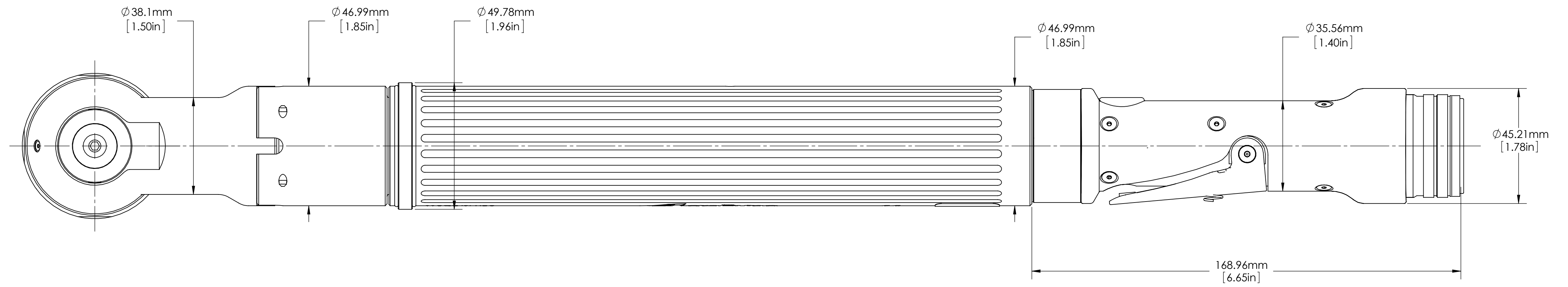
BLOCK TOLERANCING PER DECIMAL:
 .X = ±.030 .XX = ±.010 .XXX = ±.005 .XXXX = ±.0005
 ANGLE = ±0° 30'

REMOVE BURRS AND SHARP EDGES: R.015 MAX
 MACHINE SURFACE FINISH: 125 RMS OR BETTER

DRAWINGS AND TECHNICAL DOCUMENTS CONTROLLED BY:
ACRADYNE MECHANICAL ENGINEERING

AEH32120C- HOLD & DRIVE NUTRUNNER 3000 SERIES, GEN 3C

SIZE B	PART / DRAWING NUMBER AEH33120C-__	REVISION B
SCALE 1:1	DO NOT SCALE DRAWING	SHEET 3 OF 3



DOCUMENT CONTROL
 PRINTED COPIES OF THIS DOCUMENT ARE CONSIDERED TO BE UNCONTROLLED DOCUMENTS. HOLDERS ARE RESPONSIBLE FOR VERIFYING THE CURRENT REVISION LEVEL WITH PURCHASING OR ENGINEERING PRIOR TO USE OR FABRICATION. THE CONTROLLED VERSION OF THIS DOCUMENT IS ELECTRONICALLY MAINTAINED.

PROPRIETARY AND CONFIDENTIAL
 THIS DRAWING CONTAINS INFORMATION STRICTLY CONFIDENTIAL TO ACRADYNE/AIMCO. IN THE ABSENCE OF EXPRESSED WRITTEN PERMISSION, ACRADYNE/AIMCO HAS LOANED THIS COPY WITH THE MUTUAL UNDERSTANDING THAT (A) IT WILL NOT BE USED FOR ANY PURPOSE OTHER THAN FOR THAT IN WHICH IT WAS PROVIDED, (B) THE DATA CONTAINED HEREIN WILL NOT BE DISCLOSED TO OTHERS, (C) IT WILL NOT BE REPRODUCED, AND (D) IT WILL BE RETURNED TO ACRADYNE/AIMCO IMMEDIATELY UPON DEMAND.

REVISION LEVEL	REVISION RELEASE DATE	DESCRIPTION OF CHANGES MADE TO PART	ECN #	AUTHOR/ APPROVAL
REVISION BLOCK				

UNLESS OTHERWISE SPECIFIED, DIMENSIONS ARE IN INCHES
 DIMENSIONS AND TOLERANCING PER ANSI Y14.5
 SURFACE ROUGHNESS PER ANSI Y14.36

BLOCK TOLERANCING PER DECIMAL:
 .X = ±.030 .XX = ±.010 .XXX = ±.005 .XXXX = ±.0005
 ANGLE = ±0° 30'

REMOVE BURRS AND SHARP EDGES: R.015 MAX
 MACHINE SURFACE FINISH: 125 RMS OR BETTER

DRAWINGS AND TECHNICAL DOCUMENTS CONTROLLED BY:
ACRADYNE MECHANICAL ENGINEERING

AEH33120C- TOOL OUTLINE GEN 3C, 3000 SERIES		
SIZE D	PART / DRAWING NUMBER AEH33120C- _	REVISION B
SCALE 1:1	DO NOT SCALE DRAWING	SHEET 2 OF 3