

IEC Logic IO Wiring Adapter with Flyback Diodes

Wiring Instructions

AIMCO Part Number: LIT-MAN179

June 1, 2017

Wire termination kit for connecting to the IEC controller's Logic IO DSub 25M connector (Part Number 27348). The adapter board includes flyback diodes on each of the outputs and is recommended for connection to solenoids, relays, or other inductive loads.

Terminals to IEC Pins mapping (Default IEC Gen 4 Function)

<ul style="list-style-type: none"> • OUT 1: IEC Pin 1, (Accept) • OUT 2: IEC Pin 2, (Reject) • OUT 3: IEC Pin 3, (In Cycle) • OUT 4: IEC Pin 4, (Torque High) • 1-4 COM: IEC Pin 5, (Output 1-4 Common) • IN 1: IEC Pin 6, (Start) • IN 2: IEC Pin 7, (Reverse Direction Select) • IN 3: IEC Pin 8, (Stop) • IN 4: IEC Pin 9, (Select Pset Bit 1) • IN 5: IEC Pin 10, (Select Pset Bit 2) • IN 6: IEC Pin 11, (Select Pset Bit 3) • IN 7: IEC Pin 12, (Reset Job) • IN 8: IEC Pin 13, • GND: IEC Pins 21&22 (DC Return, 0 volts) 	<ul style="list-style-type: none"> • OUT 5: IEC Pin 14, (Toque Low) • OUT 6: IEC Pin 15, (Angle High) • OUT 7: IEC Pin 16, (Angle Low) • OUT 8: IEC Pin 17, (Job Complete) • 5-8 COM: IEC Pin 18,(Output 5-8 Comm.) • EXT 24V:Optional External 24Vdc Supply • GND: IEC Pins 21&22 (DC Return, 0 volts) • GND: IEC Pins 21&22 (DC Return, 0 volts) • GND: IEC Pins 21&22 (DC Return, 0 volts) • +24Vdc power - Source selectable via JP3 • +24Vdc power - Source selectable via JP3 • +24Vdc power - Source selectable via JP3 • +24Vdc power - Source selectable via JP3 • +24Vdc power - Source selectable via JP3
--	--

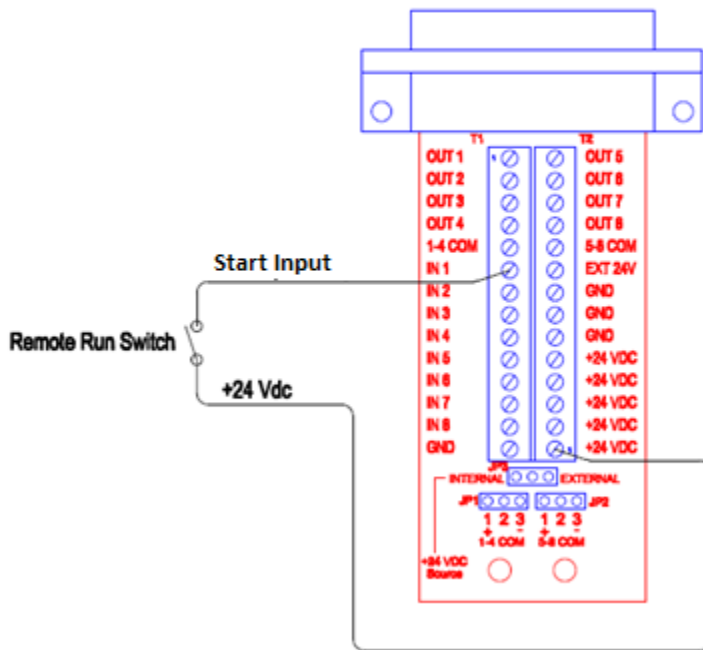
Board Jumpers

<p>JP3: +24Vdc power source selection.</p> <ul style="list-style-type: none"> • Connect 1&2 to use the IEC's internal 24volt power supply.(IEC Pins 23,24, and 25) • Connect 2&3 to use an external 24Volt source.

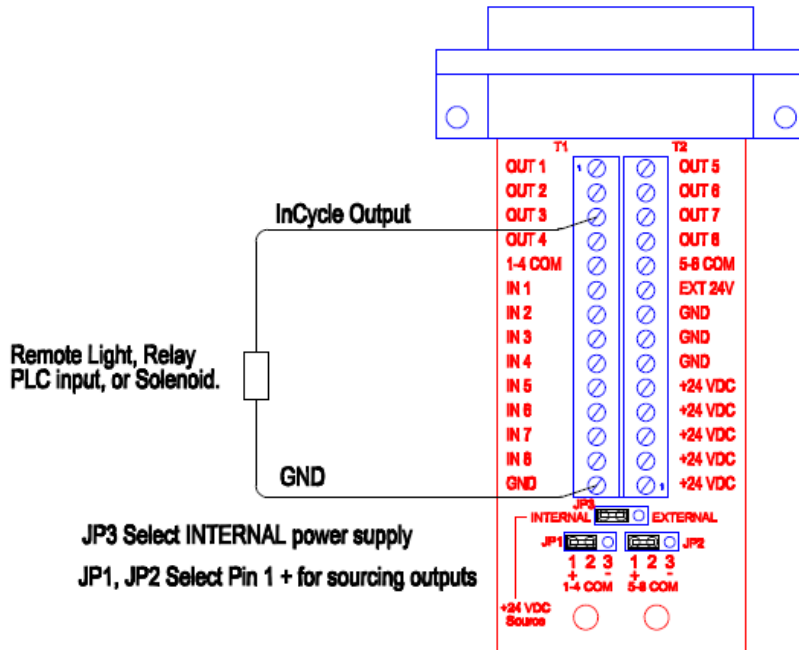
<p>JP1: Outputs 1 - 4 common selection.</p> <ul style="list-style-type: none"> • Connect 1&2 for +24Vdc common. • Connect 2&3 for GND common. 	<p>JP2: Outputs 5 - 8 common selection.</p> <ul style="list-style-type: none"> • Connect 1&2 for +24Vdc common. • Connect 2&3 for GND common.
--	--

Wiring Examples:

LOGIC I/O INPUT CONNECTION EXAMPLE

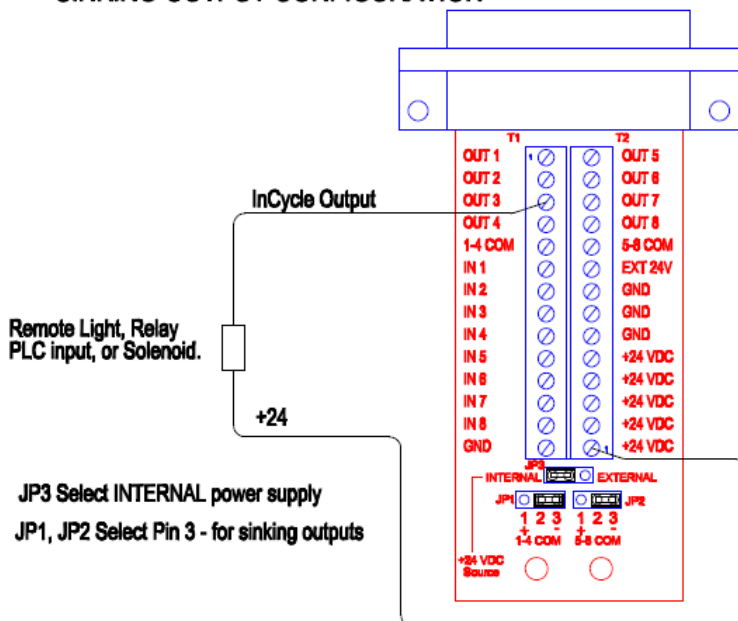


**LOGIC I/O OUTPUT CONNECTION EXAMPLE
USING THE IEC CONTROLLER'S INTERNAL 24 VDC POWER SUPPLY
SOURCING OUTPUT CONFIGURATION**

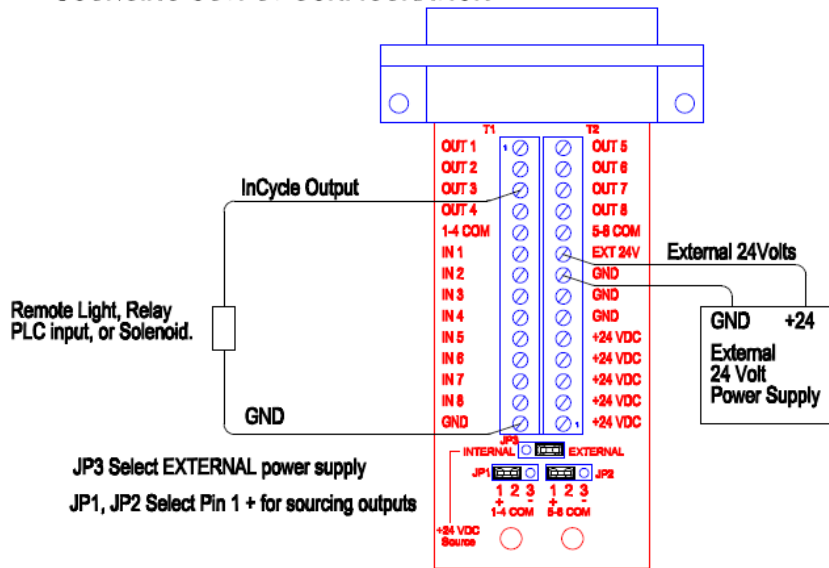


Wiring Examples Continued:

**LOGIC I/O OUTPUT CONNECTION EXAMPLE
USING THE IEC CONTROLLER'S INTERNAL 24 VDC POWER SUPPLY
SINKING OUTPUT CONFIGURATION**

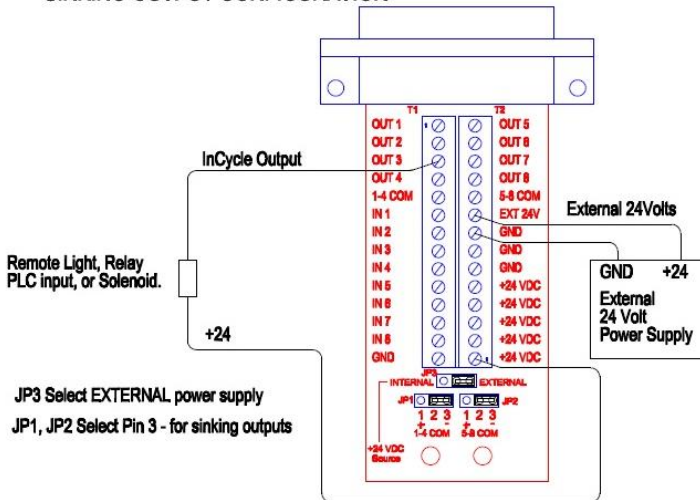


**LOGIC I/O OUTPUT CONNECTION EXAMPLE
USING AN EXTERNAL 24 VDC POWER SUPPLY
SOURCING OUTPUT CONFIGURATION**



Wiring Examples Continued:

**LOGIC I/O OUTPUT CONNECTION EXAMPLE
USING AN EXTERNAL 24 VDC POWER SUPPLY
SINKING OUTPUT CONFIGURATION**



Adapter Board Reference Schematic:

