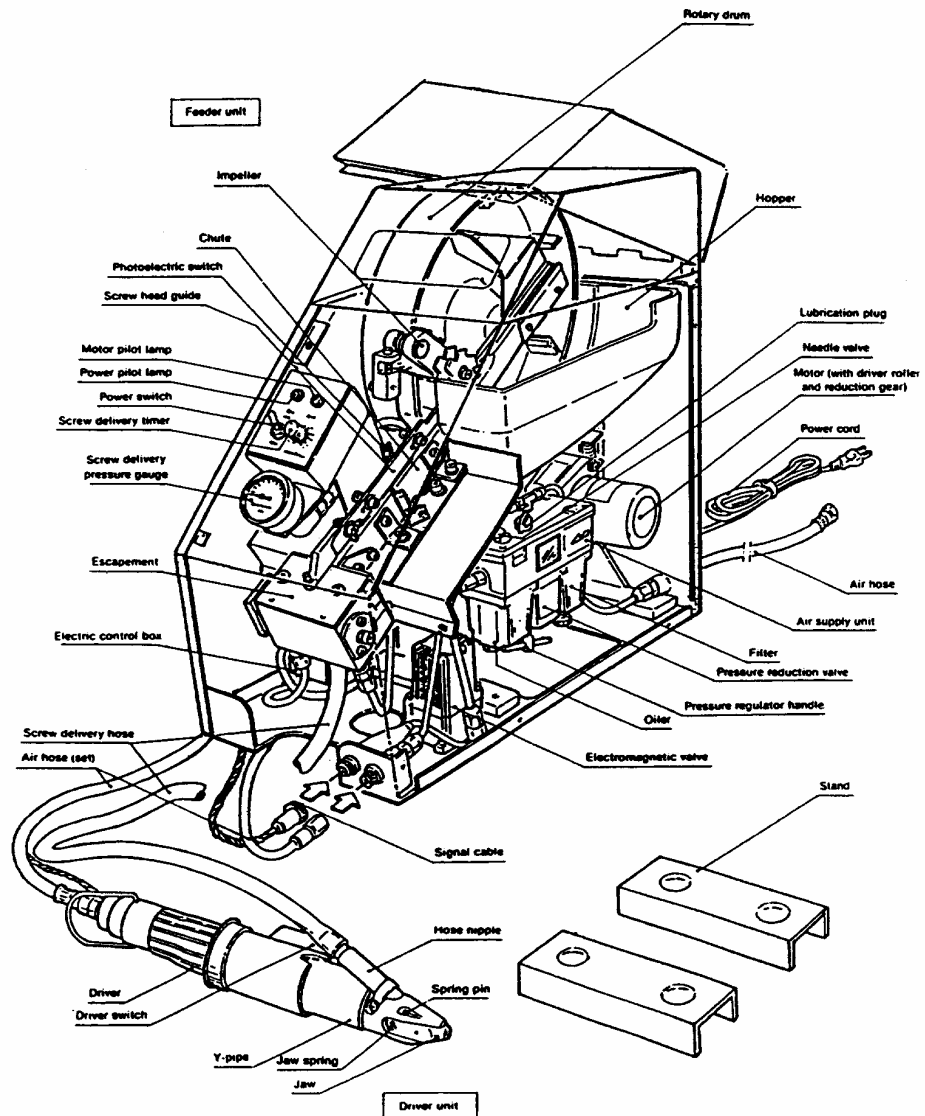




AIMCO

MODEL A100 - PARTS LIST

Revised: December, 2005



ACRA-FEED®

Acra-Feed Parts List

The Acra-Feed is broken down into main component areas. Each area has its own drawing and that drawing is referenced in the full part number.

EXAMPLE

Model		Drawing		Part Callout		Size Selection
A1	-	8	-	201	-	0

(Quantity) A1-8-201-0 Air Hose Set

TO ORDER A PART

Your Acra-Feed Automatic Screwfeeder System is a tool made of components specific for *your* unique application. Many of the parts are listed “by quote only” to assure inventory of the correct size or selection for *your* specific system. For best accurate service, include the unit number of your Acra-Feed system whenever ordering. The unit number is located on a riveted plate at the rear of the system, or on the right side door.

URYU SCREWDRIVERS

Most Acra-Feed Automatic Screwfeeder Systems are sold with Uryu LT Series screwdrivers. A separate parts list is available for each screwdriver and can be obtained from AIMCO Corporation.

LIMITED WARRANTY

The Acra-Feed Automatic Screwfeeder System is warranted for a period of three years against manufacturer’s defects or the amount recoverable under component manufacturer’s warranties. The exception is for Normal wear items.

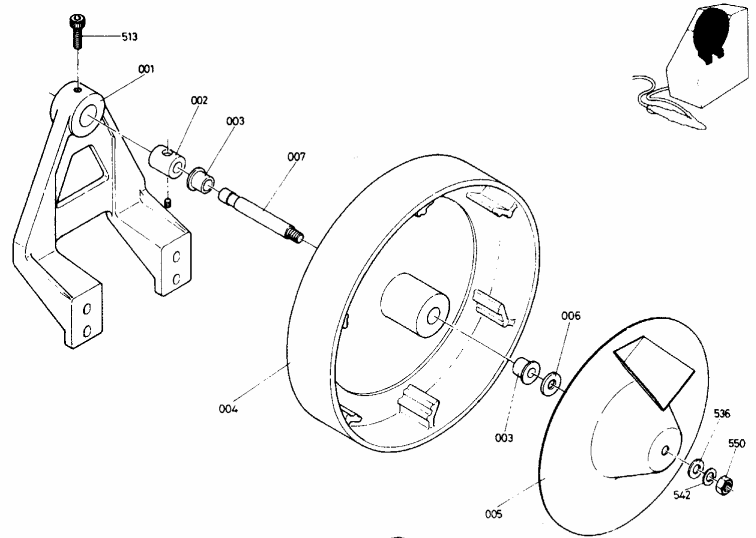


AIMCO

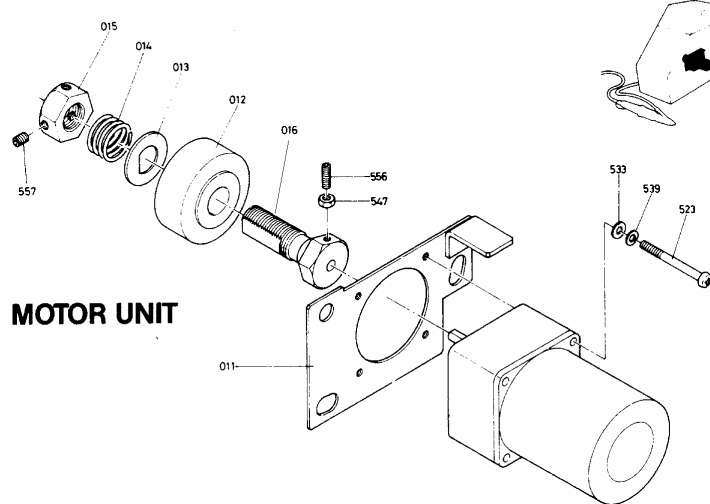
Corporate Headquarters

10000 SE Pine Street
Portland, OR 97216
800-852-1368 Phone
800-582-9015 Fax
www.aimco-global.com

DRUM UNIT



MOTOR UNIT



DRUM UNIT

PART NO. DESCRIPTION

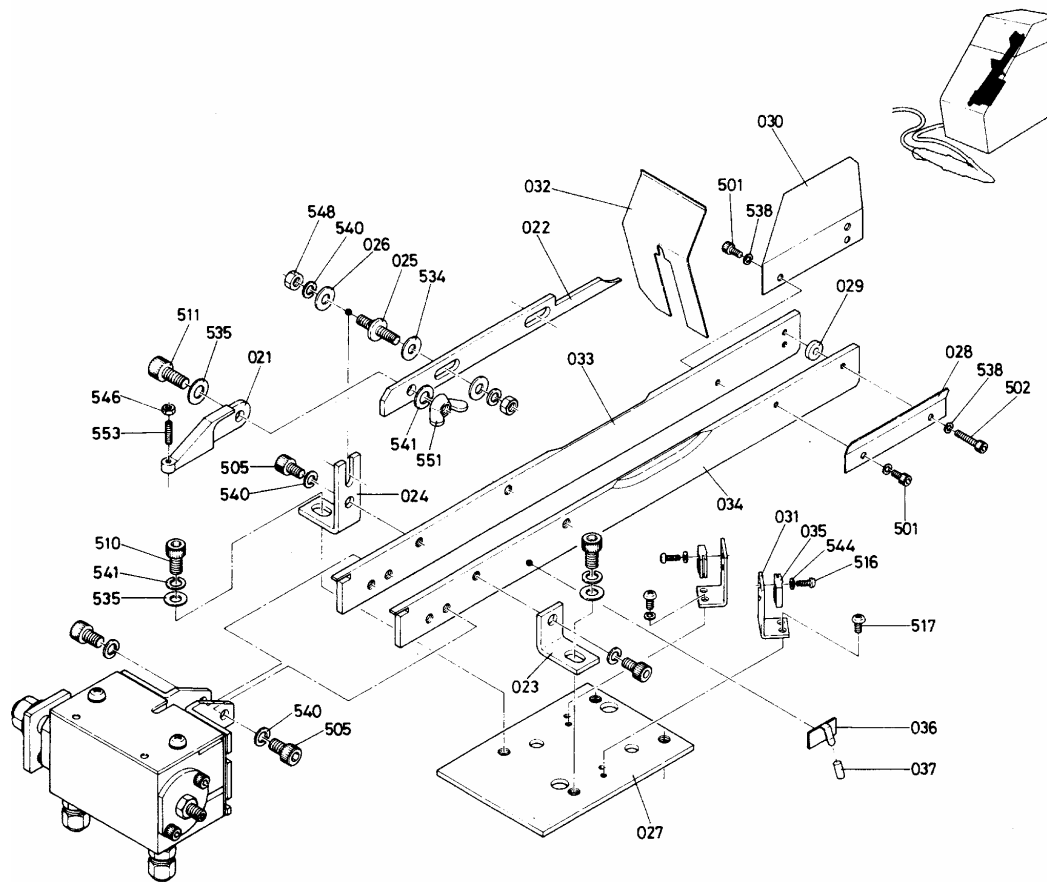
A1-1-001-0	BRACKET
A1-1-002-0	FIXED COLLAR
A1-1-003-0	METAL BUSHING
A1-1-004-0	ROTARY DRUM
A1-1-005-0	FIXED DRUM
A1-1-006-0	DRUM COLLAR
A1-1-007-0	DRUM SHAFT
A1-0-513-0	ALLEN SCREW
A1-0-536-0	FLAT WASHER
A1-0-542-0	SPRING WASHER
A1-0-550-0	HEX NUT

MOTOR UNIT

PART NO. DESCRIPTION

A1-2-011-0	MOTOR PLATE
A1-2-012-0	ROLLER
A1-2-013-0	SPRING PLATE
A1-2-014-0	SPRING
A1-2-015-0	HEX NUT
A1-2-016-0	ROLLER SHAFT
A1-2-019-0	GEARHEAD & MOTOR
A1-0-523-0	PHILLIPS SCREW
A1-0-533-0	FLAT WASHER
A1-0-539-0	SPRING WASHER
A1-0-547-0	HEX NUT
A1-0-556-0	SET SCREW
A1-0-557-0	SET SCREW

CARTRIDGE ASSEMBLY



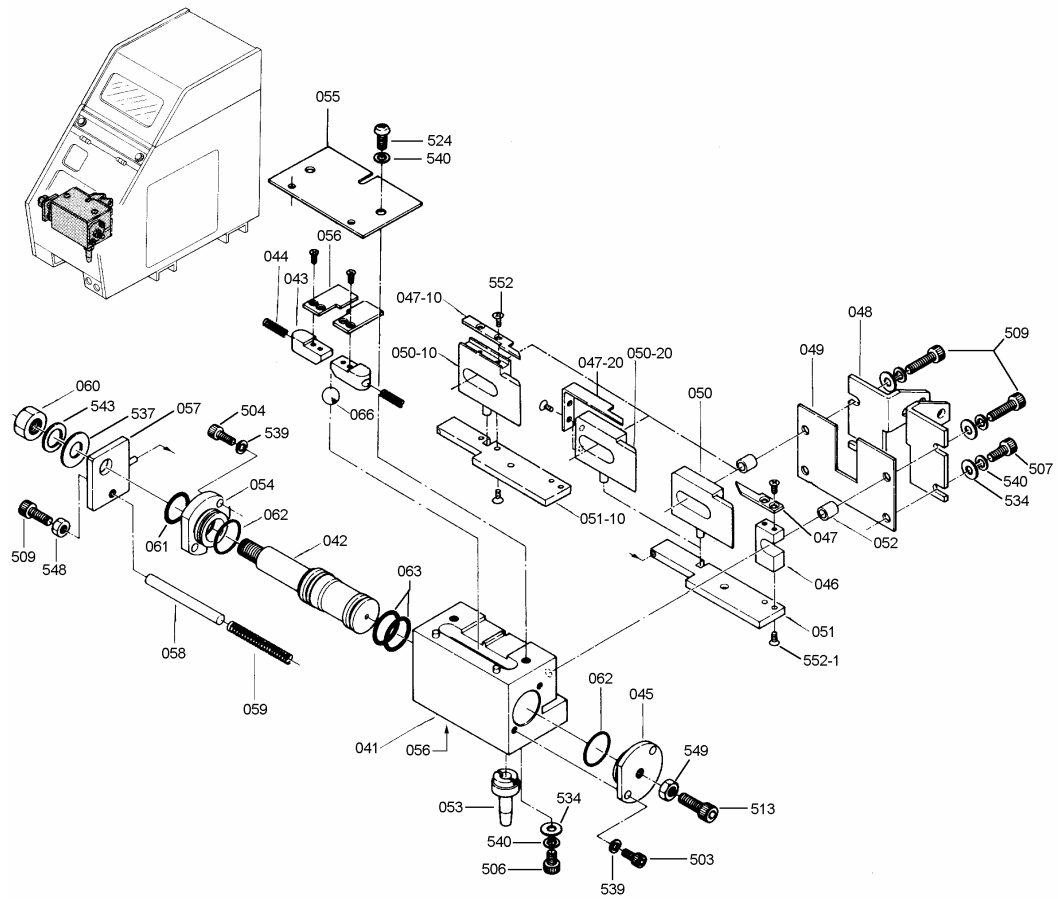
PART NO. DESCRIPTION

A1-0-CA-*	CARTRIDGE ASSEMBLY
A1-3-021-0	HEAD GUIDE (II)
A1-3-022-0	HEAD GUIDE (I)
A1-3-023-0	CHUTE ANGLE (I)
A1-3-024-0	CHUTE ANGLE (II)
A1-3-025-0	HEAD GUIDE BOLT
A1-3-026-0	WASHER
A1-3-027-0	CHUTE BASE
A1-3-028-0	FENCE
A1-3-029-*	CHUTE COLLAR
A1-3-030-0	INDUCING PLATE
A1-3-031-0	SWITCH BRACKET
A1-3-032-*	GATE
A1-3-033-*	CHUTE
A1-3-034-*	CHUTE
A1-3-035-0	SWITCH SET
A1-3-036-0	STICKER

PART NO. DESCRIPTION

A1-3-037-0	TUBE
A1-0-501-0	ALLEN SCREW
A1-0-502-0	ALLEN SCREW
A1-0-505-0	ALLEN SCREW
A1-0-510-0	ALLEN SCREW
A1-0-511-0	ALLEN SCREW
A1-0-516-0	ALLEN SCREW
A1-0-517-0	ALLEN SCREW
A1-0-534-0	FLAT WASHER
A1-0-535-0	FLAT WASHER
A1-0-540-0	SPRING WASHER
A1-0-541-0	SPRING WASHER
A1-0-544-0	SPRING WASHER
A1-0-546-0	HEX NUT
A1-0-548-0	HEX NUT
A1-0-551-0	WING NUT
A1-0-553-0	SET SCREW

ESCAPEMENT ASSEMBLY



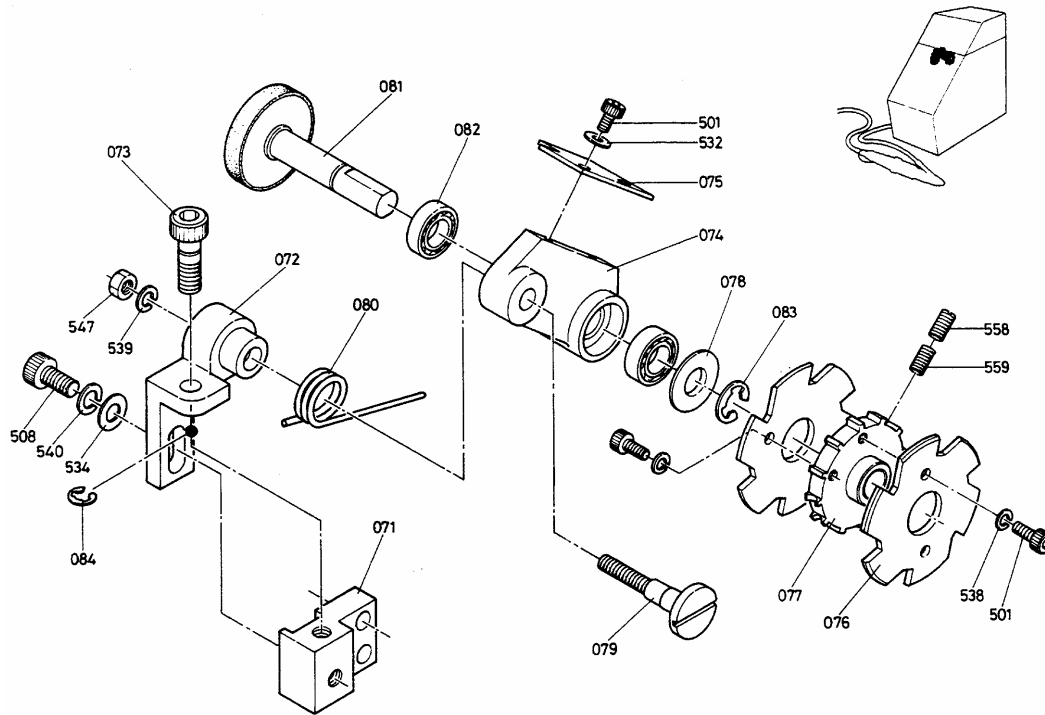
PART NO. DESCRIPTION

A1-4-EA-*	ESCAPE ASSEMBLY
A1-4-041-*	ESCAPE BLOCK
A1-4-042-*	SPOOL
A1-4-043-0	M FINGER BASE
A1-4-044-0	FINGER SPRING
A1-4-045-0	R STOPPER
A1-4-046-*	R FINGER BASE
A1-4-047-*	R FINGER
A1-4-048-*	ES CONNECTOR
A1-4-049-0	SPACER
A1-4-050-*	L FINGER
A1-4-051-*	SHUTTER
A1-4-052-0	ES COLLAR
A1-4-053-*	PIPE CONNECTOR
A1-4-054-0	L STOPPER
A1-4-055-*	ES COVER
A1-4-056-*	M FINGER
A1-4-057-*	ES PLATE
A1-4-058-0	SWITCH ROD
A1-4-059-0	SWITCH SPRING
A1-4-060-0	U NUT

PART NO. DESCRIPTION

A1-4-061-0	O RING
A1-4-062-0	O RING
A1-4-063-0	O RING
A1-4-065-0	HALF UNION
A1-4-066-0	STEEL BALL
A1-0-503-0	ALLEN SCREW
A1-0-504-0	ALLEN SCREW
A1-0-506-0	ALLEN SCREW
A1-0-507-0	ALLEN SCREW
A1-0-509-0	ALLEN SCREW
A1-0-513-0	ALLEN SCREW
A1-0-524-0	PHILLIPS SCREW
A1-0-534-0	FLAT WASHER
A1-0-537-0	FLAT WASHER
A1-0-539-0	SPRING WASHER
A1-0-540-0	SPRING WASHER
A1-0-543-0	SPRING WASHER
A1-0-548-0	NUT
A1-0-552-0	FLAT HEAD SCREW
A1-0-552-1	FLAT HEAD SCREW

IMPELLER ASSEMBLY



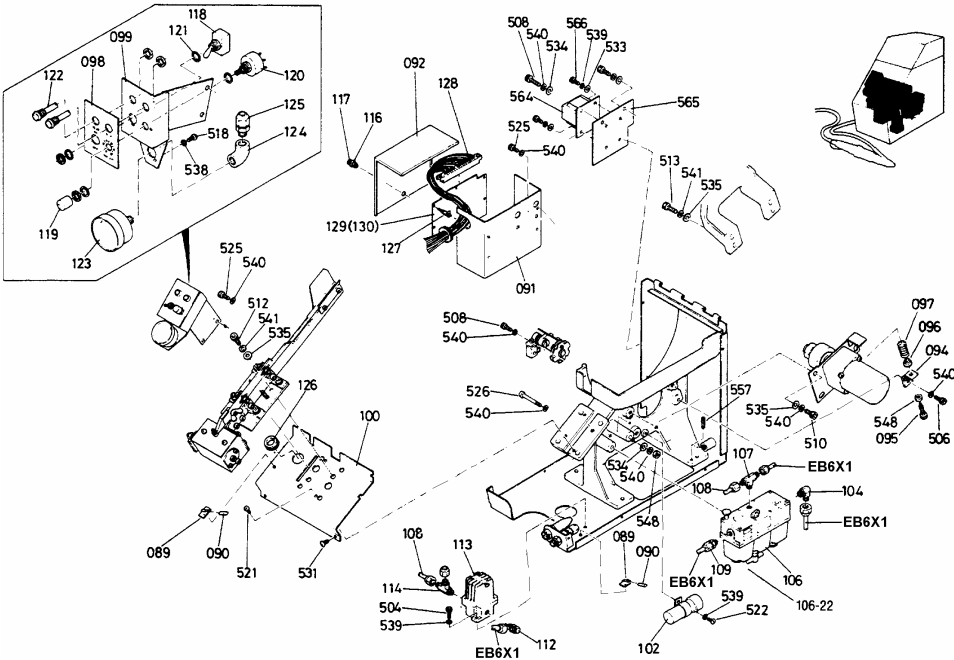
PART NO. DESCRIPTION

A1-5-IU-*	IMPELLER ASSEMBLY
A1-5-071-0	IMPELLER BRACKET
A1-5-072-0	IMPELLER BRACKET
A1-5-073-0	SET BOLT
A1-5-074-0	ARM HOLDER
A1-5-075-0	ROLLER COVER
A1-5-076-*	OUTER IMPELLER
A1-5-077-*	INNER IMPELLER
A1-5-078-0	SPRING HOLDER
A1-5-079-0	PIN
A1-5-080-0	TORSION SPRING
A1-5-081-0	IMPELLER SHAFT
A1-5-082-0	MINIATURE BEARING

PART NO. DESCRIPTION

A1-5-083-0	E RING
A1-5-084-0	E RING
A1-0-501-0	ALLEN SCREW
A1-0-508-0	ALLEN SCREW
A1-0-532-0	FLAT WASHER
A1-0-534-0	FLAT WASHER
A1-0-538-0	SPRING WASHER
A1-0-539-0	SPRING WASHER
A1-0-540-0	SPRING WASHER
A1-0-547-0	HEX NUT
A1-0-558-0	SET SCREW
A1-0-559-0	SET SCREW

MAIN BODY ASSEMBLY



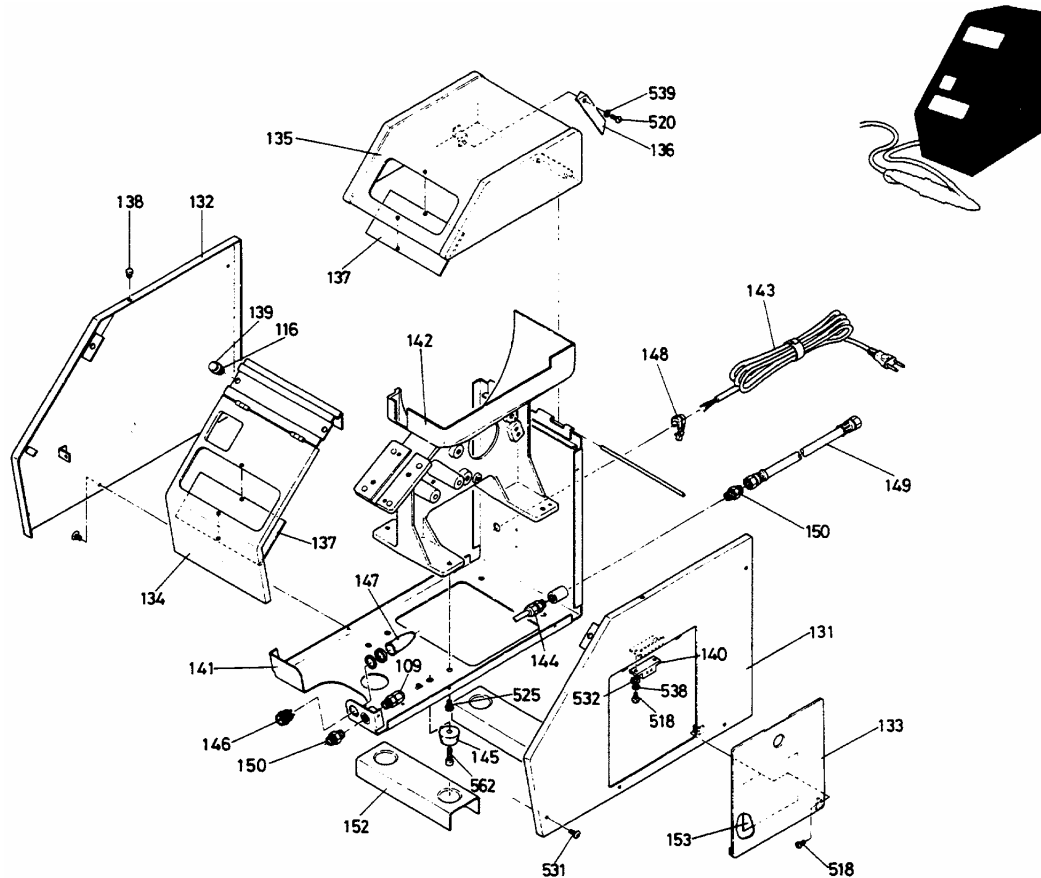
PART NO. DESCRIPTION

A1-6-089-0	STICKER
A1-6-090-0	TUBE
A1-6-091-0	ELECTRIC BOX
A1-6-092-0	ELECTRIC BOX COVER
A1-6-094-0	ADJUSTMENT BRACKET
A1-6-095-0	ADJUSTMENT BOLT
A1-6-096-0	SPRING WASHER
A1-6-097-0	ADJUSTMENT SPRING
A1-6-098-0	SWITCH PANEL
A1-6-099-0	SWITCH BRACKET
A1-6-100-0	PANEL
A1-6-102-0	SWITCH COVER
A1-6-104-0	ELBOW UNION
A1-6-106-0	AIR UNIT
A1-6-106-22	OIL PLUG
A1-6-107-0	TIE UNION
A1-6-109-0	HALF UNION
A1-6-112-0	ELBOW UNION
A1-6-113-0	SOLENOID VALVE
A1-6-114-0	TIE UNION
A1-6-116-0	GROMMET
A1-6-117-0	PLUG
A1-6-118-0	SNAP SWITCH
A1-6-119-0	MIDGET KNOB
A1-6-120-0	VARIABLE RESISTOR
A1-6-121-0	MOUNTING RING
A1-6-122-0	PILOT LAMP
A1-6-123-0	PRESSURE GAUGE
A1-6-124-0	ELBOW
A1-6-125-0	HALF UNION

PART NO. DESCRIPTION

A1-6-126-0	GROMMET
A1-6-127-0	SUPPORT
A1-6-128-0	CONNECTOR WIRING
A1-6-129-0	COMPLETE PC BOARD
A1-6-129-RY	RELAY
A1-6-130-0	FUSE
A1-6-564-0	TRANSFORMER
A1-6-565-0	PLATE
A1-6-EB6X1	TUBING PER FOOT
A1-0-504-0	ALLEN SCREW
A1-0-506-0	ALLEN SCREW
A1-0-508-0	ALLEN SCREW
A1-0-510-0	ALLEN SCREW
A1-0-512-0	ALLEN SCREW
A1-0-513-0	ALLEN SCREW
A1-0-519-0	PHILLIPS SCREW
A1-0-521-0	PHILLIPS SCREW
A1-0-522-0	PHILLIPS SCREW
A1-0-525-0	PHILLIPS SCREW
A1-0-526-0	PHILLIPS SCREW
A1-0-531-0	PHILLIPS SCREW
A1-0-533-0	SPRING WASHER
A1-0-534-0	FLAT WASHER
A1-0-535-0	FLAT WASHER
A1-0-538-0	SPRING WASHER
A1-0-539-0	SPRING WASHER
A1-0-540-0	SPRING WASHER
A1-0-541-0	SPRING WASHER
A1-0-548-0	HEX NUT
A1-0-557-0	ALLEN SCREW
A1-0-566-0	ALLEN SCREW

CHASSIS ASSEMBLY



PART NO. DESCRIPTION

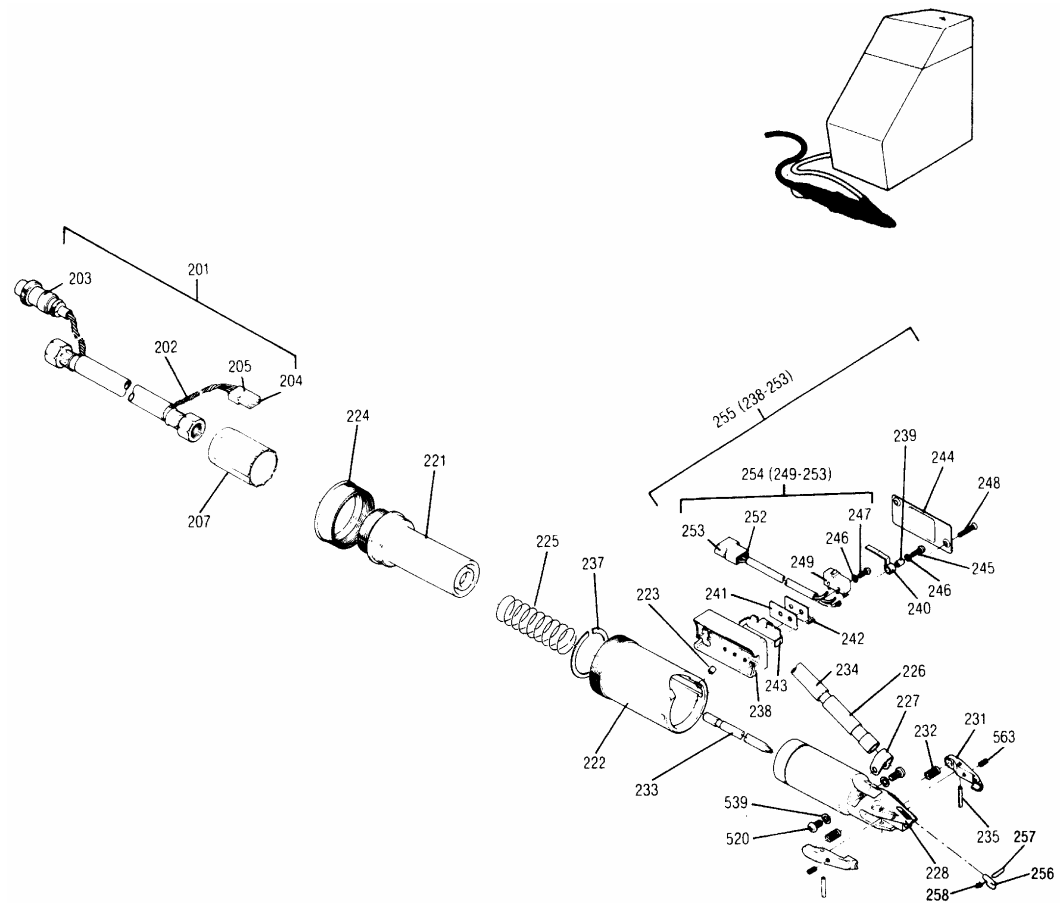
A1-7-131-0	RIGHT SIDE COVER	
A1-7-131-01	RIGHT SIDE COVER	See note
A1-7-132-0	LEFT SIDE COVER	
A1-7-132-01	LEFT SIDE COVER	See note
A1-7-133-0	UNIT COVER	
A1-7-133-01	UNIT COVER	See note
A1-7-134-0	FRONT COVER	
A1-7-134-01	FRONT COVER	See note
A1-7-135-0	UPPER COVER	
A1-7-135-01	UPPER COVER	See note
A1-7-136-0	STOPPER	
A1-7-137-0	CLEAR PLATE	
A1-7-138-0	CUSHION RUBBER	
A1-7-139-0	PLUG	
A1-7-140-0	MAGNET CATCH	
A1-7-141-01	CHASSIS	
A1-7-141-02	CHASSIS	See note
A1-7-142-0	HOPPER BASE	
A1-7-143-0	POWER CORD	

PART NO. DESCRIPTION

A1-7-144-0	HALF UNION
A1-7-144-01	ELBOW UNION
A1-7-145-0	RUBBER LEG
A1-7-146-0	RECEPTACLE
A1-7-147-0	INSULATION CAP
A1-7-148-0	CORD BUSHING
A1-7-149-0	AIR HOSE
A1-7-149-01	AIR HOSE
A1-7-150-0	NIPPLE
A1-7-152-0	LEGS
A1-7-153-0	UNIT ID STICKER
A1-7-167-0	FUSE
A1-7-168-0	FUSE HOLDER
A1-0-518-0	PHILLIPS SCREW
A1-0-520-0	PHILLIPS SCREW
A1-0-525-0	PHILLIPS SCREW
A1-0-531-0	PHILLIPS SCREW
A1-0-532-0	FLAT WASHER
A1-0-538-0	SPRING WASHER
A1-0-539-0	SPRING WASHER
A1-0-562-0	PHILLIPS SCREW

Note: Part numbers for 2003 and newer Acra-Feed units

HEAD ASSEMBLY



PART NO. DESCRIPTION

AHA-*	HEAD ASSEMBLY
A1-8-201-0	AIR HOSE SET
A1-8-201-01	AIR HOSE SET
A1-8-202-0	SIGNAL CABLE
A1-8-203-0	PLUG
A1-8-204-0	PIN TERMINAL SET
A1-8-205-0	NYLON CONNECTOR
A1-8-207-0	CABLE CLAMP
A1-8-221-*	ADAPTER
A1-8-222-1	PIPE COVER BUSHING
A1-8-222-*	PIPE COVER
A1-8-223-0	KEY
A1-8-224-0	ADJUSTMENT NUT
A1-8-225-*	PIPE SPRING
A1-8-226-*	HOSE JOINT
A1-8-227-*	BAND
A1-8-228-*	Y PIPE
A1-8-231-*	JAW SET
A1-8-232-*	JAW SPRING
A1-8-234-*	SCREW DEL. HOSE
A1-8-235-*	SPRING PIN
A1-8-237-0	CIRCLIP

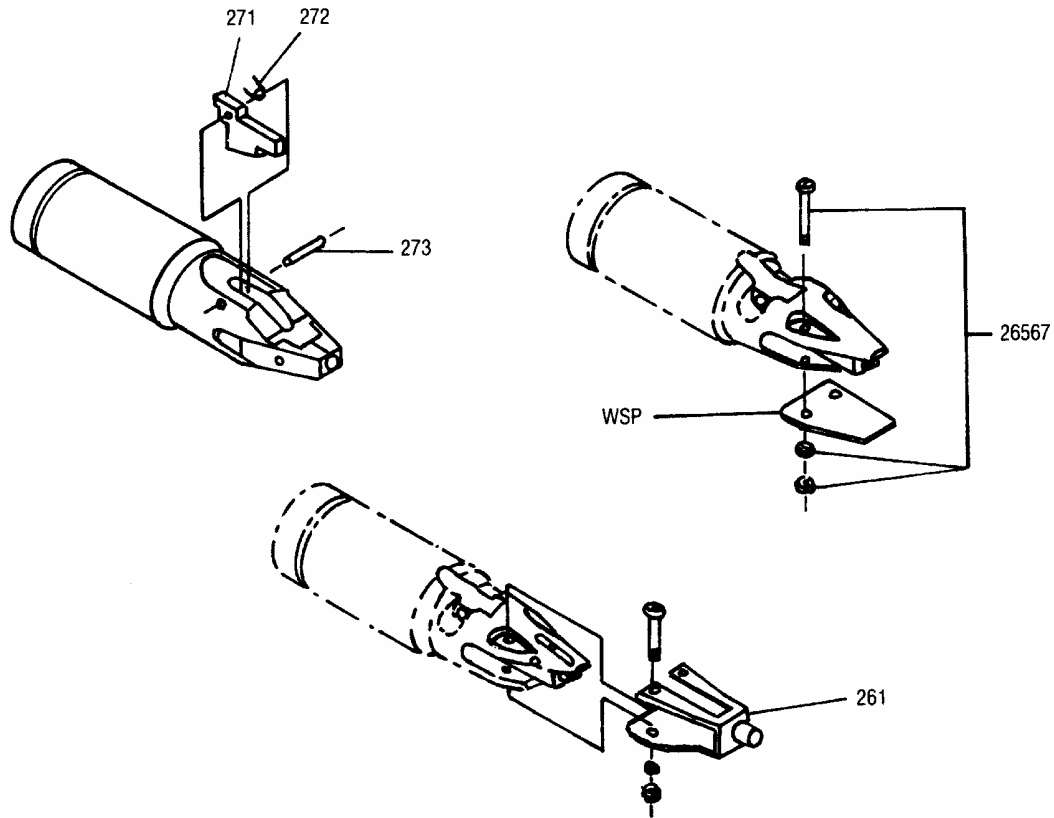
See note

PART NO. DESCRIPTION

A1-8-238-S	MS COVER
A1-8-239-0	CAM SHAFT
A1-8-240-0	MS CAM
A1-8-241-S	MS BASE
A1-8-242-0	INSULATION PLATE
A1-8-243-S	MS PLATE
A1-8-244-S	MS COVER PLATE
A1-0-245-0	PHILLIPS PAN HEAD
A1-0-246-0	SPRING WASHER
A1-0-247-0	PHILLIPS PAN HEAD
A1-0-248-0	PHILLIPS CSK.
A1-8-249-0	MICRO SWITCH
A1-8-253-0	NYLON CONNECTOR
A1-8-254-S	MICRO SWITCH SET
A1-8-255-A	DRIVER SWITCH SET
A1-8-256-*	LOCKER
A1-8-257-0	PIN
A1-8-258-0	SPRING
A1-0-520-0	PHILLIPS SCREW
A1-0-539-0	SPRING WASHER
A1-0-563-0	SET SCREW

Note: Part numbers for 2003 and newer Acra-Feed units

SPECIAL ADAPTERS



SPECIAL ADAPTERS

PART NO. DESCRIPTION

A1-9-261-*	PIPE JIG
A1-9-26567*	JAW PIN SET
A1-9-271-*	GUIDE PIECE
A1-9-272-*	GUIDE SPRING
A1-9-273-0	PIN
A1-0-WSP-*	WORK SURFACE PRO.
A1-9-BTX	BIT EXTENDER

Note: Please be aware not all items shown are contained on all feeders. These are specialized components to suit very specific applications. Call for guidance or information.

Acra-Feed MODEL _____

UNIT NUMBER _____

PRODUCTION NUMBER _____

FILE NUMBER _____

DRIVER MODEL _____

DRIVER SERIAL NUMBER _____

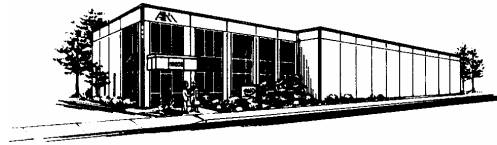
BIT NUMBER _____

SCREW DELIVERY HOSE _____

RECOMMENDED SPARE PARTS

PART NO.	DESCRIPTION	QTY.
A1-4-044-0	FINGER SPRING	2
A1-4-059-0	SWITCH SPRING	1
A1-4-061-0	"O" RING	1
A1-4-062-0	"O" RING	2
A1-4-063-0	"O" RING	2
A1-5-080-0	TORSION SPRING	1
A1-5-084-0	"E" RING	1
A1-8-223-0	KEY	1
A1-8-225-*	PIPE SPRING	1
A1-8-232-*	JAW SPRING	1
A233***-***	BIT	1
A1-8-234-*	SCREW DEL. HOSE	1 LENGTH
A1-8-235-*	SPRING PIN	1
A1-8-243-S	MS PLATE	1
A1-8-254-S	MICRO SWITCH SET	1
A1-8-257-0	PIN	1
A1-8-258-0	SPRING	1

NOTES _____



PORTLAND, OR

AIMCO is a leading provider of power tools, assembly systems, torque measurement systems; tool support system DC controlled fastening tools, and fastener tools for businesses worldwide. For more information about AIMCO, call us at: 800-852-1368 or visit our Web site at: www.aimco-global.com.

SERVICE – THE PART WE GUARANTEE THAT WILL NEVER WEAR OUT.



10000 SE Pine Street
Portland, OR 97216
800-852-1368 Tel.
800-582-9015 Fax
www.aimco-global.com

DISTRIBUTED BY