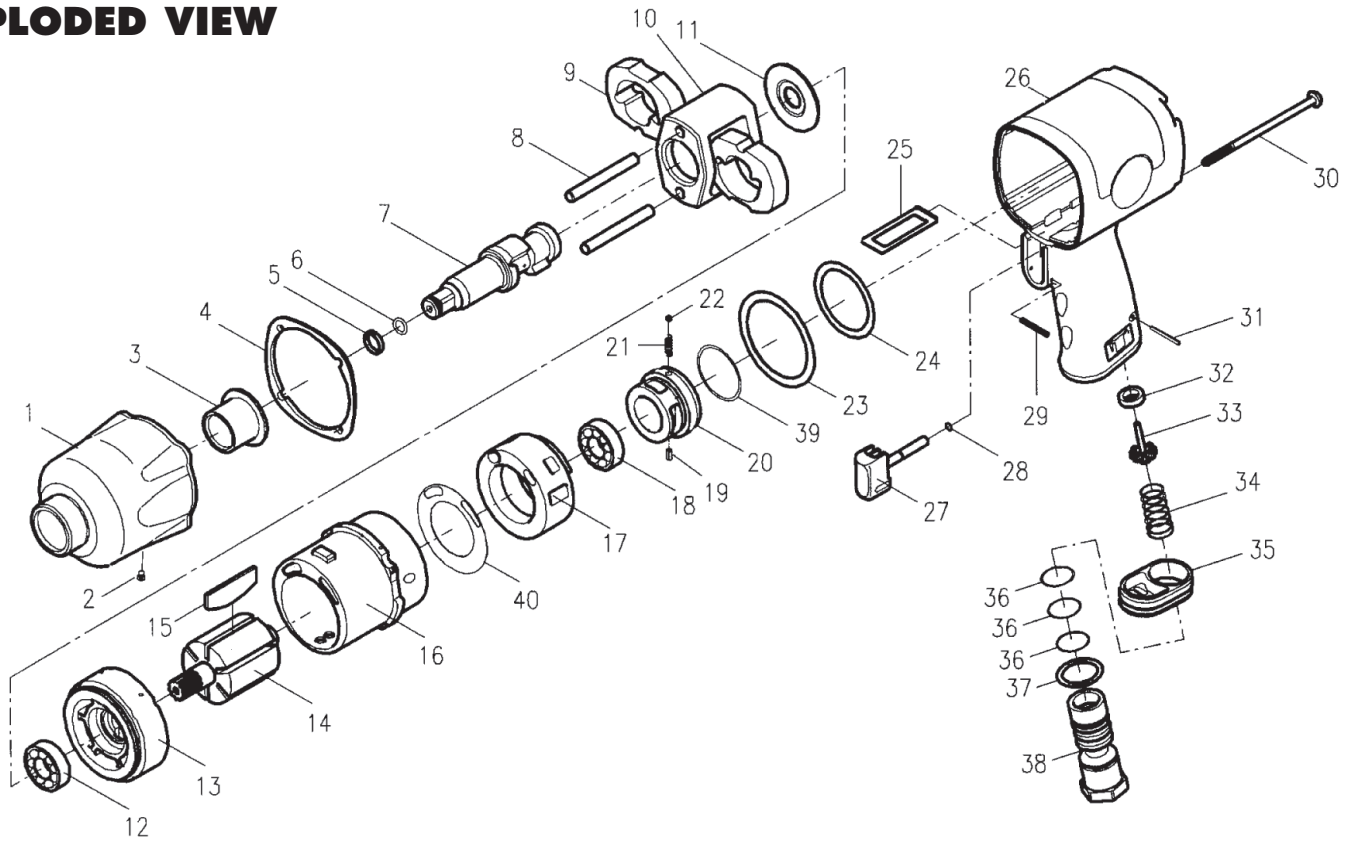


2263EC 1/2" PNEUMATIC IMPACT WRENCH

EXPLODED VIEW



PARTS LIST — FOR REFERENCE ONLY

Index Number	Part Number	Description	Qty.	Index Number	Part Number	Description	Qty.
1	305F-002	Hammer Case	1	21	301-034	Spring	1
2	00-4603	Grease Fitting	1	22	00-3805	Steel Ball	1
3	305-010B-C	Anvil Bushing	1	23	305F-030	Rear Gasket	1
4	305F-020	Front Gasket	1	24	305F-031	Washer	1
5	250-033	Anvil Collar	1	25	305F-019	Air Channel Gasket	1
6	00-4103	O-Ring	1	26	305F-001	Motor Housing	1
7	305-011NA4	Anvil	1	27	305F-024	Trigger	1
	305-011NB4	2" Anvil	1	28	00-4101	O-Ring	1
8	305-016	Hammer Pin	2	29	00-3326	Spring Pin	1
9	305-017-B	Hammer	2	30	305F-028	Screw	4
10	305-012	Hammer Cage	1	31	00-3306	Spring Pin	1
11	305-020-B	Rear Washer	1	32	306-021-B	Bushing	1
12	00-2317	Ball Bearing	1	33	306-026	Valve Stem	1
13	305F-005	Front End Plate	1	34	305F-026	Spring	1
14	301-008	Rotor Blade	6	35	306-030	Exhaust Deflector	1
15	305G-007	Rotor	1	36	00-4143	O-Ring	3
16	305F-006	Cylinder	1	37	305F-032	Washer	1
17	305F-029	Valve Sleeve	1	38	305F-025A	Air Inlet (1/4" PF)	1
18	00-2305	Ball Bearing	1	39	00-4174	O-Ring	1
19	00-3345	Spring Pin	1	40	305F-033	Valve Sleeve Gasket	1
20	305F-021	Reverse Valve	1				

FOOTNOTES



10000 SE Pine Street
Portland, OR 97216
503-254-6600
FAX 503-255-2615

When ordering spare parts, please specify
tool type, part number and description.