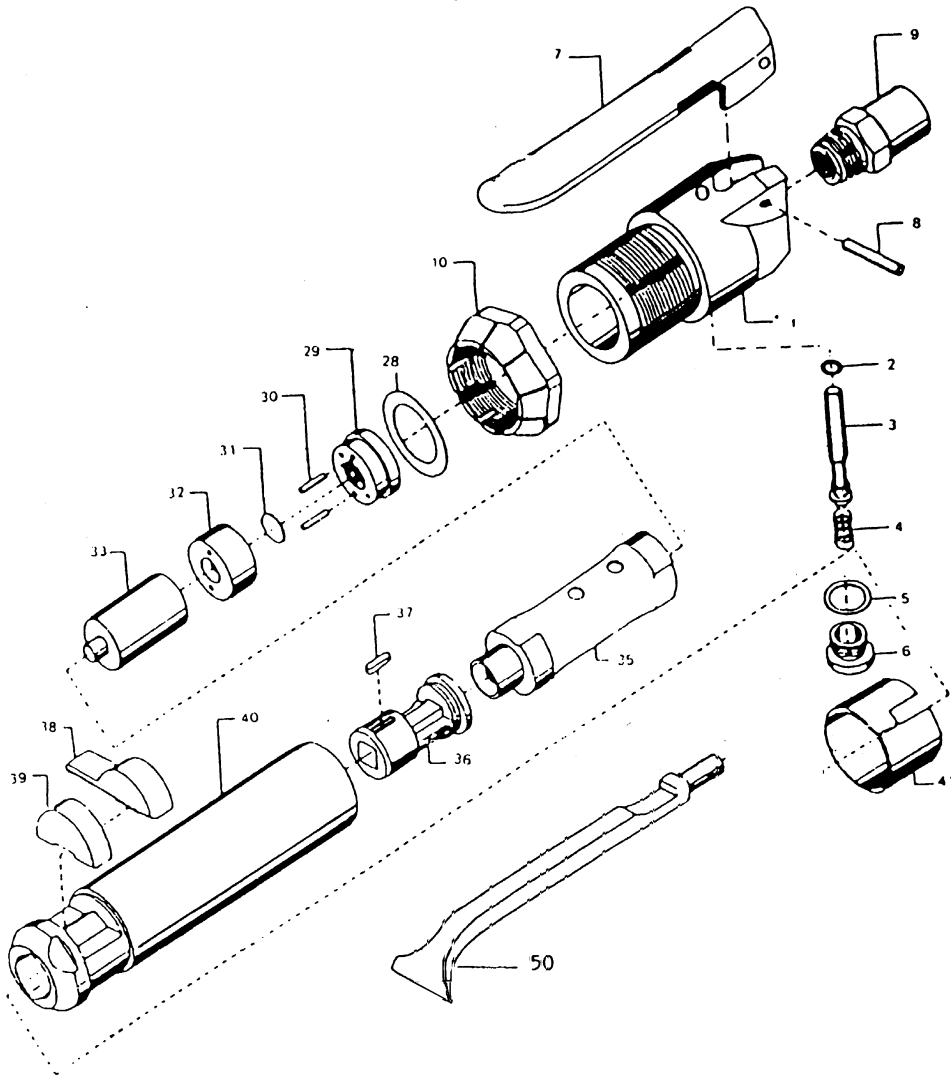


4004 FLUX CHIPPER

EXPLODED VIEW



PARTS LIST – FOR REFERENCE ONLY

Index Number	Part Number	Description	Qty.	Index Number	Part Number	Description	Qty.	Index Number	Part Number	Description	Qty.
1	730213	BACK HEAD	1	9	729747	HOSE ADAPTER	1	35	731008	BARREL SLEEVE	1
2	729591	O RING	1*	10	729597	LOCKING RING	1	36	731009	NOSE	1
3	730214	THROTTLE VALVE	1	28	730218	ALIGNMENT SHIM	1*	37	731010	KEY	1
4	730215	SPRING	1*	29	729608	REAR VALVE BLOCK	1	38	730220	DRIVER RETAINER	1
5	1008365	GASKET	1*	30	1012591	PIN	2*	39	730221	RETAINER BUFFER	1*
6	730216	VALVE CAP	1	31	729604	VALVE	1*	40	730223	BARREL ASSY.	1
7	730217	LEVER	1	32	729606	FRONT VALVE BLOCK	1	41	730222	RETAINER CLIP	1
8	729538	PIN	1	33	730219	PISTON	1	50	730224C	CHISEL	1

TECHNICAL DATA

	Max Air Pressure	Recommended Air Hose Size	BPM Free Speed	Max Air Flow CFM	Weight (lbs.)
4004	90 psi	3/8"	4,600	12	5.3

FOOTNOTES

* Parts Available in Repair Kit 4004/4005-RK*



When ordering spare parts, please specify tool type, part number and description

10000 SE PINE, PORTLAND, OR 97216
503-254-1749 FAX 503-256-4026

REVISED 7/99