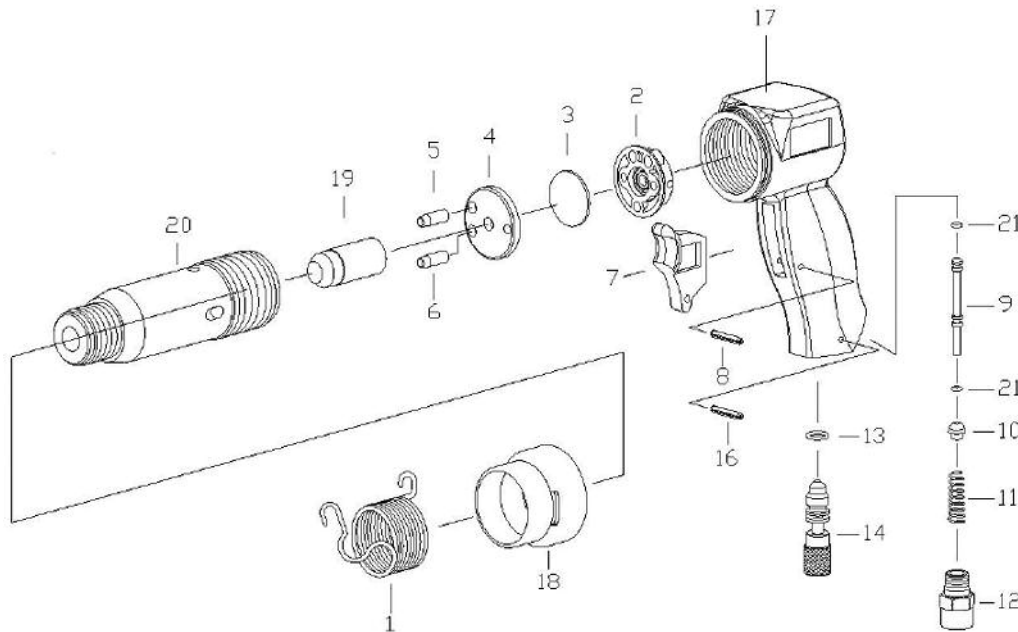


4100 AIR HAMMER (2.4 - 3,000 BPM)

EXPLODED VIEW



PARTS LIST — FOR REFERENCE ONLY

Index Number	Part Number	Description	Qty	Index Number	Part Number	Description	Qty.
1	RC5100C-01	Retainer Spring	1	17C	RC5100C-17C	Handle	1
2	RC5100C-02	Upper Valve Seat	1	18	RC5100C-18	Exhaust Deflector	1
3	RC5100C-03	Valve Disk	1	19	RC5100C-19	Piston (M)	1
4	RC5100C-04	Lower Valve Seat	1	20	RC5100C-20	Cylinder (M) (Hex.) 11mm	1
5	RC5100C-05	Dowel Pin (L)6.3	1				
6	RC5100C-06	Dowel Pin (M)5.4	1		RC5100C-RK	Repair Kit	
7	RC5100C-07	Trigger	1				
8	RC5100C-08	Dowel Pin (3x20)	1				
9	RC5100C-09	Valve Stem Incl.: 2pcs. O-Ring(2.5x1.5)	1				
10	RC5100C-10RK	Valve Ball	1				
11C	RC5100C-11CRK	Spring Throttle	1				
12C	RC5100C-12C	Throttle Cap	1				
13	RC5100C-13RK	O-Ring (P8) (7.8x1.9)	1				
14	RC5100C-14	Regulator	1				
16	RC5100C-16	Spring Throttle	1				



10000 SE Pine Street
Portland, OR 97216
503-254-6600
FAX 503-255-2615

When ordering spare parts, please specify
tool type, part number and description.

FOOTNOTES