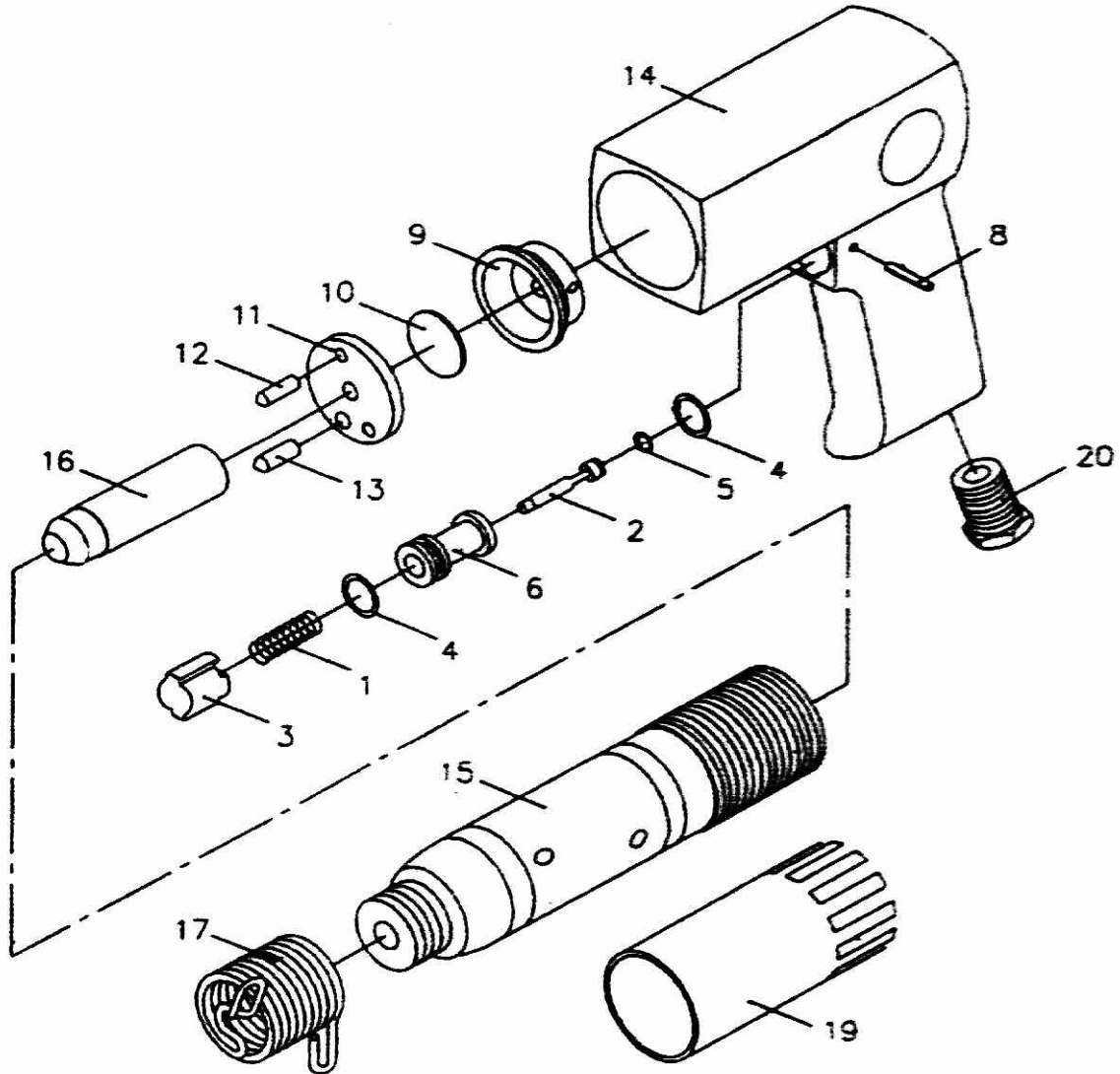


# 4178 AIR HAMMER

## EXPLODED VIEW



## PARTS LIST — FOR REFERENCE ONLY

Index Number	Part Number	Description	Qty.	Index Number	Part Number	Description	Qty.
1	711-01	Spring - Valve	1	13	711-13	Dowel - Valve Vase (S)	1
2	711-02	Throttle Valve	1	14	711-14	Handle	1
3	711-03	Button - Throttle	1	15	711-15	Cylinder (171mm)	1
4	711-04	O-Ring P12	2	16	711-16	Piston	1
5	711-05	O-Ring P4	1	17	715-15	Cylinder (252mm)	1
6	711-06	Button Valve	1	18	715-16	Piston	1
8	711-08	Pin Grooved	1	17	711-17	Retainer Spring	1
9	711-09	Lid - Valve Case	1			Retainer Bee Hive Type	1
10	711-10	Disk Valve	1			Retainer Zip Change	1
11	711-11	Case - Valve	1	19	715-19	Deflector	1
12	711-12	Dowel - Valve Case (L)	1	20	715-20	Air Inlet Bushing	1



10000 SE Pine Street  
Portland, OR 97216  
503-254-6600  
FAX 503-255-2615

When ordering spare parts, please specify  
tool type, part number and description.

### FOOTNOTES