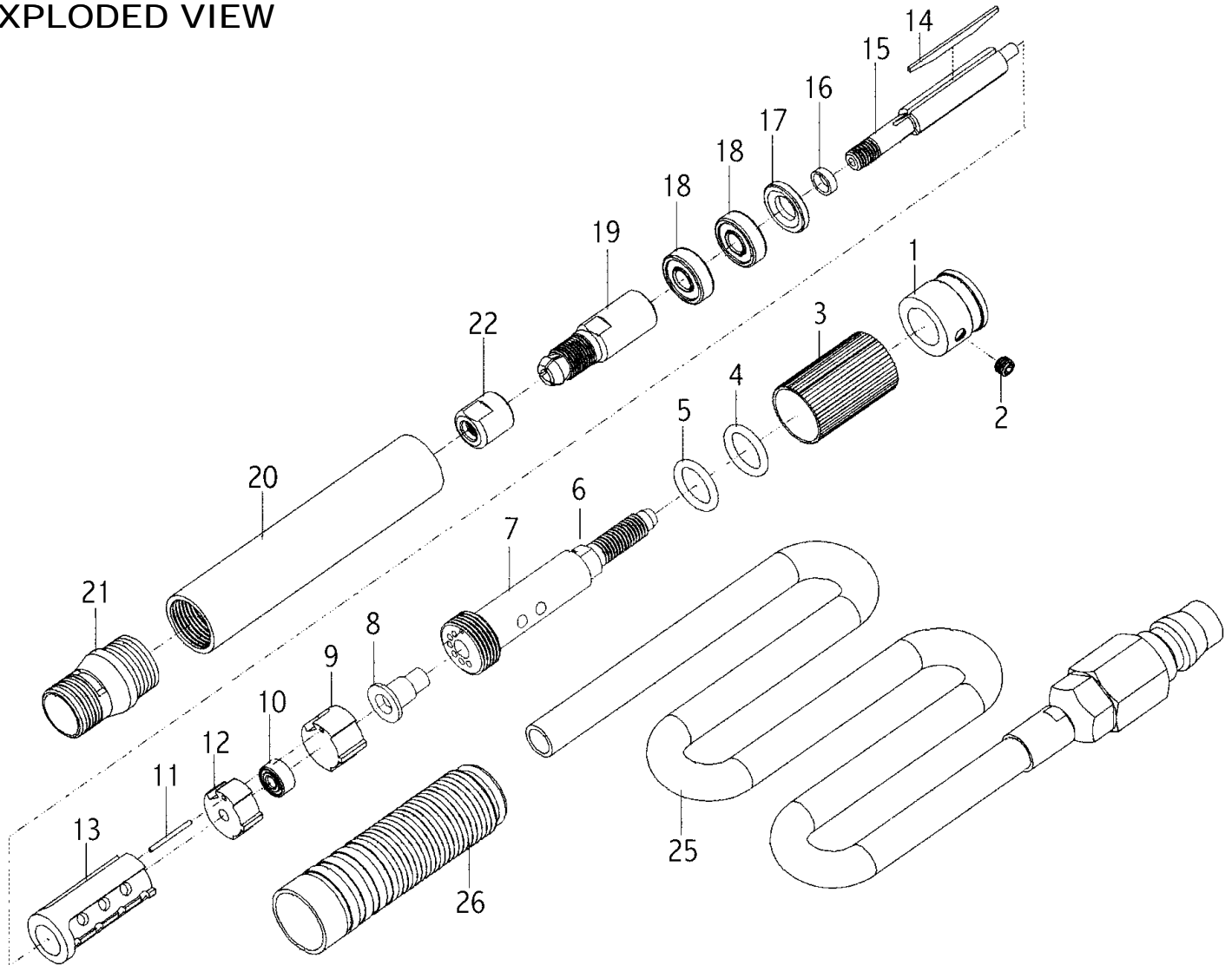


5000 MICRO DIE GRINDER

EXPLODED VIEW



PARTS LIST – FOR REFERENCE ONLY

Index Number	Part Number	Description	Qty.	Index Number	Part Number	Description	Qty.	Index Number	Part Number	Description	Qty.
1	95208-01	Rear End Holder	1	10	95208-10	Ball Bearing	1	19	95208-19	Collet	1
2	95208-02	Screw	1*	11	95208-11	Pin	1*	20	95208-20	Sleeve	1
3	95208-03	Sliding Knob	1	12	95208-12	Bearing Plate	1	21	95208-21	Front Cover	1
4	95208-04	O-Ring	1*	13	95208-13	Cylinder	1	22	95208-22	Clamp Nut	1
5	95208-05	O-Ring	2*	14	95208-14	Blades	3*		95208-23	7mm Wrench (Not Pictured)	1
6	95208-06	Hose Plug	1	15	95208-15	Rotor	1		95208-24	9mm Wrench (Not Pictured)	1
7	95208-07	Pin	1	16	95208-16	Spacer	1	25	95208-25	Hose Assy.	1
8	95208-08	Intake Tube	1	17	95208-17	Lateral Disc	1	26	95208-26	Exhaust Hose Over Tube	1
9	95208-09	Intake Plate	1	18	95208-18	Ball Bearing	2				

TECHNICAL DATA

	Max Air Pressure	Recommended Air Hose Size	RPM Free Speed	Max Air Flow CFM	Weight (lbs.)
5000	90 psi	3/8	54,000	4	.6

FOOTNOTES

* Parts Available in Repair Kit 5000-RK*



When ordering spare parts, please specify tool type, part number and description

10000 SE PINE, PORTLAND, OR 97216
503-254-1749 FAX 503-256-4026

REVISED 7/99