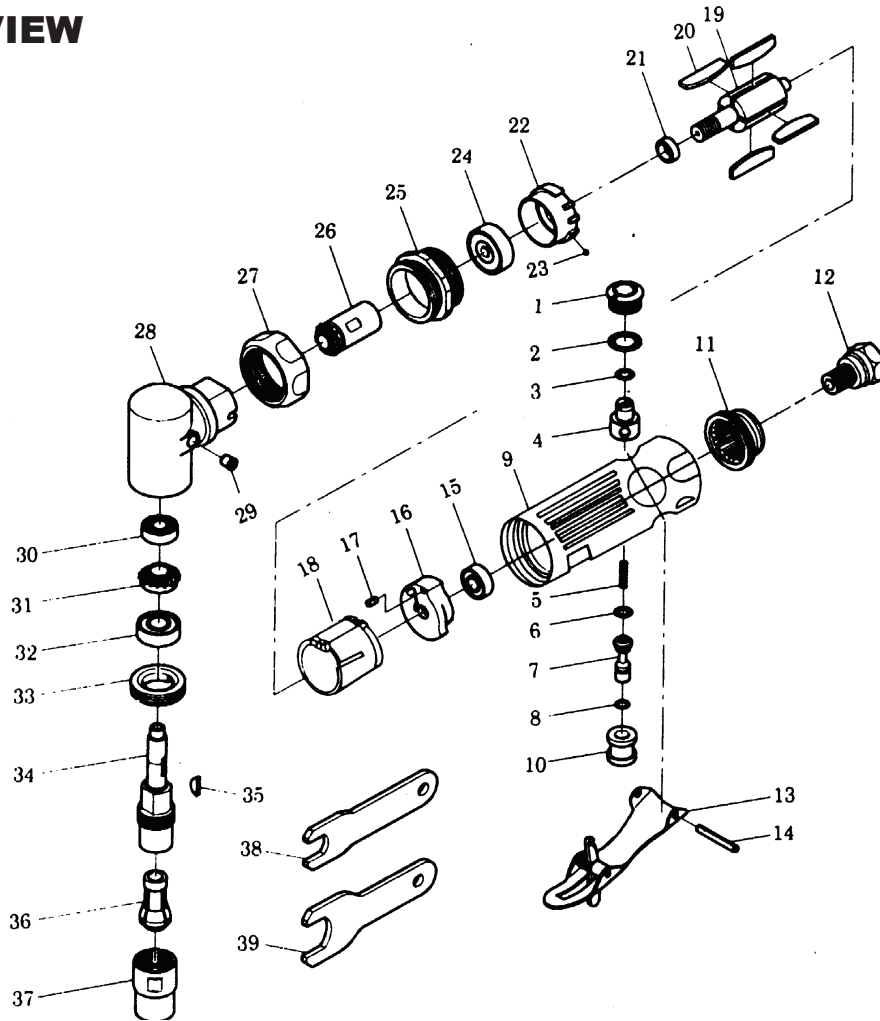


5003C ANGLE DIE GRINDER

EXPLODED VIEW



PARTS LIST – FOR REFERENCE ONLY

Index Number	Part Number	Description	Qty.	Index Number	Part Number	Description	Qty.	Index Number	Part Number	Description	Qty.
1	5003C-01	PLUG SCREW	1	14	5003C-14	LEVER PIN	1	27	5003C-27	CAP	1
2	5003C-02	O-RING	1	15	5003C-15	BEARING	1	28	5003C-28	ANGLE HEAD HOUSING	1
3	5003C-03	O-RING	1	16	5003C-16	BEARING PLATE	1	29	5003C-29	GREASE CAP	1
4	5003C-04	AIR REGULATOR	1	17	5003C-17	LOCATING PIN	2	30	5003C-30	REAR SPINDLE BEARING	1
5	5003C-05	VALVE SPRING	1	18	5003C-18	CYLINDER	1	31	5003C-31	SPINDLE GEAR	1
6	5003C-06	O-RING	1	19	5003C-19	ROTOR	1	32	5003C-32	BEARING	1
7	5003C-07	VALVE STEM	1	20	5003C-20	ROTOR BLADE	4	33	5003C-33	CLAMP NUT	1
8	5003C-08	O-RING	1	21	5003C-21	ROTOR COLLAR	1	34	5003C-34	SPINDLE	1
9	5003C-09	MOTOR HOUSING	1	22	5003C-22	BEARING PLATE	1	35	5003C-35	WOODRUFF KEY	1
10	5003C-10	VALVE BUSHING	1	23	5003C-23	BALL	1	36	5003C-36	COLLET	1
11	5003C-11	MUFFLER	1	24	5003C-24	BEARING	1	37	5003C-37	COLLET NUT	1
12	5003C-12	AIR INLET	1	25	5003C-25	LOCK RING	1	38	5003C-38	WRENCH (11mm)	1
13	5003C-13	LEVER	1	26	5003C-26	PINION GEAR	1	39	5003C-39	WRENCH (17mm)	1

TECHNICAL DATA

	Max Air Pressure	Recommended Air Hose Size	RPM Free Speed	Max Air Flow CFM	Weight (lbs.)
5003C (Formerly 5003B)	90 psi	3/8"	20,000	10	1.0

FOOTNOTES

EAGLE

10000 SE Pine Street
Portland, OR 97216
503-254-6600
FAX 503-255-2615

When ordering spare parts, please specify tool type, part number and description.

REVISED 9/07