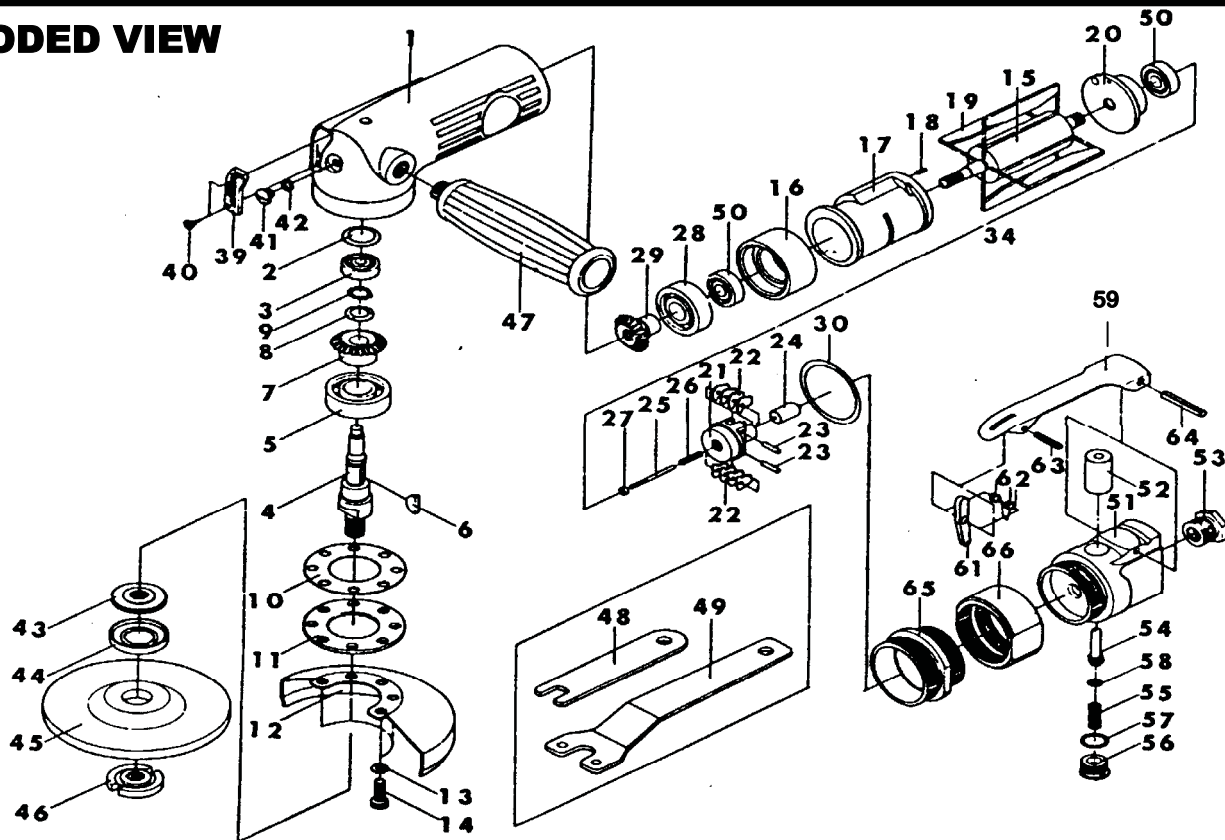


# 5007 5" ANGLE GRINDER

## EXPLODED VIEW



## PARTS LIST – FOR REFERENCE ONLY

Index Number	Part Number	Description	Qty.	Index Number	Part Number	Description	Qty.	Index Number	Part Number	Description	Qty.
1	DG-40001	Motor Housing	1	21	DG-40021	Governor	1**	49	AG-30058	Wrench(B)	1
2	DG-40002	Seal Plate	1	22	DG-40022	Pendulum	8**	50	BB-06082	Ball Bearing	2
3	BB-06262	Ball Bearing	1	23	SP-30120	Spring Pin	2**	51	DG-40051	Throttle Vale Housing	1
4	DG-40004	Arbor	1	24	DC-40024	Plunger	1**	52	DG-40052	Bushing	1
5	BB-62022	Ball Bearing	1	25	DG-40025	Adj. Screw	1**	53	AR-38001	Air inlet Bushing	1
6	WK-0313A	Woodruff Key	1	26	DG-40026	Spring	1**	54	DG-40054	Valve Stem	1
7	DG-40007	Bevel Gearing	1	27	DG-40027	Adjust Nut	1**	55	DG-40055	Valve Spring	1*
8	WW-0010	Wave Washer	1	28	BB-62012	Ball Bearing	1	56	DG-40056	Throttle Lever Plug	1
9	STW-010	External Stop Ring	1	29	DG-40029	Bevel Pinion	1	57	ORP-0120	O-Ring	1*
10	DG40010	Gasket	1	30	DG-40030	O-Ring	1*	58	DG-40058	O-Ring	1
11	DG-40011	Retainer	1	39	DG-40039	Exhaust Deflector	1	59	DG-40059	Throttle Lever	1
12	DG-40012-5	Center Wheel Guard	1	40	T2-3008B	Tapping Screw	2	61	DG-40061	Throttle Lever Lock	1
13	SW1-0512A	Spring Washer	5	41	PG-38043	Plug	1*	62	DG-40062	Torsion Spring	1
14	B2-0512A	Hex Socket Head Cap Bolt	5	42	ORP-0040	O-Rig	1	63	SP-30175	Spring Pin	1
15	DG-40015	Rotor	1	43	AG-50052	Flap	1	64	SP-40300	Spring Pin	1
16	DG-40016	Front end Plate	1	44	AG-50053	Flange Rubber Shield	1	65	DG-40065	Lock Ring	1
17	VP-70017	Cylinder	1	45	AG-50059	Grinding Wheel	1	66	DG-40066	Coupling Nut	1
18	SP-30060	Spring Pin	1*	46	AG-50054	Flange Nut	1				
19	VP-70014	Rotor Blade	4*	47	AP-70047	Handle	1				
20	VP-70013	Rear End Plate	1	48	DG-40048	Wrench(A)	1				

ACCESSORIES			
400-78	5/8-11 Threaded Adapter		1
GA-3495	Adapter wheels for 3/8" hubbed wheel.		1
GA-3588	Wheel nuts for 3/8" hubbed wheel		1

### TECHNICAL DATA

	Max Air Pressure	Recommended Air Hose Size	RPM Free Speed	Max Air Flow CFM	Weight (lbs.)
5007	90 psi	3/8"	11,000	18	4.3

### FOOTNOTES

- \* Parts Available in Repair Kit 5006-RK\*
- \*\* Parts available in Gov. Assy. Kit 5006-GA\*



When ordering spare parts, please specify tool type, part number and description

10000 SE PINE, PORTLAND, OR 97216  
503-254-1749 FAX 503-256-4026

REVISED 12/08