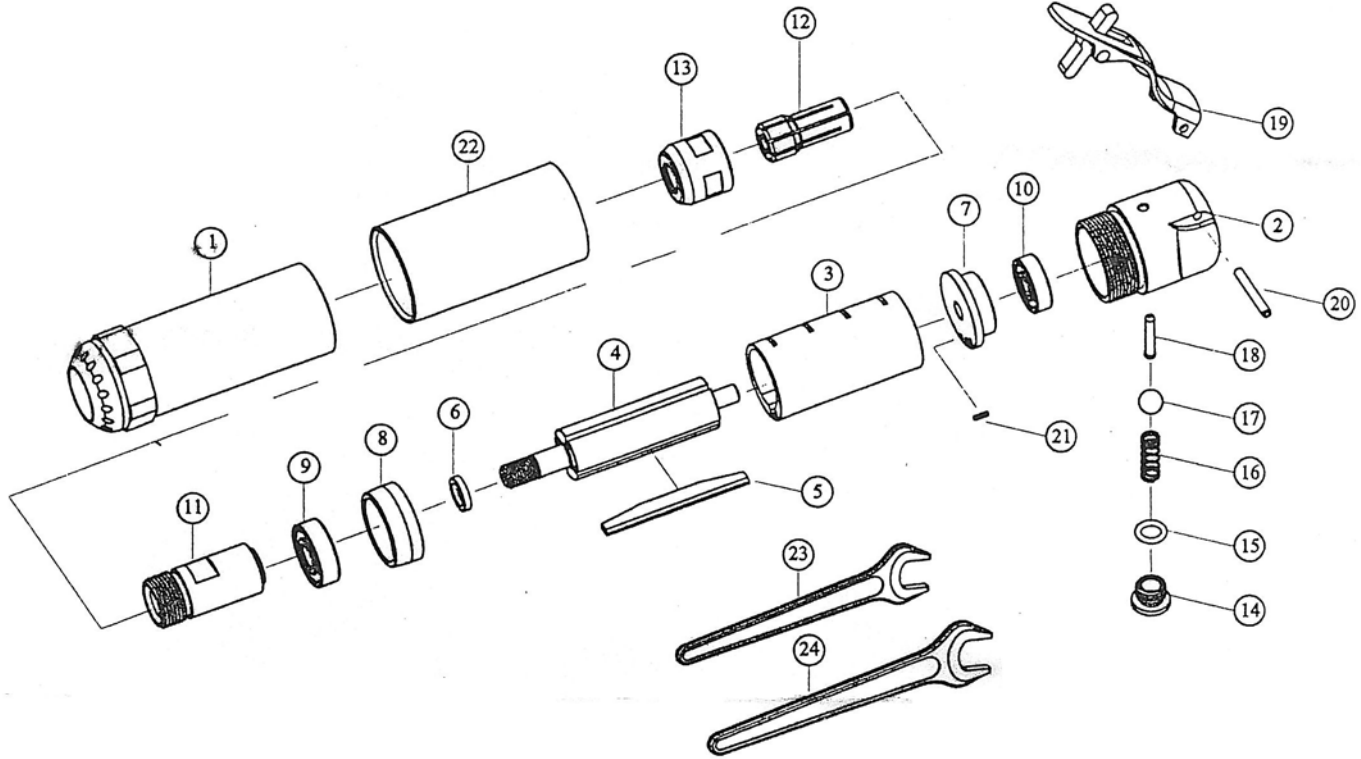


5125

25,000 RPM DIE GRINDER

EXPLODED VIEW ONLY



PARTS LIST – FOR REFERENCE ONLY

Index Number	Part Number	Description	Qty.	Index Number	Part Number	Description	Qty.	Index Number	Part Number	Description	Qty.
1	95200A0 1	Body	1	9	95200A0 9	Front Bearing	1	17	95200A1 7	Valve Ball	1
2	95200A0 2	Throttle Housing	1	10	95200A1 0	Rear Bearing	1	18	95200A1 8	Valve Stem	1
3	95200A0 3	Cylinder	1	11	95200A1 1	Chuck	1	19	95200A1 9	Safety Lever	1
4	95200A0 4	Rotor	1	12	95200A1 2	Collet	1	20	95200A2 0	Lever Pin	1
5	95200A0 5	Vanes	5	13	95200A1 3	Cap Nut	1	21	95200A2 1	Pin	1
6	95200A0 6	Spacer	1	14	95200A1 4	Throttle Plug	1	22	95200A2 2	Ergo Sleeve	1
7	95200A0 7	Rear Bearing Housing	1	15	95200A1 5	O-Ring	1	23	95200A2 3	Chuck Spanner	1
8	95200A0 8	Front Bearing Housing	1	16	95200A1 6	Spring	1	24	95200A2 4	Cap Nut Spanner	1

TECHNICAL DATA

RPM	M ³ /Min	kg	dB(A)	m/s ²
Free Speed	Max Air Flow	Weight	Sound Pressure Level	Vibration Value
25,000	.63	.65	<85	<2.5

FOOTNOTES

When ordering spare parts, please specify tool type, part number and description

10000 SE PINE ST, PORTLAND, OR 97216
503 254 1749 FAX 503 256 4026

REVISED 6/09

