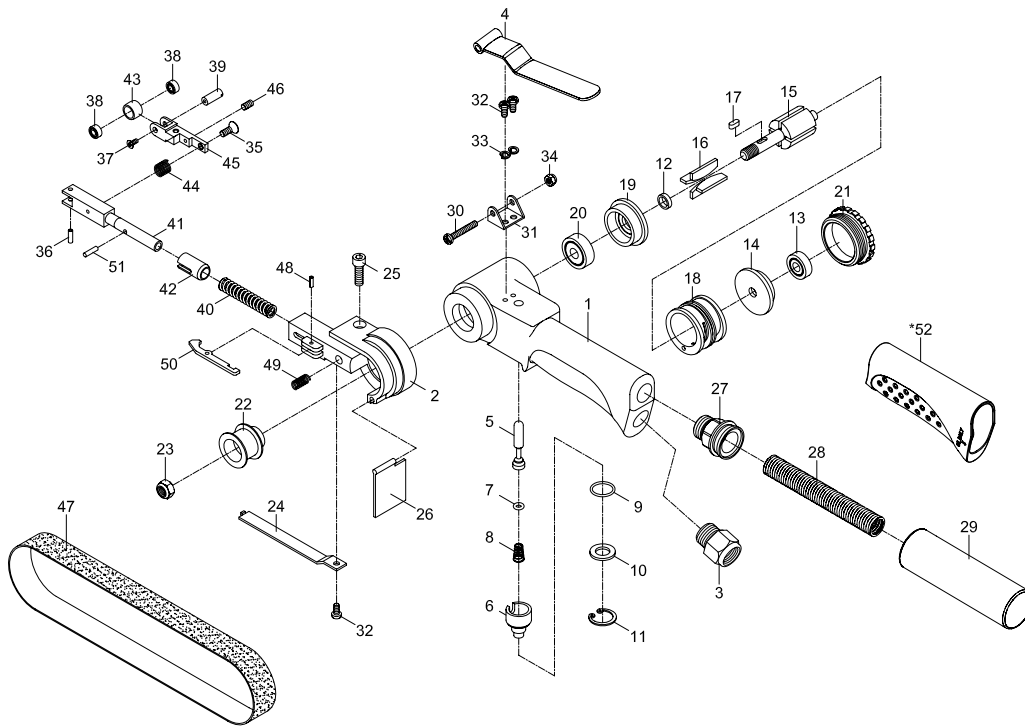


6114 MINI-BELT SANDER

EXPLODED VIEW



PARTS LIST — FOR REFERENCE ONLY

Index Number	Part Number	Description	Qty	Index Number	Part Number	Description	Qty.
1	61001	Housing	1	27	62027	Nipple	1
2	61002	Guard Body	1	28	62028	Spring	1
3	62003	Air Inlet	1	29	62029	Silencer	1
4	62004	Lever	1	30	62030	Screw (M4x25L)	1
5	62005	Valve Stem	1	31	62031	Lever Support	1
6	62006	Adjust Valve	1	32	62032	Screw (M4x8L)	3
7	30107	O-Ring (3.9x1.9)	1	33	40147	Spring Washer (M4)	2
8	62008	Spring	1	34	62034	Nut (M4)	1
9	62009	O-Ring (14.5x1.5)	1	35	61035	Screw (M3x8L)	1
10	62010	Spacer	1	36	61036	Spring Pin (3x10L)	1
11	62011	Retaining Ring (RTW-18)	1	37	61037	Screw (M2x5L)	1
12	61012	Spacer	1	38	061038	Ball Bearing (684zz)	2
13	051825	Ball Bearing (607ZZ)	1	39	61039	Idle Pulley Shaft	1
14	61014	Rear End Plate	1	40	61040	Spring	1
15	61015	Rotor	1	41	61041	Tension Bar	1
16	61016	Rotor Blade	4	42	61042	Bushing	1
17	61017	Key	1	43	61043	Idle Pulley	1
18	61018	Cylinder	1	44	61044	Spring	1
19	61019	Front End Plate	1	45	61045	Bracket	1
20	061020	Ball Bearing (628ZZ)	1	46	61046	Screw (M3x6L)	1
21	61021	Cap	1	47	61060	Grinding Belt	1
22	61222	Drive Pulley	1	48	61048	Spring Pin (2.5x8L)	1
23	63042	Hexagon Nut (M6x1)	1	49	61049	Spring	1
24	61024	Shoe	1	50	61050	Safety Lever	1
25	40343	Screw	1	51	61249	Lock Pin(3x11.8L)	1
26	61026	Dust Cover	1	*52	6T-620053	Grip	1

FOOTNOTES

EAGLE

10000 SE Pine Street
Portland, OR 97216
503-254-6600
FAX 503-255-2615

When ordering spare parts, please specify
tool type, part number and description.