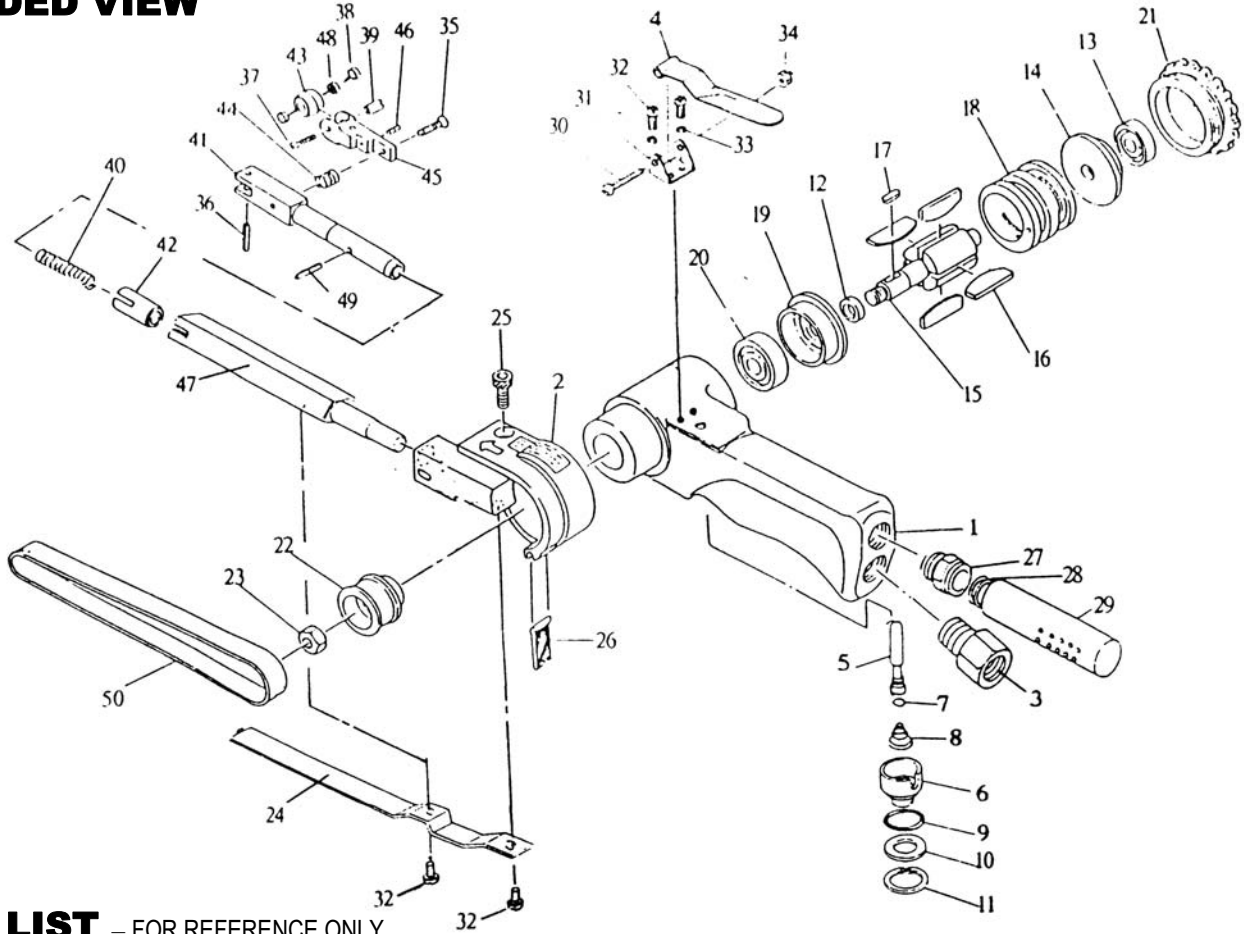


6115 MINI-BELT SANDER

EXPLODED VIEW



PARTS LIST – FOR REFERENCE ONLY

Index Number	Part Number	Description	Qty.	Index Number	Part Number	Description	Qty.	Index Number	Part Number	Description	Qty.
1	61201	Housing	1	18	61218	Cylinder	1	35	61235	Cross-Rec, Pan Head Ma-	1
2	61202	Guard Sub	1	19	61219	Front end Plate	1	36	61236	Spring Pin	1
3	61203	Air Inlet	1	20	61220	Ball Bearing	1	37	61237	Cross-Rec, Pan Head Ma-	1**
4	61204	Lever	1	21	61221	Cap	1	38	61238	Ball Bearing	1**
5	61205	Valve Stem	1	22	61222	Drive Pulley	1	39	61239	Idle Pulley Shaft	1**
6	61206	Adjust Valve	1	23	61223	Hexagon nut	1	40	61240	Spring	1
7	61207	O Ring	1*	24	61224	Shoe	1	41	61241	Tension Bar	1
8	61208	Spring	1	25	61225	Hexagon socket head bolt	1	42	61242	Bushing	1
9	61209	O Ring	1*	26	61226	Dust cover	1*	43	61243	Idle pulley	1**
10	61210	Spacer	1	27	61227	Nipple	1	44	61244	Spring	1
11	61211	Retaining ring	1*	28	61228	Spring	1	45	61245	Bracket	1
12	61212	Spacer	1	29	61229	Silencer	1	46	61246	Hexagon Socket Headless	1
13	61213	Ball Bearing	1	30	61230	Pan Head Machine Scw.1	1	47	61247	Extension Bar	1
14	61214	Rear End Plate	1	31	61231	Lever Support	1	48	61248	Spacer	1
15	61215	Rotor	1	32	61232	Pan Head Machine Scw.1	3	49	61249	Lock Pin 3x9.8L	1
16	61016	Blade	4*	33	61233	Spring Washer	2	50	61250	Grinding Belt (120 GRIT)	1
17	61217	Key	1	34	61234	Hexagon Nut	1				

TECHNICAL DATA

	Max Air Pressure	Recommended Air Hose Size	RPM Free Speed	Max Air Flow CFM	Weight (lbs.)
6115 (Formerly 6015A)	90 psi	3/8"	16,000	14.2	1.7

FOOTNOTES

- * Parts Available in Repair Kit 6015A-RK*
- ** Parts Available in Repair Kit 6015A-RBK



When ordering spare parts, please specify tool type, part number and description

10000 SE PINE, PORTLAND, OR 97216
503-254-1749 FAX 503-256-4026

REVISED 6/09