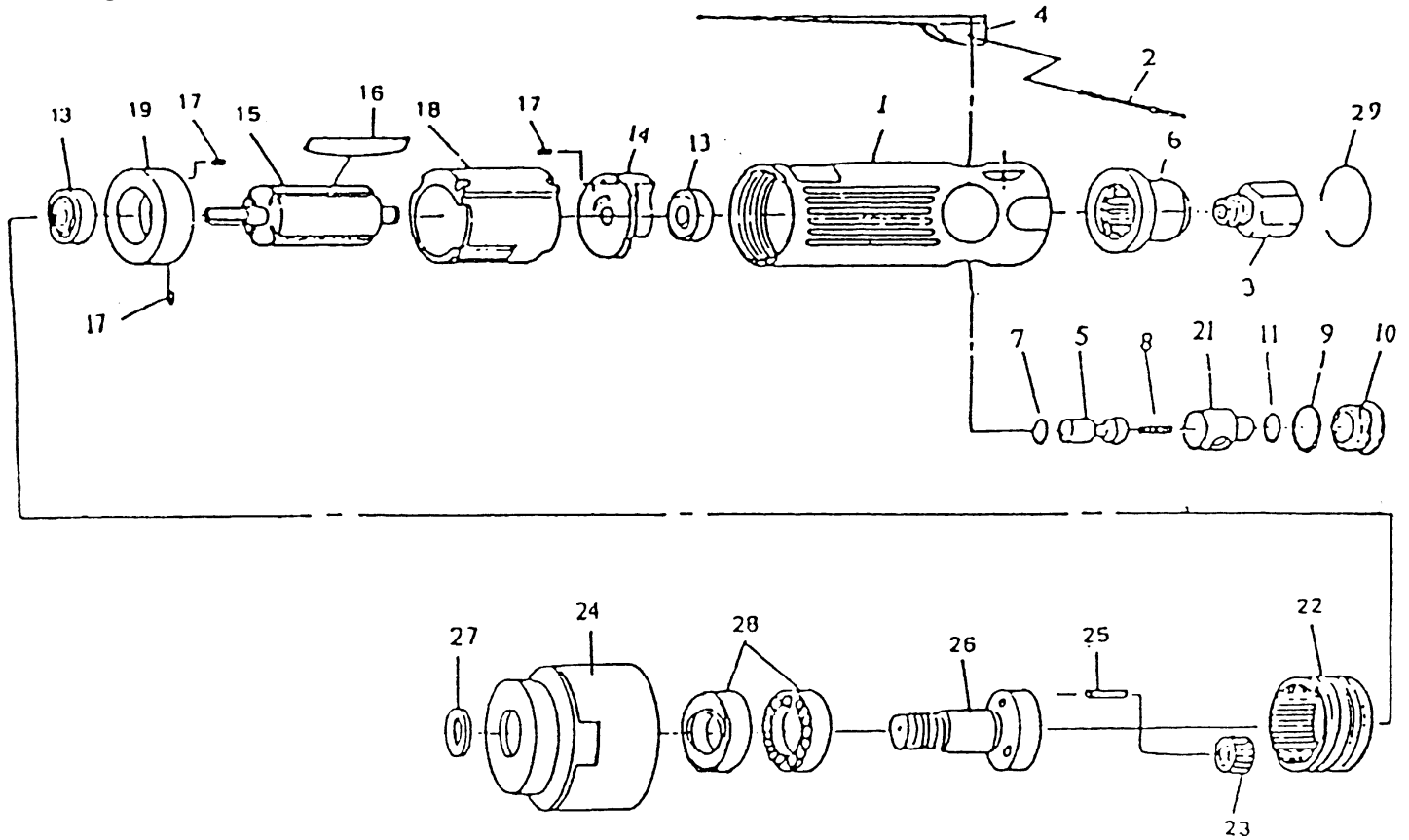


7100 INLINE DRILL

EXPLODED VIEW



PARTS LIST – FOR REFERENCE ONLY

Index Number	Part Number	Description	Qty.	Index Number	Part Number	Description	Qty.	Index Number	Part Number	Description	Qty.
1	51201	Motor Housing	1	10	20310	Throttle Valve Plug	1	21	20321	Air Regulator	1
2	30102	Lever Pin	1	11	51211	O Ring	1 *	22	71022	Internal Gear	1
3	50103	Air Inlet	1	13	30113	Ball Bearing	2	23	80223	Planet Gear	3
4	51204	Throttle Valve	1	14	51214	Rear End Plate	1	24	71024	Front Housing	1
5	20305	Valve Stem	1	15	70615	Rotor	1	25	80225	Pin	3
6	51206	Exhaust Deflector	1	16	51216	Rotor Blades	4 *	26	70626	Planet Cage	1
7	51207	O Ring	1 *	17	70117	Pin	3	27	70133	Chuck Spacer	1
8	51208	Valve Spring	1 *	18	70118	Cylinder	1	28	80227	Ball Bearing	2
9	51209	O ring	1 *	19	70619	Front end Plate	1	29	51243	Retainer Ring	1

TECHNICAL DATA

	Max Air Pressure	Recommended Air Hose Size	RPM Free Speed	Max Air Flow CFM	Weight (lbs.)
7100 (Formerly 3000)	90 psi	3/8	2,500	16	2.0

FOOTNOTES

* Parts Available in Repair Kit 3000-RK*



When ordering spare parts, please specify tool type, part number and description

10000 SE PINE, PORTLAND, OR 97216
503-254-1749 FAX 503-256-4026

REVISED 7/99