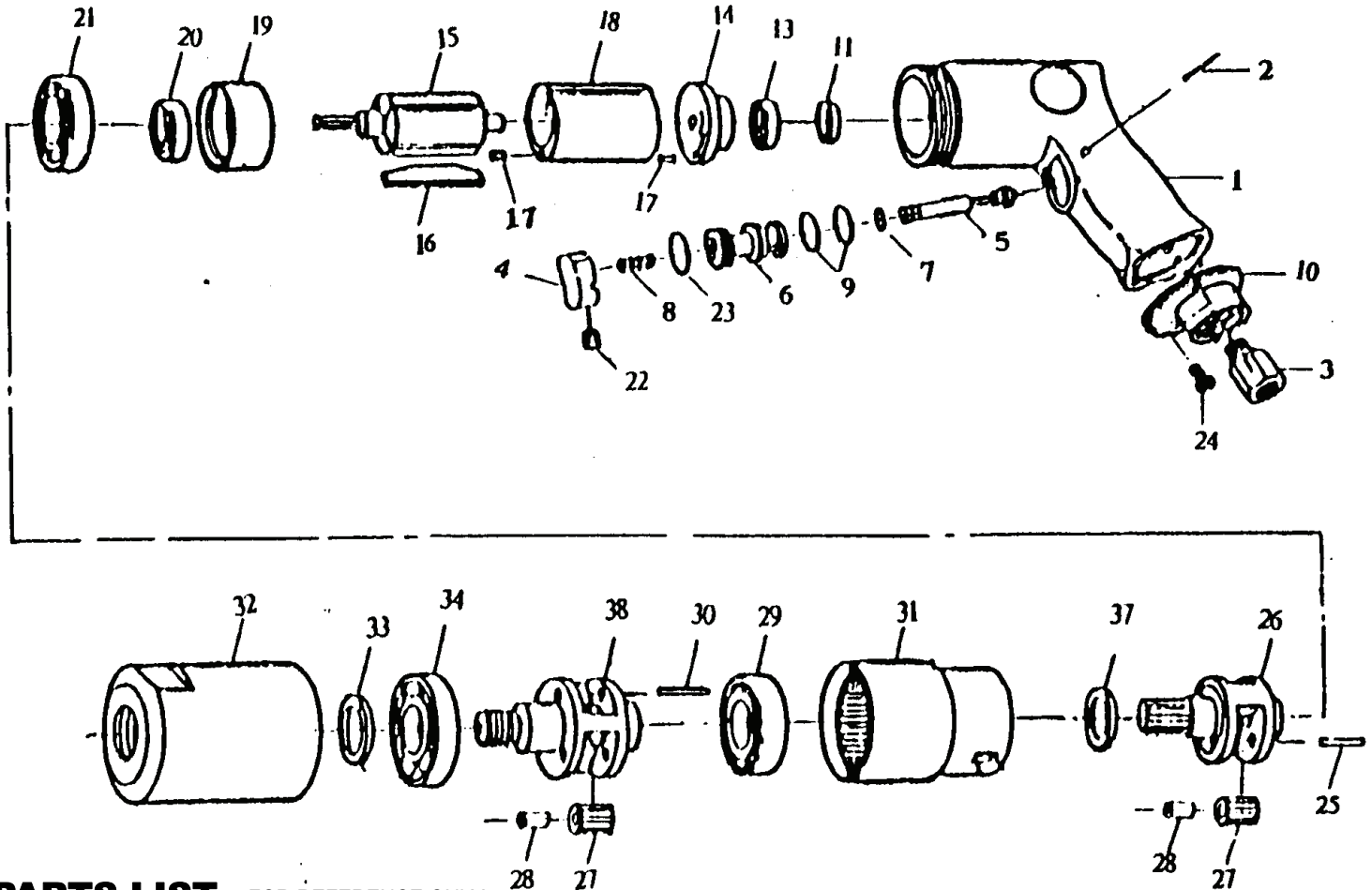


7105 1/2" DRILL

EXPLODED VIEW



PARTS LIST – FOR REFERENCE ONLY

Index Number	Part Number	Description	Qty.	Index Number	Part Number	Description	Qty.	Index Number	Part Number	Description	Qty.
1	70301	Motor Housing	1	15	70315	Rotor	1	28	70328	Bushing	5
2	70302	Pin	1	16	70316	Rotor Blades	4*	29	70329	Ball Bearing	1
3	70303	Air Intake Bushing	1	17	70317	Pin	2	30	70330	Planet Pin	3
4	70304	Trigger	1	18	70318	Cylinder	1	31	70331	Internal Gear	1
5	70305	Valve Stem	1	19	70319	Front End Plate	1	32	70332	Front Housing	1
6	70306	Valve Bushing	1	20	70320	Ball Bearing	1	33	70333	Seal	1
7	70307	O-Ring	1*	21	70321	Ball Bearing	1	34	70334	Ball Bearing	1
8	70308	Spring	1*	22	70322	Set Screw	1	37	70337	Washer	1
9	70309	O-Ring	2*	23	70323	O-Ring	1*	38	70338	Planet Cage	1
10	70310	Muffler Diffuser	1	24	70324	Screw	2	39	70339	Connector (not pictured)	1
11	70311	Bearing Cap	1*	25	70325	Planet Pin	2	40	70340	Handle (not pictured)	1
13	70313	Ball Bearing	1	26	70326	Planet Cage	1*	41	70340A	Handle Assembly (39 & 40)	1
14	70314	Rear Plate	1	27	70327	Planet Gears	5				

TECHNICAL DATA

Model Number	Max Air Pressure	Recommended Air Hose Size	RPM Free Speed	Max Air Flow CFM	Weight (lbs.)
7105 (Formerly 3005)	90 psi	3/8"	500	20	4.0

FOOTNOTES

* Parts Availabl in Repair Kit 3005-RK*



When ordering spare parts, please specify tool type, part number and description

10000 SE PINE, PORTLAND, OR 97216
503-254-1749 FAX 503-256-4026

REVISED 7/06