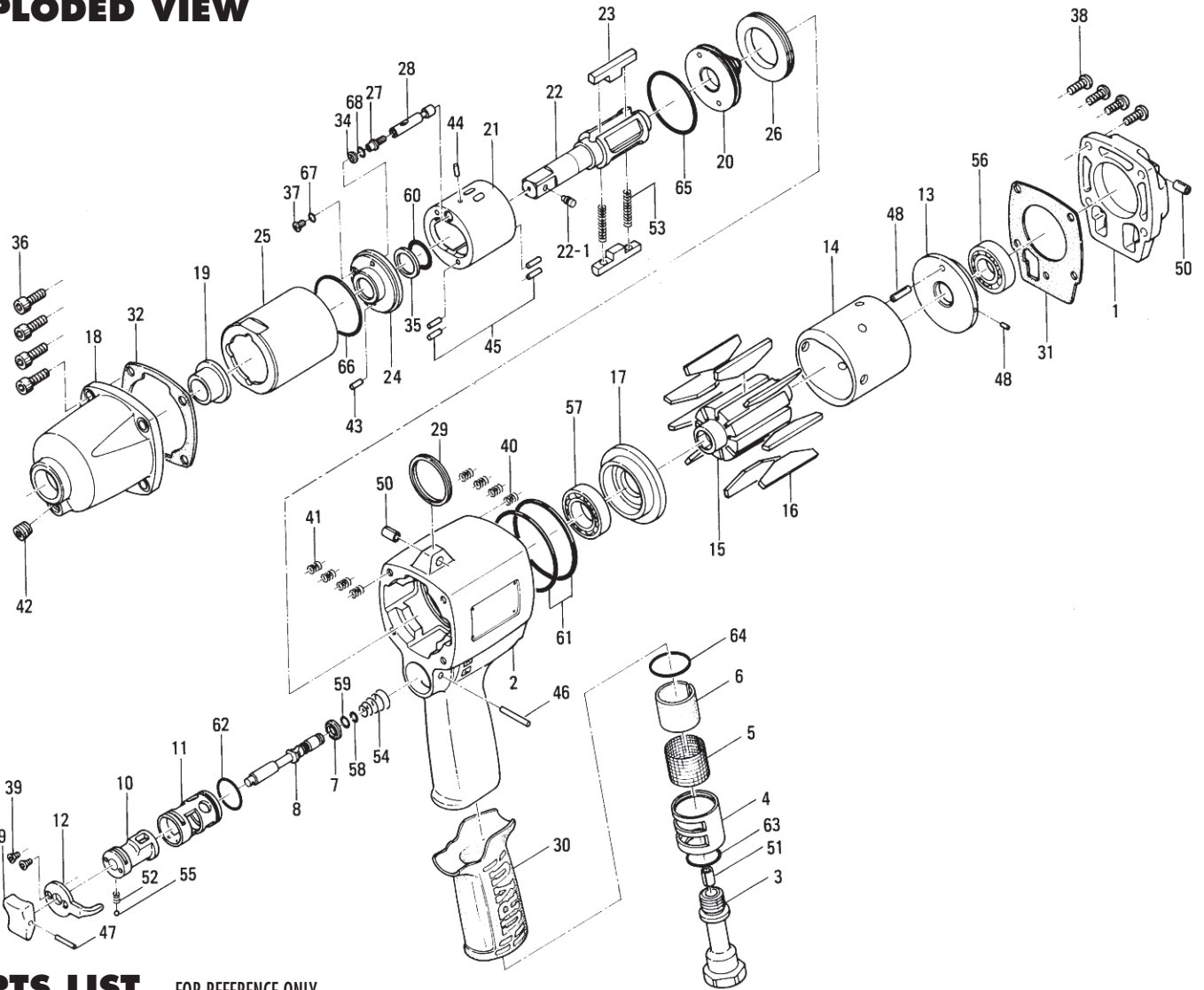


EXPLODED VIEW



PARTS LIST — FOR REFERENCE ONLY

Index Number	Part Number	Description	Qty.	Index Number	Part Number	Description	Qty.	Index Number	Part Number	Description	Qty.
1	194-012-6	Head Cover	1	25	194-905-6	Liner Casing	1	51	973-360-0	Roll Pin (8 x 10)	1
2	163-025-3	Handle	1	26	194-906-4	Liner Casing Setter	1	52	976-006-0	Spring (3 x 5) (0.4)	1
3	163-091-4	Air Inlet Bushing	1	27	175-907-9	Relief Valve Spindle	1	53	976-453-0	Spring (4.5 x 34.5) (0.6)	2 ●
4	163-780-3	Exhaust Bushing	1	28	163-970-3	Relief Valve	1	54	977-228-0	Cone Spring (9 x 14.5 x 22)	1
5	163-042-3	Silencer	1	29	004-790-2	Suspension Ring	1	55	981-002-0	Ball (1/8)	1
6	163-835-3	Filter	1	30	173-842-0	Handle Cover	1	56	982-404-0	Ball Bearing (EE-5)	1
7	163-100-3	Valve	1	31	194-853-6	Head Cover Packing	1	57	982-905-0	Ball Bearing (69040)	1
8	163-104-3	Valve Rod	1	32	194-867-6	Front Casing Packing	1	58	990-002-0	O-Ring (P4)	1
9	177-107-5	Valve Lever	1	34	944-205-0	Supporting Ring (5.1 x 7 x 1)	1 ●	59	990-004-0	O-Ring (P6)	1
10	152-210-4	Reverse Valve	1	35	944-210-0	Supporting Ring (16 x 19.9 x 1)	1 ●	60	992-021-0	O-Ring (Q16) (NTN)	1 ●
11	163-211-3	Reverse Valve Bushing	1	36	945-216-0	Allen Head Bolt (M6 x 16)	4	61	990-316-0	O-Ring (ARPS68-035)	2
12	163-212-3	Reverse Lever	1	37	945-942-0	Allen Head Bolt (M4 x 6) (S)	1	62	990-916-0	O-Ring (SNS-18)	1
13	163-285-3	Rear Plate	1	38	945-955-0	Allen Head Bolt (M5 x 16)	4	63	990-918-0	O-Ring (SNS-20)	1
14	163-286-3	Cylinder	1	39	948-423-0	Allen Head Bolt (M3 x 6)	2	64	990-920-0	O-Ring (SNS-25)	1
15	163-287-3	Rotor	1	40	965-011-0	Heil-Sert (M5 x 1.5D)	4	65	990-930-0	O-Ring (SNS-40)	1 ●
16	152-288-4	Blade (PC)	9	41	965-021-0	Heil-Sert (M6 x 1.5D)	4	66	990-932-0	O-Ring (SNS-42)	1 ●
17	163-289-3	Front Plate	1	42	966-100-0	Allen Head Plug (1/8)	1	67	990-971-0	O-Ring (SNS-3) (NOK)	1 ●
18	194-439-6	Front Casing	1	43	969-450-0	Pin (G) (3 x 8)	1	68	990-972-0	O-Ring (SNS-4) (NOK)	1 ●
19	189-328-8	Anvil Bushing	1	44	970-093-0	Pin (H) (2 x 6)	1				
20	194-901-6	Rear Liner Plate	1	45	970-206-0	Pin (H) (3 x 8)	4				
21	166-902-3	Liner	1	46	971-126-0	Pin (2 x 26)	1				
22	891-313-1	Anvil (OP-P)	1	47	973-014-0	Roll Pin (2 x 14)	1				
22-1	891-304-1	Socket Pin Assembly	1	48	973-066-0	Roll Pin (2.5 x 6)	1				
23	194-440-7	Driving Blade	2	49	973-212-0	Roll Pin (4 x 12)	1				
24	175-904-7	Front Liner Plate	1	50	973-340-0	Roll Pin (6 x 10)	2				

ACCESSORIES

70	939-104-0	Allen Wrench (5mm)	1
71	939-105-0	Allen Wrench (4mm)	1
72	939-109-0	Allen Wrench (2mm)	1

● Items in Pulse Repair Kit Alpha-130-PRK

AIMCO also offers a complete line of standard & special adapters, bits, sockets and extensions.


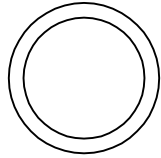
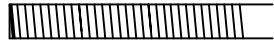
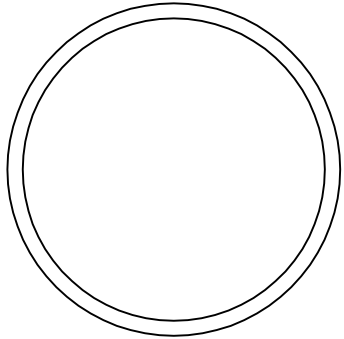
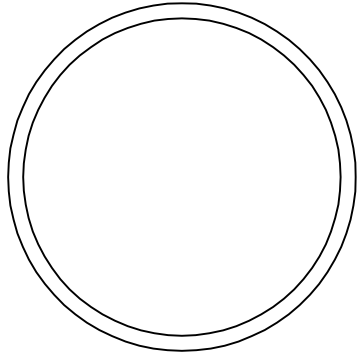


**10000 SE PINE,
PORTLAND, OR 97216
503-254-6600
FAX 503-255-2615**

When ordering spare parts, please specify tool type, part number and description.

ALPHA-130-PRK

(Kit contains following parts)

#/#	Item Number on Exploded View	Part Number	QTY	Description	Material	Drawing / Scketch
1	34	944-205-0	1	Back Up Ring	Teflon-White	
2	35	944-210-0	1	Support Ring	Teflon-White	
3	53	976-453-0	2	Spring	Spring wire	
4	65	990-930-0	1	O-Ring	Buna-Black	
5	66	990-932-0	1	O-Ring	Buna-Black	

ALPHA-130-PRK

(Kit contains following parts)

#/#	Item Number on Exploded View	Part Number	QTY	Description	Material	Drawing / Scketch
6	67	990-971-0	2	O-Ring	Buna-Black	
7	68	990-972-0	1	O-Ring	Buna-Black	
8	60	992-021-0	1	SU-Ring	Buna-Black	