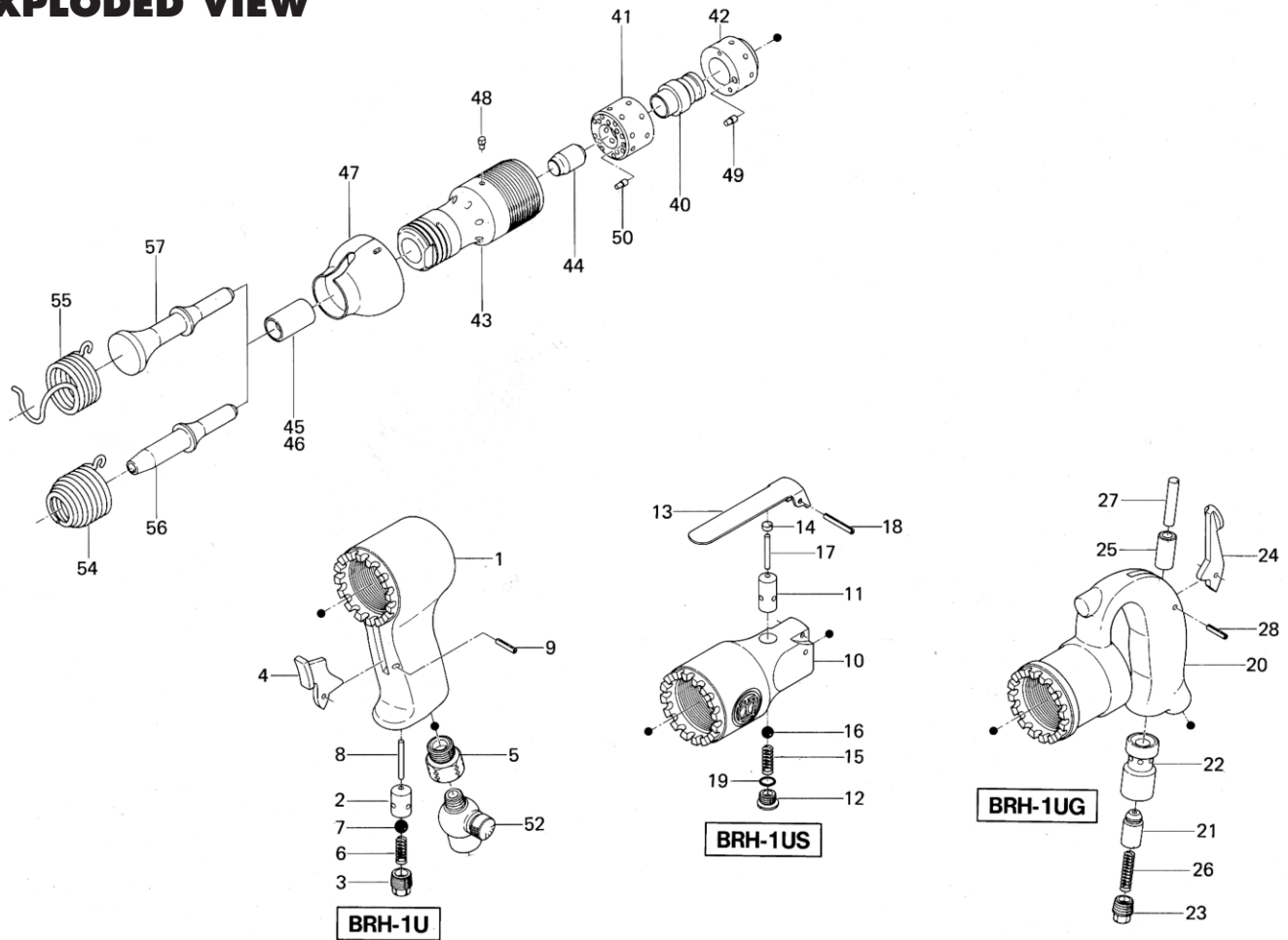


BRH-1U·1US·1UG, BABY RIVETING HAMMERS

EXPLODED VIEW



PARTS LIST — FOR REFERENCE ONLY

705-982-1 HANDLE ASSEMBLY FOR BRH-1U

Index Number	Part Number	Description	Qty.
1	705-011-2	Handle	1
2	705-102-1	Valve Bushing	1
3	719-108-1	Valve Plug	1
4	705-107-1	Throttle Trigger	1
5	185-091-7	Air Inlet Bushing	1
6	976-129-0	Spring (6.5x21)	1
7	981-207-0	Steel Ball (9/32)	1
8	970-228-0	Pin (H) (3 x 28)	1
9	973-116-0	Roll Pin (3x16)	1

706-002-1 HANDLE ASSEMBLY FOR BRH-1US

Index Number	Part Number	Description	Qty.
10	706-011-2	Handle	1
11	705-102-1	Valve Bushing	1
12	601-108-1	Valve Plug	1
13	418-107-1	Valve Lever	7
5	185-091-7	Air Inlet Bushing	1
14	706-106-1	Valve Rod cap	1

Index Number	Part Number	Description	Qty.
15	976-114-0	Spring (6x18)	1
16	981-207-0	Steel Ball (9/32)	1
17	970-226-0	Pin (H) (3x26)	1
18	973-124-0	Roll Pin (3x24)	1
19	990-904-0	O-Ring (SNS-6)	1

707-001-1 HANDLE ASSEMBLY FOR BRH-1UG

Index Number	Part Number	Description	Qty.
20	707-010-2	Handle	1
21	719-100-1	Valve	1
22	719-102-1	Valve Bushing	1
23	719-108-1	Valve Plug	1
24	707-107-1	Throttle Trigger	1
25	093-103-1	Valve Rad Bushing	1
26	976-116-0	Spring (6x32)	1
27	970-532-0	Pin (H) (6x32)	1
28	973-116-0	Roll Pin (3x16)	1

BRH-1 SERIES COMMON PARTS

40	705-195-1	Main Valve	1
----	-----------	------------	---

Index Number	Part Number	Description	Qty.
41	705-196-1	Valve Box	1
42	705-197-1	Valve Box Cover	1
43	705-286-1	Cylinder	1
44	705-546-1	Piston	1
45	705-567-1	Bushing (R)	1
46	786-567-1	Bushing (H)	1
47	705-782-1	Exhaust Deflector	1
48	980-010-0	Flat Head Notch (3)	1
49	980-006-0	Round Head Notch (3)	1
50	980-005-0	Round Head Notch (2.5)	1

ACCESSORIES

52	932-110-0	Air Regulator (U1/4)	1
53	942-114-0	Connecting Screw (1/4xNPT1/4)	1
54	705-810-1	Retainer Spring (Small)	1
55	705-813-1	Retainer Spring (Flat)	1
56	920-021-1	Round Head Rivet Set (3.0)	1
57	920-800-0	Flat Head Rivet Set (Large)	1



10000 SE Pine Street
Portland, OR 97216
503-254-6600
FAX 503-255-2615

When ordering spare parts, please specify
tool type, part number and description.