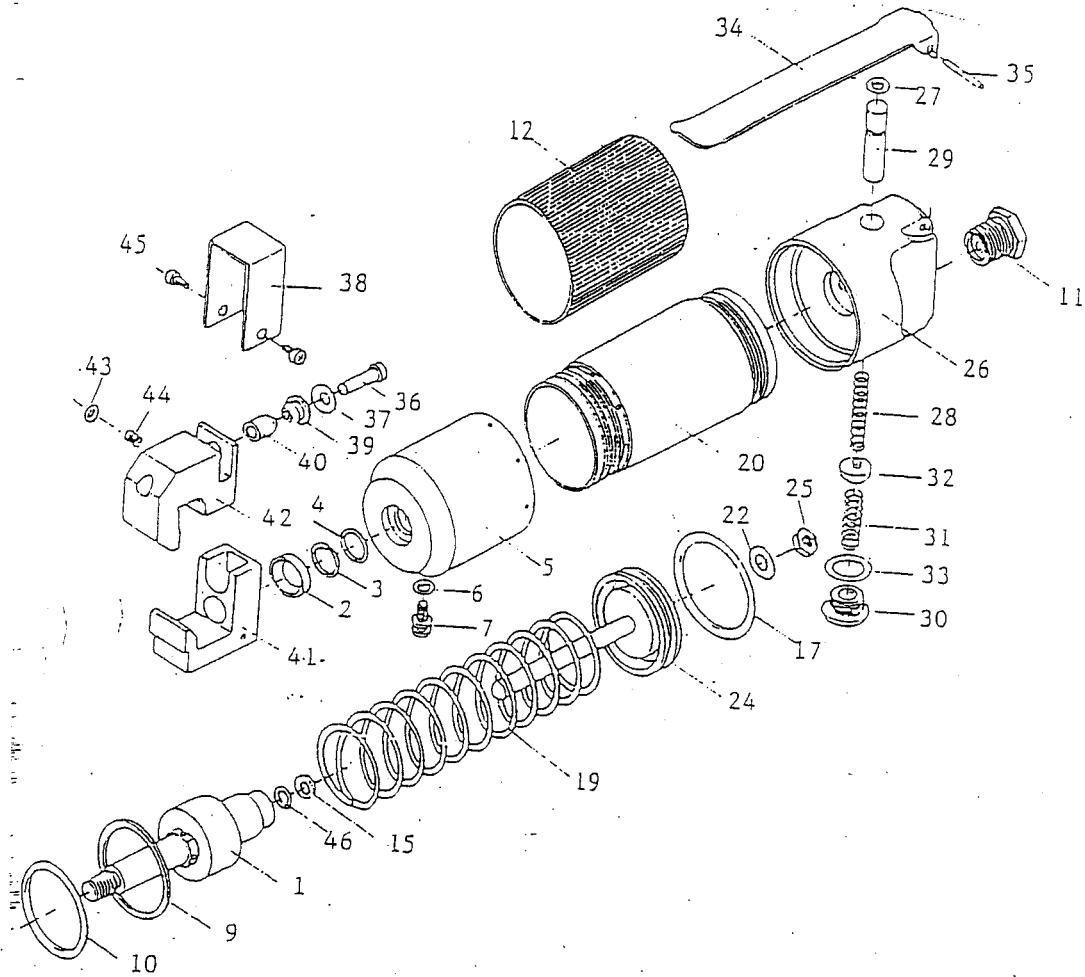


AMERICAN RODCRAFT	Punch/Flange Tool	Model 6301	Series A	
------------------------------	--------------------------	-----------------------	---------------------	---



SPARE PARTS NO.	DESCRIPTION	SPARE PARTS NO.	DESCRIPTION
RC6301A-01	Hydr. Piston	RC6301A-28	Spring
RC6301A-02TK	Oil Seal	RC6301A-29	Push Rod
RC6301A-03	Support Ring	RC6301A-30	Screw
RC6301A-04TK	O-Ring	RC6301A-31	Spring
RC6301A-05	Hydraulic Cylinder	RC6301A-32TK	Valve
RC6301A-06Tk	O-Ring	RC6301A-33TK	O-Ring
RC6301A-07	Oil Plug	RC6301A-34	Lever
RC6301A-09	Support Ring	RC6301A-35	Spring Pin
RC6301A-10TK	O-Ring	RC6301A-36	Punch
RC6301A-11	Air Inlet	RC6301A-37	Cup Spring
RC6301A-12	Plastic Wraper	RC6301A-38	Cover Plate
RC6301A-15	Support Ring	RC6301A-39	Guide Bushing
RC6301A-17TK	O-Ring	RC6301A-40	Punch Die
RC6301A-19	Spring	RC6301A-41	Anvil, incl. Part-no. 43
RC6301A-20	Air cylinder	RC6301A-42	Clamp
RC6301A-22	Washer	RC6301A-43	Plug
RC6301A-24	Air Piston incl. 22&25	RC6301A-44	Locking Screw
RC6301A-25	Locking Nut	RC6301A-45	Screw
RC6301A-26	Valve Body	RC6301A-46TK	O-Ring
RC6301A-27TK	O-Ring	RC6301A-TK	Tune Up Kit 2,4,6,10,17,27,32,33,46

Tune Up Kit: includes all parts having "TK" at the end.
 Repair Kit: includes all parts having "TK" and "RK" at the end.
 For spare parts orders pls. give following information:

Model	Series	Spare Part No.	Description
RC6301	A	RC6301A-25	Locking Nut