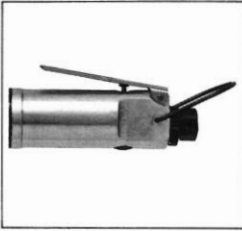


SBH-1A BABY RIVETING HAMMER

EXPLODED VIEW

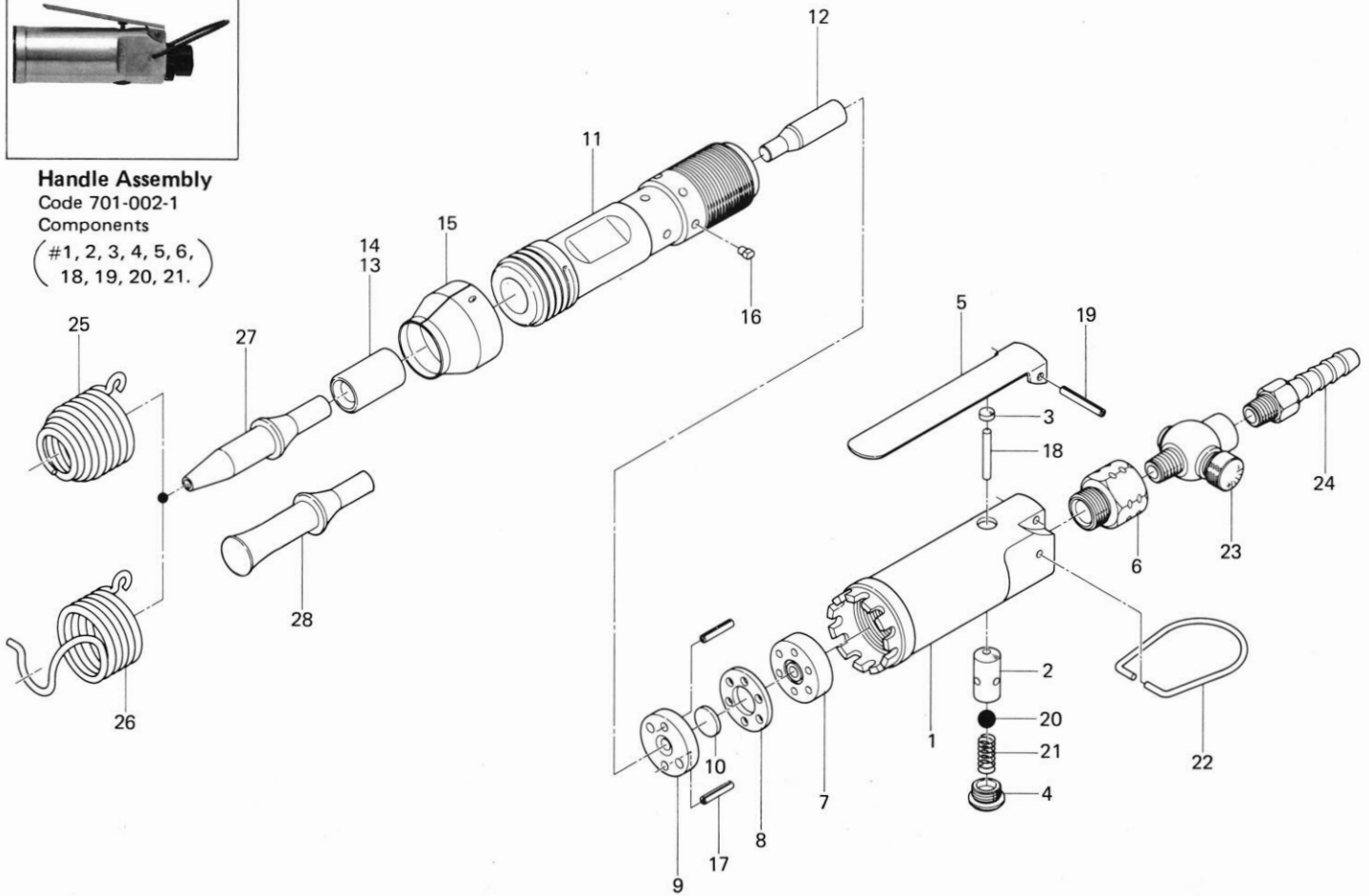


Handle Assembly

Code 701-002-1

Components

(#1, 2, 3, 4, 5, 6,
18, 19, 20, 21.)



PARTS LIST

Handle assembly components are marked with "O".

Index No.	Code No.	Part Name	Quantity	Index No.	Code No.	Part Name	Quantity
# 1	701-011-2	O Handle	1	#16	701-565-1	Lock Sleeve Key	1
# 2	010-102-1	O Valve Bushing	1	#17	701-764-0	Notch Pin (3x17)	2
# 3	701-106-1	O Valve Rod Cap	1	#18	970-224-0	O Pin (H) (3x24)	1
# 4	201-108-1	O Valve Plug	1	#19	973-124-0	O Roll Pin (3x24)	1
# 5	500-107-1	O Valve Lever	1	#20	981-207-0	O Ball (9/32)	1
# 6	185-091-7	O Air Inlet Bushing	1	#21	976-151-0	O Spring (7x16)	1
# 7	701-198-1	Rear Valve Seat	1	Standard Accessories			
# 8	701-199-1	Medium Valve Seat	1	#22	010-790-1	Suspension Ring	1
# 9	701-200-1	Front Valve Seat	1	#23	932-110-0	Air Regulator (U 1/4)	1
#10	701-195-1	Main Valve	1	#24	940-113-0	Air Hose Nipple (NPT 1/4x1/4)	1
#11	701-286-1	Cylinder	1	#25	705-810-1	Retainer Spring (Small)	1
#12	701-546-1	Piston	1	#26	705-813-1	Retainer Spring (Flat)	1
#13	705-567-1	Bushing (R)	1	#27	920-020-0	Round Head Rivet Set (2.6)	1
#14	786-567-1	Bushing (H)	1	#28	920-801-0	Flat Head Rivet Set (3.0)	1
#15	701-782-1	Exhaust Deflector	1				

NOTES

AIMCO also offers a complete line of standard & special adapters, bits, sockets and extensions.

REVISED 11/09



10000 SE PINE ST,
PORTLAND, OR 97216
503-254-6600
FAX 503-255-2615

When ordering spare parts, please specify tool type, part number and description.