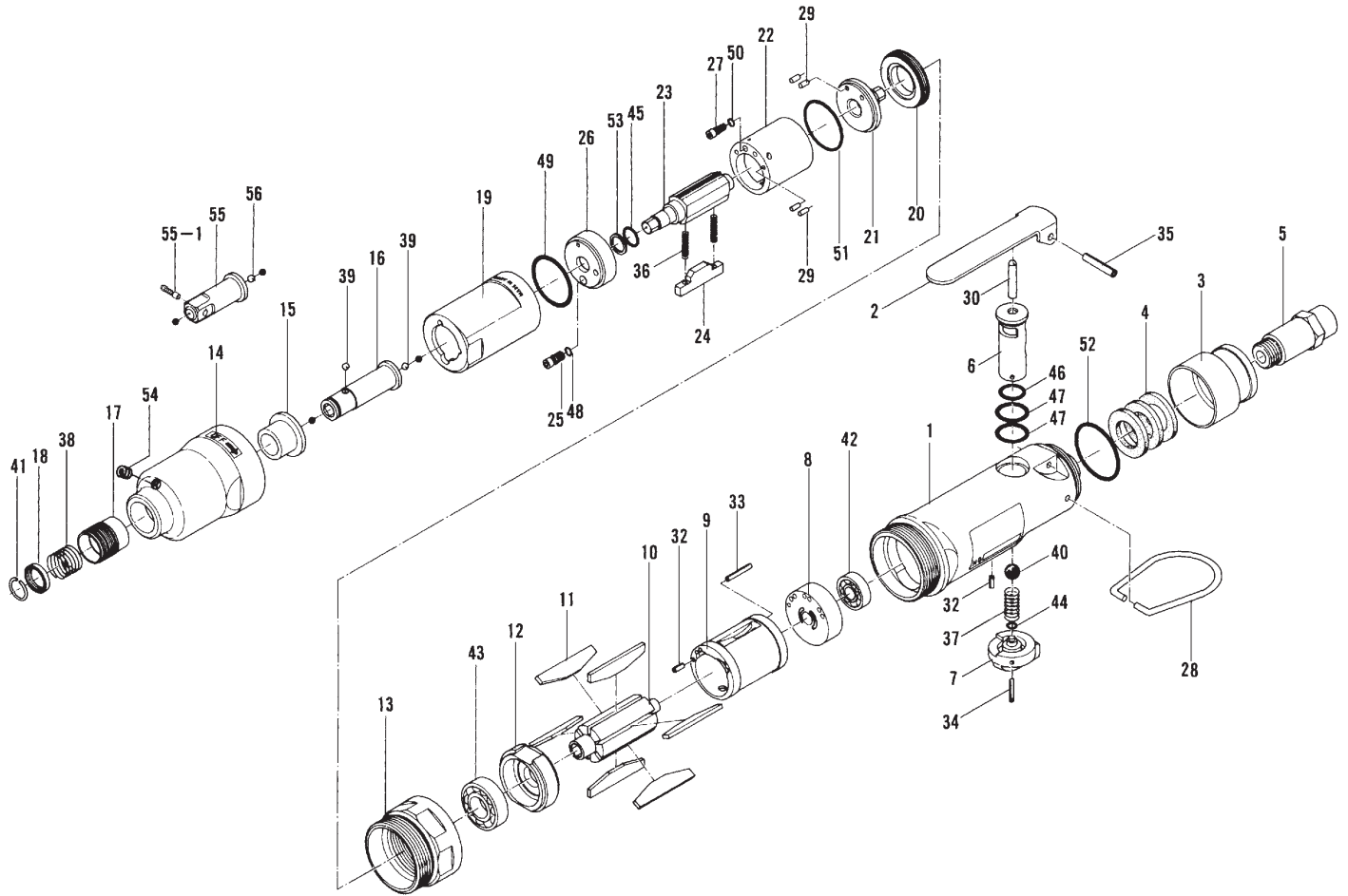


U-410SD & U-410S U-WRENCH

EXPLODED VIEW



PARTS LIST — FOR REFERENCE ONLY

Index Number	Part Number	Description	Qty.	Index Number	Part Number	Description	Qty.	Index Number	Part Number	Description	Qty.
1	191-025-8	Handle	1	23	191-319-6	Anvil	1	45	990-951-0	O-Ring (P8) (NOK)	1
2	500-107-1	Valve Lever	1	24	198-440-1	Driving Blade	1	46	990-007-0	O-Ring (P9)	1
3	197-782-6	Exhaust Cover	1	25	191-970-6	Relief Valve	1	47	990-014-0	O-Ring (P14)	2
4	161-835-4	Filter	3	26	191-904-6	Front Liner Plate	1	48	990-320-0	O-Ring (ARP-568-003)	1
5	191-091-7	Air Inlet Bushing	1	27	194-742-0	Oil Plug	1	49	990-331-0	O-Ring (JW1530-21)	1
6	418-210-1	Reverse Valve	1	28	010-790-1	Suspension Ring	1	50	990-900-0	O-Ring (SNS2)	1
7	418-212-1	Reverse Lever	1	29	970-091-0	Pin (H) (2 x 4.5)	4	51	990-919-0	O-Ring (SNS22)	1
8	197-285-6	Rear Plate	1	30	970-322-0	Pin (H) (4 x 22)	1	52	990-922-0	O-Ring (SNS28)	1
9	476-286-3	Cylinder	1	31	969-449-0	Pin (G) (3 x 6)	1	53	944-007-0	Supporter Ring (7.85 x 11.1 x 1)	1
10	191-287-6	Rotor	1	32	973-006-0	Roll Pin (2 x 6)	2	54	966-110-0	Allen Head Plug (PT 1/16)	1
11	197-288-6	Blade	6	33	973-016-0	Roll Pin (2 x 16)	1	55	891-343-1	SQ Drive Anvil	1
12	197-289-6	Front Plate	1	34	973-022-0	Roll Pin (2 x 22)	1	55-1	891-300-1	Socket Retainer Pin Assembly	1
13	197-035-6	Handle Connector	1	35	973-124-0	Roll Pin (3 x 24)	1	56	981-002-0	Ball (1/8)	1
14	191-439-7	Front Casing	1	36	976-216-0	Spring (2.8 x 15)	2	ACCESSORIES			
15	190-328-6	Anvil Bushing	1	37	976-151-0	Spring (7 x 16)	1	59	939-091-0	Allen Wrench (1.5mm) (80 x 20)	1
16	197-350-0	Driver Anvil	1	38	976-327-0	Spring (13.5 x 11)	1	60	939-105-0	Allen Wrench (4mm)	1
17	011-351-1	Bit Sleeve	1	39	981-002-0	Ball (1/8)	2	FOOTNOTES			
18	011-352-1	Bit Spacer	1	40	981-207-0	Ball (9/32)	1	▶ = Parts for U-410S			
19	191-905-6	Liner Casing	1	41	978-117-0	Snap Ring (11.7 x 1.0)	1	AIMCO also offers a complete line of standard & special adapters, bits, sockets and extensions.			
20	197-906-6	Liner Casing Setter	1	42	982-100-0	Ball Bearing (6000)	1				
21	197-901-7	Rear Liner Plate	1	43	982-401-0	Ball Bearing (EE2)	1				
22	191-902-6	Liner	1	44	990-003-0	O-Ring (P5)	1				



10000 SE PINE STREET
 PORTLAND, OR 97216
 503-254-6600
 FAX 503-255-2615

When ordering spare parts, please specify
 tool type, part number and description.

AIMCO also offers a complete line of standard & special adapters, bits, sockets and extensions.