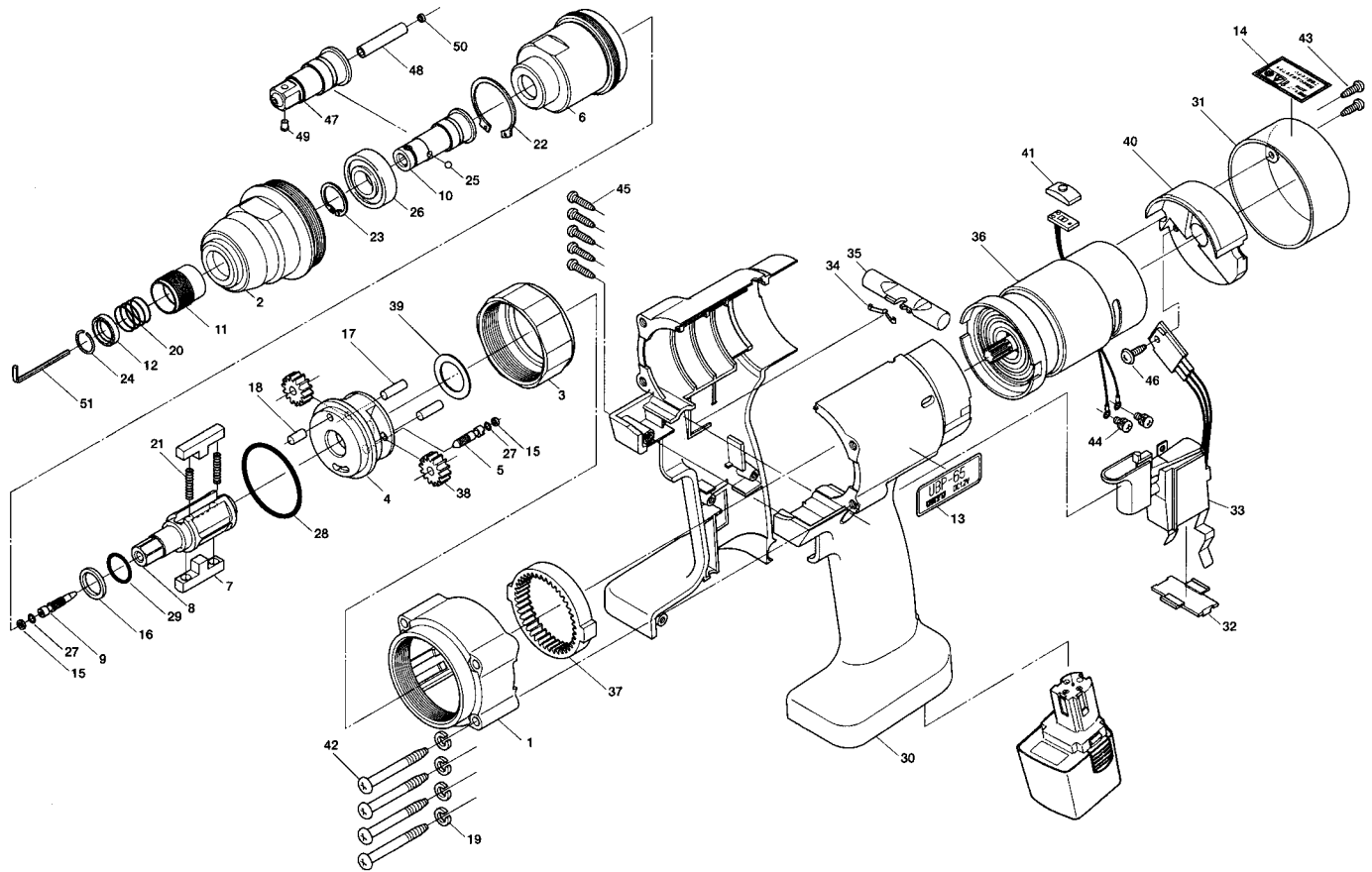


UBP-65 BATTERY PULSE TOOL

EXPLODED VIEW



PARTS LIST — FOR REFERENCE ONLY

Index Number	Part Number	Description	Qty.
1	158-065-6	Handle Front Cover	1
2	158-439-6	Front Casing	1
3	158-081-6	Connecting Nut	1
4	861-471-1	Rear Liner Plate	1
5	861-475-1	Oil Plug	1
6	861-472-1	Liner	1
7	861-474-1	Driving Blade	2
8	158-319-6	Anvil	1
9	158-907-6	Relief Valve Spindle	1
10	158-350-6	Driver Anvil	1
11	011-351-1	Bit Sleeve	1
12	011-352-1	Bit Spacer	1
13	158-924-7	Name Plate	1
14	158-995-6	Name Plate (Warning)	1
15	944-002-0	Supporting Ring (2.6X4.5X1)	2
16	944-013-0	Back-Up Ring (P-12)	1
17	972-109-0	Roller Pin (4X12.8)	2
18	972-105-0	Roller Pin (3.5X5)	1
19	962-006-0	Spring Washer (2-4S)	4
20	976-327-0	Spring (13.5X11)	1
21	976-433-0	Spring 3.7X28 (0.45)	2
22	979-327-0	Inner Snap Ring (IRTW-28)	1
23	979-356-0	Inner Snap Ring (ISTW-15)	1

Index Number	Part Number	Description	Qty.
24	978-117-0	Snap Ring (11.7X1.0)	1
25	981-002-0	Ball (1/8)	1
26	982-923-0	Ball Bearing (6902ZZ)	1
27	990-320-0	O-Ring (ARP568-003)	2
28	990-982-0	O-Ring (SNS32)(NOK)	1
29	992-020-0	SU-Ring (Q12)(NTN)	1

Parts for 861-477-1 Handle Assembly (EZ2630)			
Index Number	Part Number	Description	Qty.
30	861-478-1	Handle Set	1 ●
31	861-479-1	Head Cover	1 ●
32	861-480-1	Shielded Plate	1 ●
33	861-165-1	Switch	1 ●
34	861-482-1	Plate Spring	1 ●
35	861-483-1	Reverse Lever	1 ●
36	861-166-1	Motor with Thermal Coupler	1 ●
37	861-485-1	Internal Gear	1 ●
38	861-486-1	Planet Gear	2 ●
39	861-487-1	Gear Cage Spacer	1 ●
40	861-488-1	Heat Sink	1 ●
41	861-489-1	Lens	1 ●
42	861-160-1	Tapping Screw (K4X45)	4 ●
43	861-161-1	Screw (K3X10)	2 ●
44	861-162-1	Screw (M3X5)	2 ●

Index Number	Part Number	Description	Qty.
45	861-163-1	Screw (3X20)	5 ●
46	861-164-1	Screw (2.6X8)	1 ●

Parts for Pin Type Anvil			
Index Number	Part Number	Description	Qty.
47	891-558-1	Socket Spindle Assembly	1
48	891-559-1	Pipe	1
49	891-560-1	Socket Snap Pin	1
50	975-001-0	Spacer (6X2.8X3)	1

Standard Accessories			
Index Number	Part Number	Description	Qty.
51	939-090-0	Allen Wrench (1.5 mm) (55x55)	1
52	143-242-2	Regular Handle	1

Notes:

861-477-1 Handle Assembly (EZ26603) components are marked with ●

Recommended Battery Charger: Panasonic Model EY0230B (AC230V)

Recommended Battery Pack: Panasonic Model EY9200B



**10000 SE PINE,
PORTLAND, OR 97216
503-254-6600
FAX 503-255-2615**

When ordering spare parts, please specify tool type, part number and description.

AIMCO also offers a complete line of standard & special adapters, bits, sockets and extensions.