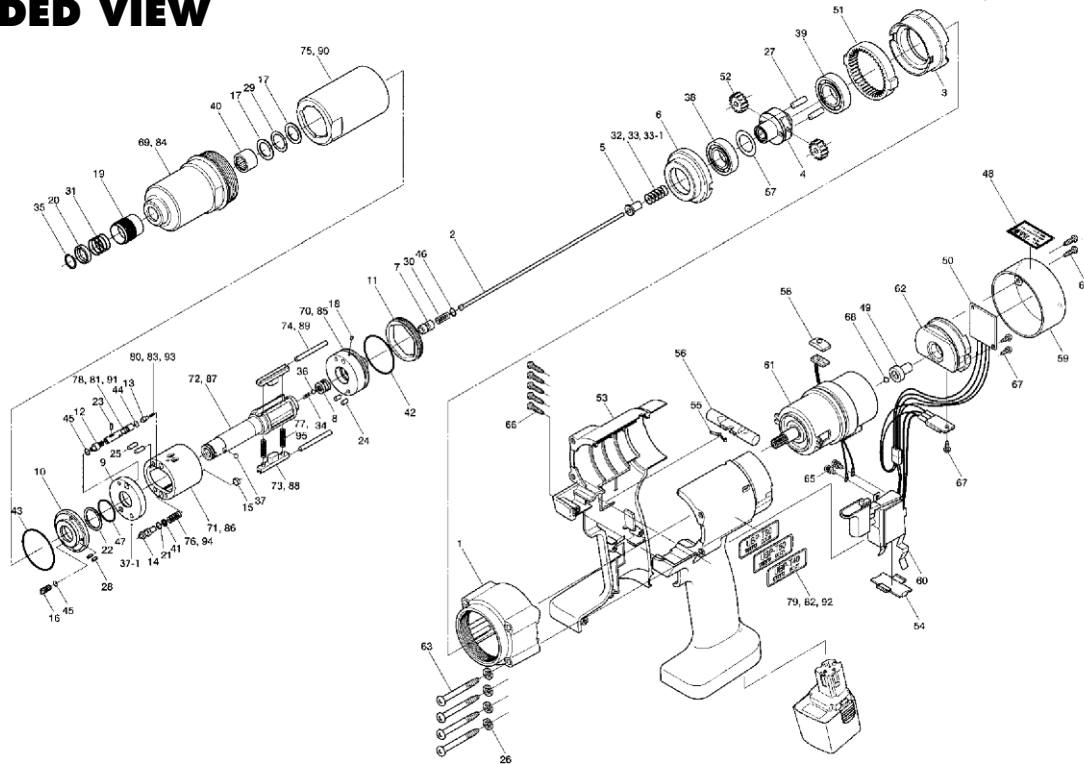


# UBP-T SERIES BATTERY OIL-PULSE TOOL

## EXPLODED VIEW



## PARTS LIST — FOR REFERENCE ONLY

Index Number	Part Number	Description	Qty.	Index Number	Part Number	Description	Qty.	Index Number	Part Number	Description	Qty.
1	157-065-4	Handle Front Cover	1	37	981-002-0	Ball(1/8)	1	70	145-901-0	Rear Liner Plate	1
2	157-650-4	Operating Rod	1	37-1	982-045-0	Ball(1.5mm)	1	71	145-902-0	Liner	1
3	157-029-3	Gear Casing	1	38	982-923-0	Ball Bearing(6902ZZ)	1	72	145-350-2	Driver Anvil	1
4	157-480-4	Gear Cage	1	39	982-942-0	Ball Bearing(6902ZZNR)	1	73	145-440-0	Driving Blade	2
5	157-164-4	Spring Setter	1	40	988-460-0	Needle Roller Bearing(HK1210)	1	74	145-974-0	Roller(2.5X21)	2
6	157-062-4	Ball Bearing Casing	1	41	990-320-0	O-Ring(ARP568-003)	1	75	145-905-0	Liner Casing	1
7	145-546-6	Piston	1	42	990-329-0	O-Ring(JW1530-19)	1	76	976-674-0	Spring(4.3X 14)(0.55)	1
8	145-929-6	Check Valve Cover	1	43	990-605-0	O-Ring(25X 1.45)	1	77	976-295-0	Spring(3.3X20.5)(0.35)	2
9	145-973-6	Liner Casing Spacer	1	44	990-621-0	O-Ring(3.8X1.8X1.0)	1	<b>Parts for UBP-T40</b>			
10	145-904-6	Front Liner Plate	1	45	990-900-0	O-Ring(SNS-2)	2	78	157-970-2	Relief Valve	1
11	145-906-6	Liner Casing Cover	1	46	990-305-0	O-Ring(ARP568-003)(KS)	1	79	157-924-2	Name Plate	1
12	145-907-6	Relief Valve Spindle	1	47	992-020-0	SU-Ring(Q12)(NTN)	1	80	976-637-0	Spring(2.8x6.9)(0.4)	1
13	144-270-0	Valve	1	48	158-995-6	Name Plate(Caution)	1	<b>Parts for UBP-T50</b>			
14	145-972-6	Accumulator	1	<b>Parts for 861-495-1 Handle Assembly</b>			81	157-970-6	Relief Valve	1	
15	145-908-7	Accumulator Cover	1	49	861-438-1	Slide Base	1	82	157-924-3	Name Plate	1
16	194-742-0	Oil Plug	1	50	861-169-1	Operating Board	1	83	976-602-0	Spring(2.7 X 7.3) (0.4)	1
17	145-327-6	Anvil Front Spacer	2	51	861-453-1	Internal Gear	1	<b>Parts for UBP-T60</b>			
18	150-064-5	Plug	1	52	861-454-1	Planet Gear	2	84	157-439-4	Front Casing	1
19	011-351-1	Bit Sleeve(1/8)	1	53	861-478-1	Handle Set	1	85	145-901-6	Rear Liner Plate	1
20	011-352-1	Bit Spacer	1	54	861-480-1	Shield Plate	1	86	145-902-6	Liner	1
21	944-002-0	Supporting Ring(2.6x4.5x1)	1	55	861-482-1	Plate Spring	1	87	145-350-7	Driver Anvil	1
22	944-212-0	Supporting Ring(12x16x1.5)	1	56	861-483-1	Reverse Lever	1	88	145-440-6	Driving Blade	2
23	970-013-0	Pin(H)(1.5x4)	1	57	861-487-1	Gear Cage Spacer	1	89	145-974-6	Roller(2.5X26)	2
24	970-130-0	Pin(H)(2.45x4.5)	2	58	861-489-1	Lens	1	90	145-905-6	Liner Casing	1
25	970-131-0	Pin(H)(2.45x9.5)	2	59	861-496-1	Head Cover	1	91	157-970-5	Relief Valve	1
26	962-006-0	Spring Washer(2-4S)	4	60	861-167-1	Switch	1	92	157-924-4	Name Plate	1
27	972-111-0	Roller Pin(4x11)	2	61	861-199-1	Motor	1	93	976-639-0	Spring(2.9X7.4)(0.45)	1
28	973-040-0	Roll Pin(1.5x5)	2	62	861-499-1	Handle Rear Cover	1	94	976-665-0	Spring(4.3X19)(0.55)	1
29	975-754-0	Adjusting Spacer(17x12.5x1)	1	63	861-160-1	Tapping Screw(K4X45)	4	95	976-781-0	Spring(3.3X20.5)(0.4)	2
30	976-601-0	Spring(1.9 x 6.5) (0.23)	1	64	861-161-1	Screw(K3X10)	2	<b>Standard Accessories</b>			
31	976-327-0	Spring(13.5x11)(0.9)	1	65	861-162-1	Screw(M3X5)	2	96	939-091-0	Allen Wrench(1.5mm)	1
32	976-694-0	Spring(4.3x9.2)(0.5) (Standard)	1	66	861-163-1	Screw(3x20)	5	97	143-242-2	Regulator Handle	1
33	976-696-0	Spring(4.3x9.8)(0.5)(Strong)	1	67	861-164-1	Screw(2.6x8)	3				
33-1	976-599-0	Spring(4.1x9.8)(0.45)(WEAK)	1	68	981-000-0	Ball(1/16)	1				
34	976-645-0	Spring(2.4x5)(0.3)	1	<b>Parts for UBP-T40 &amp; T50</b>			69	157-439-3	Front Casing	1	
35	978-117-0	Snap Ring(11.7x1)	1								
36	981-001-0	Ball(3/32)	1								



1000 SE Pine Street  
Portland, OR 97216  
503-254-6600  
FAX 503-255-2615

When ordering spare parts, please specify  
tool type, part number and description.

AIMCO also offers a complete line of standard & special adapters, bits,  
sockets and extensions.