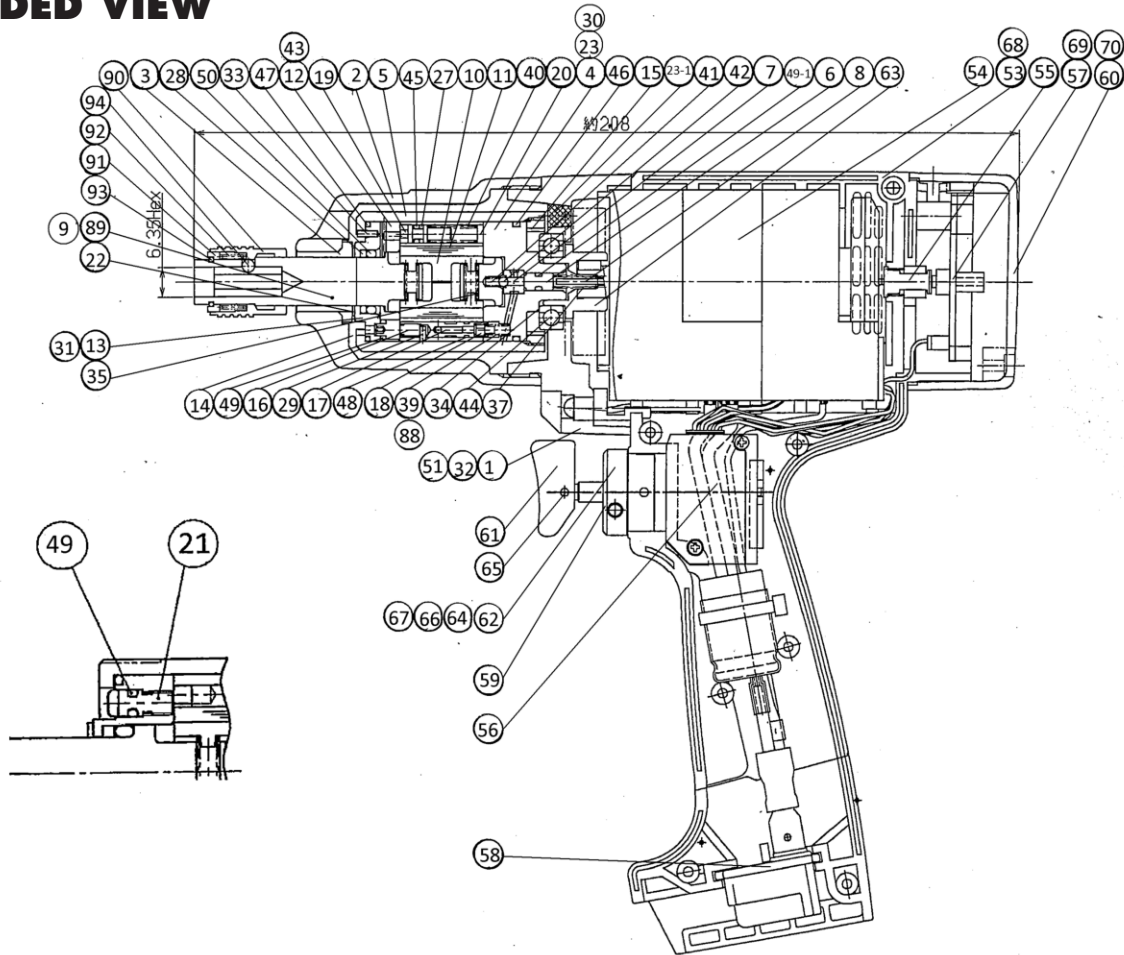


UDBP-T50 SERIES BATTERY OIL-PULSE TOOL

EXPLODED VIEW



PARTS LIST — FOR REFERENCE ONLY

○ Handle Assembly 963-960-1

Index Number	Part Number	Description	Qty.	Index Number	Part Number	Description	Qty.	Index Number	Part Number	Description	Qty.
1	093-065-8	HANDLE FRONT PLATE	1	31	970-131-0	PIN(H) 2.45X9.5	2	61	147-107-2	VALVE LEVER	1 ○
2	093-439-8	FRONT CASING	1	32	962-006-0	SPRING WASHER	4	62	480-212-8	REVERSE LEVER	1 ○
3	190-328-6	ANVIL BUSHING	1	33	973-040-0	ROLLER PIN 1.5X5	2	63	863-956-1	COUPLING	1 ○
4	145-901-0	REAR LINER PLATE	1	34	975-752-0	ADJUSTING SPACER 15X10Xt	1	64	954-105-0	SCREW M4X5	1 ○
5	145-902-0	LINER	1	35	976-805-0	SPRING 3.5X25.2(0.4)WPC	2 ●	65	973-014-0	RPLLER PIN 2X14	1 ○
6	145-546-6	PISTON	1	37	976-628-0	SPRING 3.3X13(0.5) n=10.5	1	66	976-006-0	SPRING 3X5(0.4)	1 ○
7	145-929-6	CHACK VALVE COVER	1	39	976-848-0	SPRING 2.8X7.1(0.4)N=5.75	1 ●	67	981-002-0	BALL 1/8	1 ○
8	092-130-8	OPERATIONG ROD 1.4X82.7	1	40	976-674-0	SPRING 4.3X14(0.55)	1 ●	68	861-179-1	SCREW	7 ○
9	145-319-0	ANVIL	1 ■	41	976-645-0	SPRING 2.4X5(0.3)	1 ●	69	861-180-1	SCREW	2 ○
10	145-440-0	DRIVING BLADE	2	42	981-001-0	BALL 3/32	1	70	861-181-1	SCREW	2 ○
11	145-974-0	ROLLER 2.5X21	2	43	981-045-0	BALL 1.5mm	1	88	976-849-0	SPRING 2.8X7(0.4)N=6.5	1
12	145-973-6	LINER CASING SPACER	1	44	982-902-0	BALL BEARING 6901	1	89	145-350-2	DRIVER ANVIL	1
13	094-904-4	FRONT LINER PLATE	1	45	990-320-0	O-RING ARP568-003	1 ●	90	011-351-1	BIT SLEEVE	1
14	145-905-0	LINER CASING	1	46	990-329-0	O-RING JW1530-19	1 ●	91	011-352-1	BIT SPACER	1
15	145-906-6	LINER CASING COVER	1	47	990-605-0	O-RING 25X1.45	1 ●	92	976-327-0	SPRING 13.5X11(0.9)	1
16	145-907-6	RELIEF VALVE SPINDLE	1	48	990-621-0	O-RING 3.8X1.8X1.0	1 ●	93	978-117-0	SNAP RING 11.7X1	1
17	093-970-8	RELIEF VALVE	1	49	990-900-0	O-RING SNS-2	2 ●	94	981-002-0	BALL 1/8	1
18	144-270-0	PRESSURE REGULATING VALVE	1	49-1	990-305-0	O-RING ARP568-003(KS)	1 ●				
19	145-972-6	ACCUMULATOR	1	50	991-030-0	X-RING	1 ●				
20	145-908-7	ACCUMULATOR COVER	1	51	963-363-0	TAPPING SCREW M4X35 (H)	4				
21	194-742-0	OIL PLUG	1	53	863-958-1	HANDLE	1 ○				
22	145-327-6	ANVIL FRONT SPACER	1	54	861-192-1	MOTOR ASSEMBLY	1 ○				
23	150-064-5	PLUG	1	55	861-173-1	SLIDE BASE ASSEMBLY	1 ○				
23-1	080-835-3	FILTER	3	56	861-174-1	SWITCH ASSEMBLY	1 ○				
27	944-002-0	SUPPORTING RING 2.6X4.5X1	1 ●	57	861-175-1	OPERATING BOARD	1 ○				
28	944-213-0	SUPPORTING RING 12X16X1	1 ●	58	861-193-1	BATTERY CONTACT	1 ○				
29	970-013-0	PIN(H) 1.5X4	1	59	861-177-1	SLEEVE	1 ○				
30	970-130-0	PIN(H) 2.45X4.5	2	60	861-178-1	HANDLE COVER	1 ○				

FOOTNOTES

- For UDBP-T50(P)
- Items in Pulse Repair Kit UDBP-T50-PRK

AIMCO also offers a complete line of standard & special adapters, bits, sockets and extensions.



10000 SE PINE,
PORTLAND, OR 97216
503-254-6600
FAX 503-255-2615

When ordering spare parts, please specify tool type, part number and description.

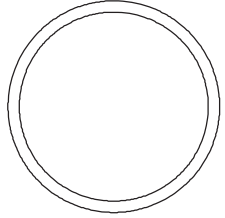


UDBP-T50-PRK

(Kit contains following parts)

#/#	Item Number on Exploded View	Part Number	QTY	Description	Material	Drawing / Scketch
1	27	944-002-0	1	Support Ring	Teflon-White	
2	28	944-213-0	1	Support Ring	Teflon-White	
3	41	976-645-0	1	Spring	Spring wire	
4	40	976-674-0	1	Spring	Spring wire	
5	35	976-805-0	2	Spring	Spring wire	
6	39	976-848-0	1	Spring	Spring wire	
7	49-1	990-305-0	1	O-Ring	Buna-Black	
8	45	990-320-0	1	O-Ring	Buna-Black	
9	46	990-329-0	1	O-Ring	Buna-Black	

UDBP-T50-PRK

(Kit contains following parts)

#/#	Item Number on Exploded View	Part Number	QTY	Description	Material	Drawing / Scketch
10	47	990-605-0	1	O-Ring	Buna-Black	
11	48	990-621-0	1	O-Ring	Buna-Black	
12	49	990-900-0	2	O-Ring	Buna-Black	
13	50	991-030-0	1	X-Ring (X12)	Buna-Black	