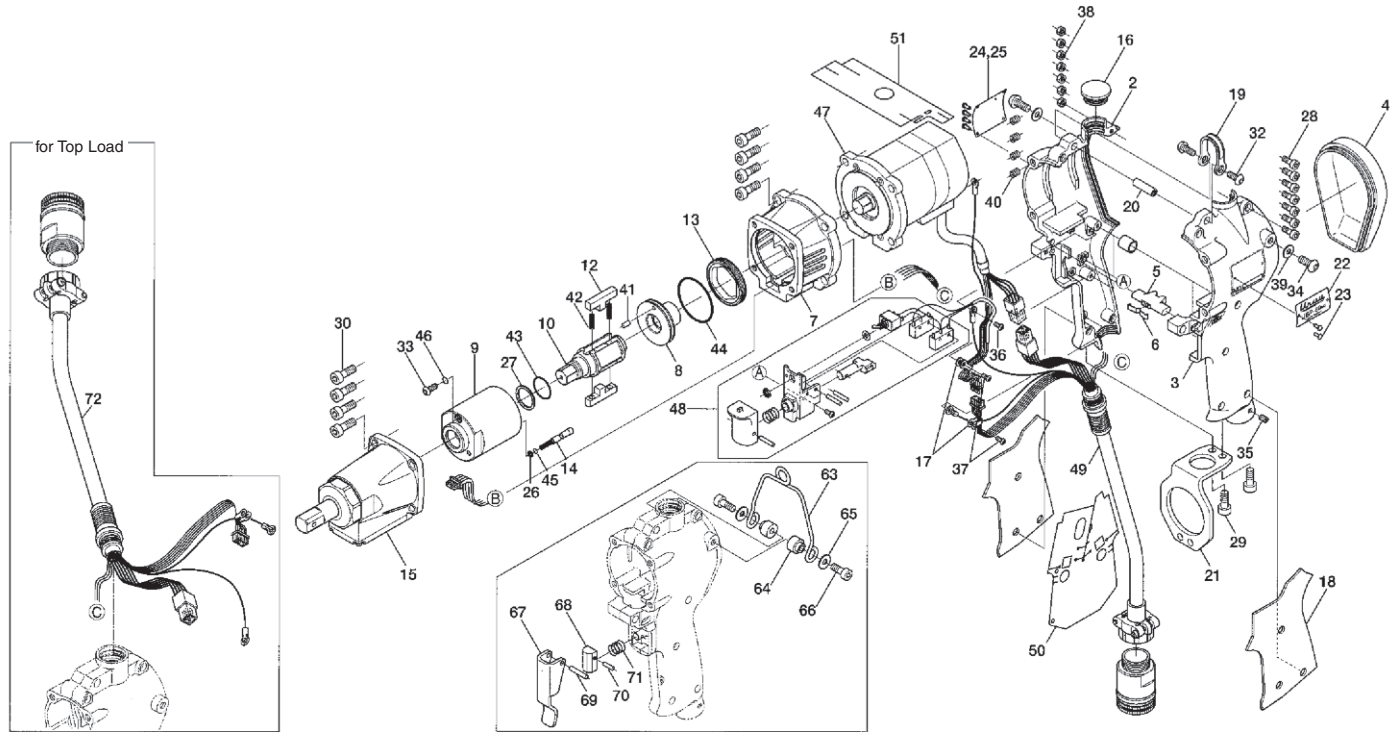


UEP-80MC SERIES ELECTRIC OIL-PULSE TOOL

EXPLODED VIEW



PARTS LIST — FOR REFERENCE ONLY

* 137-004-0 Handle Assembly components are marked with ■

Index Number	Part Number	Description	Qty.
1	137-004-0	Handle Assembly	1
2	137-025-0	Handle Set ■	1
3	137-083-0	Handle Supporter ■	1
4	137-012-0	Head Cover	1
5	136-212-8	Reverse Lever	1
6	136-217-7	Plate Spring	1
7	137-027-8	Separator	1
8	137-901-8	Liner Rear Plate	1
9	143-902-9	Liner	1
10	137-319-8	Anvil	1
12	137-440-0	Driving Blade	2
13	143-906-9	Liner Casing Setter	1
14	143-975-8	Relief Valve	1
15	851-681-1	Sensor Casing Assembly (S8-12.7)	1
16	136-064-7	Plug	1
17	136-670-7	Band	2
18	136-842-0	Handle Cover	1
19	136-790-7	Suspension Bail	1
20	136-791-7	Suspension Bail Base	1
21	136-794-7	Suspension Plate	1
22	137-924-8	Name Plate	1
23	930-205-0	Driver Rivet(No.0X2.6)	6
24	136-993-9	Name Plate(Spec.)(230V)	1
25	137-993-7	Name Plate(Spec.)(115V)	1
26	944-002-0	Supporting Ring(2.6X4.5X1)	1
27	944-215-0	Supporting Ring(16X19.9X1.5)	1
28	945-016-0	Allen Head Bolt(M3X15) ■	7
29	945-112-0	Allen Head Bolt(M5X12)	2

Index Number	Part Number	Description	Qty.
30	945-114-0	Allen Head Bolt(M5X14)	4
31	945-222-0	Allen Head Bolt(M6X22)	4
32	945-941-0	Hexagon Round Head Bolt(M4X5)	2
33	945-942-0	Hexagon Round Head Bolt(M4X6)	1
34	945-949-0	Hexagon Round Head Bolt(M5X6)	2
35	954-105-0	Allen Head Cone Point Screw(M4X5)	1
36	957-106-0	Cross Pan Head Screw(M4X6)	1
37	957-215-0	Cross Pan Head Screw(M3X5)	2
38	960-020-0	Hexagon Nut(1-M3) ■	7
39	961-012-0	Flat Washer(5MM)	2
40	965-021-0	Heli-Sert(M5X1.5D)	4
41	970-204-0	Pin(3X6)	1
42	976-787-0	Spring(3.8X33)(0.45)WPC	2
43	990-156-0	O-Ring(P16)(NTN)	1
44	990-915-0	O-Ring(SNS-29)	1
45	990-970-0	O-Ring(SNS-2)(NOK)	1
46	990-971-0	O-Ring(SNS-3)(NOK)	1
47	910-508-0	Electric Motor MBMK022BEL-200W	1
48	910-602-0	Starting Switch Assembly	1
49	910-526-0	Handle Cable Assembly(CE 1.8)	1
50	910-660-0	Insulation Sheet(Grip)	1
51	910-664-0	Insulation Sheet(Motor 80)	1
52	909-697-0	Shrink Tube(9X10)	4

PARTS FOR 230V

53	910-842-0	Driver Box UEPD-71E-CE(230V)	1
54	910-218-0	Power Cable(230V)	1

Index Number	Part Number	Description	Qty.
PARTS FOR 115V			
55	910-846-0	Driver Box UEPD-71A-UL(115V)	1
56	910-217-0	Power Cable(115V)	1
ACCESSORIES			
57	910-532-0	Coil Cable Assembly	1
58	910-543-0	Joint Cable Assembly(3M)	1
59	910-544-0	Joint Cable Assembly(5M)	1
60	910-545-0	Joint Cable Assembly(10M)	1
61	910-622-0	Sensor Cable Assembly	1
62	910-632-0	Connector Cover	1
Option: 851-106-1 Suspension Ring Assembly			
63	851-107-1	Suspension Ring	1
64	193-791-6	Suspension Receiver	2
65	193-792-6	Suspension Plate	2
66	945-112-0	Allen Head Bolt(M5X12)	2
Option: 851-104-1 Lever Assembly			
67	163-107-6	Valve Lever	1
68	850-952-1	Valve Rod Cap	1
69	970-222-0	Pin(H)(3X22)	1
70	970-102-0	Pin(H)(2X16)	1
71	976-296-0	Spring(10.2X15)(0.6)	1
Option: For Top Load			
72	910-528-0	Handle Cable Assembly(CE)	1



10000 SE Pine Street
Portland, OR 97216
503-254-6600
FAX 503-255-2615

When ordering spare parts, please specify
tool type, part number and description.

AIMCO also offers a complete line of standard & special
adapters, bits, sockets and extensions.