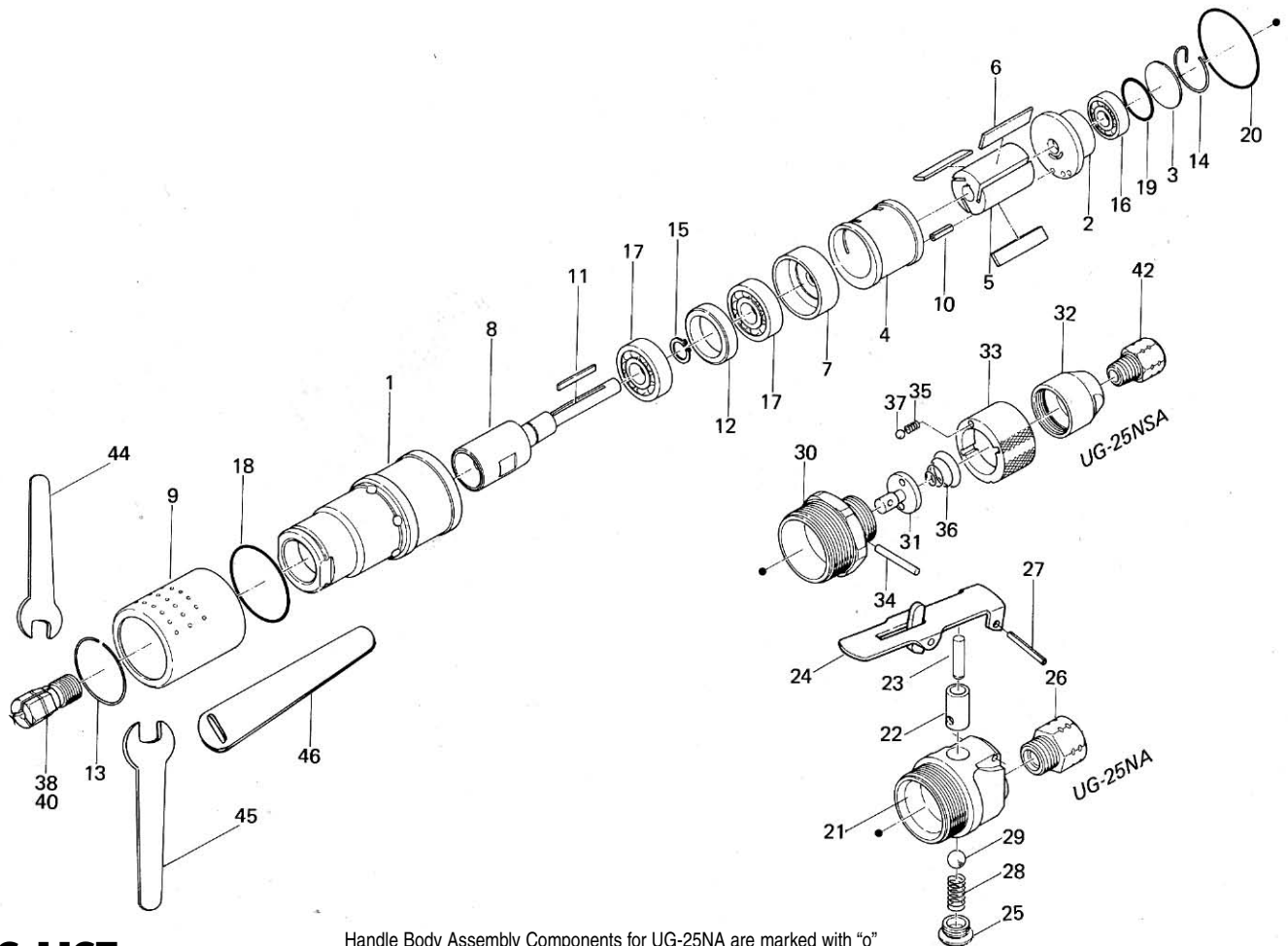


UG-25NA, 25NSA DIE GRINDERS

EXPLODED VIEW



PARTS LIST — FOR REFERENCE ONLY

Handle Body Assembly Components for UG-25NA are marked with "o"
Handle Body Assembly Components for UG-25NSA are marked with "x"

Index Number	Part Number	Description	Qty.
UG-25NA, 25NSA COMMON PARTS			
1	500-025-6	Casing	1
2	500-285-2	Rear Plate	1
3	505-291-1	Rear Plate Spacer	1
4	500-286-1	Cylinder	1
5	500-287-1	Rotor	1
6	500-288-1	Blade	3
7	500-289-1	Front Plate	1
8	500-390-1	Wheel Spindle	1
9	500-782-6	Exhaust Deflector	1
10	973-110-0	Roll Pin (3x10)	1
11	974-700-0	Key (1.4x2.3x20)	1
12	975-189-0	Spacer (26x20x6)	1
13	978-321-0	Snap Ring (32x1.8)	1
14	978-219-0	Snap Ring (22x1.2)	1
15	979-107-0	Outer Snap Ring (10)	1
16	982-021-0	Ball Bearing (626)	1
17	982-100-0	Ball Bearing (6000)	2
18	990-919-0	O-Ring (SNS 22)	1

Index Number	Part Number	Description	Qty.
19	990-914-0	O-Ring (SNS 16)	1
20	990-925-0	O-Ring (SNS 32)	1
PARTS FOR UG-25NA HANDLE BODY ASSEMBLY CODE 500-983-6			
21	500-014-1	o Handle Body	1
22	500-102-2	o Valve Bushing	1
23	970-319-0	o Pin (H) (4x19)	1
24	500-914-7	o Self-Locking Valve Lever Assembly	1
25	201-108-1	o Valve Plug	1
26	418-091-1	o Air Inlet Bushing	1
27	973-124-0	o Roll Pin (3x24)	1
28	976-151-0	o Spring (7x16) (0.7)	1
29	981-208-0	o Ball (5/16) Black	1
PARTS FOR UG-25NA HANDLE BODY ASSEMBLY CODE 501-003-2			
30	501-014-2	x Handle Body	1

Index Number	Part Number	Description	Qty.
31	506-100-2	x Valve	1
32	506-090-2	x Air Inlet Bushing	1
33	506-015-2	x Valve Handle	1
34	971-224-0	x Pin (3x24)	1
35	976-022-0	x Spring (3x5.5) (0.4)	1
36	977-080-0	x Cone Spring (7x18x10)	1
37	981-002-0	x Ball (1/8)	1
42	942-114-0	x Connecting Screw (1/4xNPT1/4)	1
ACCESSORIES			
44	936-514-0	Spanner (14)	1
45	936-517-0	Spanner (17)	1
46	939-101-0	Spanner (5.5x17.5x120)	1
38	923-003-0	Collet Chuck (6mm)	1
40	923-006-0	Collet Chuck (1/4)	1



1000 SE Pine Street
Portland, OR 97216
503-254-6600
FAX 503-255-2615

When ordering spare parts, please specify
tool type, part number and description.