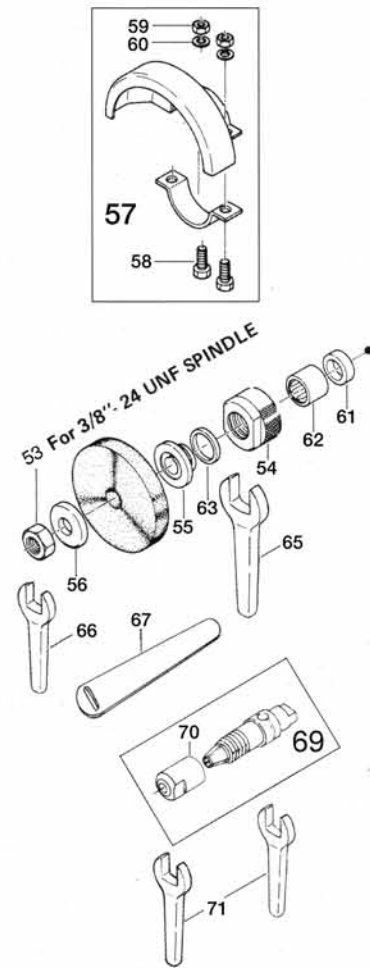


UG-65 & 650 SERIES

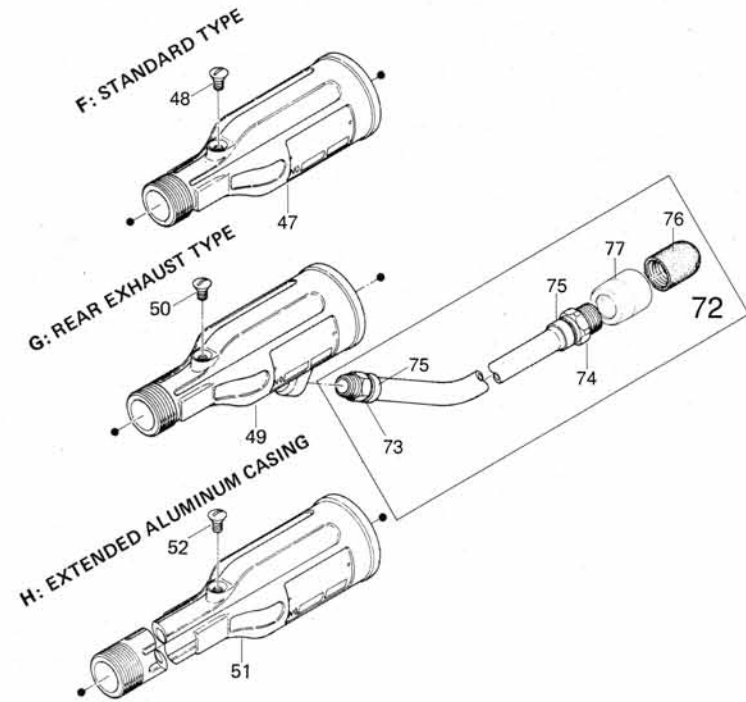
HORIZONTAL GRINDERS

EXPLODED VIEW

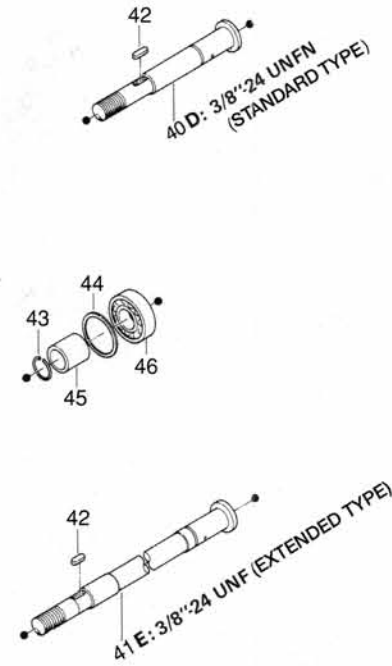
WHEEL SETTING SECTION



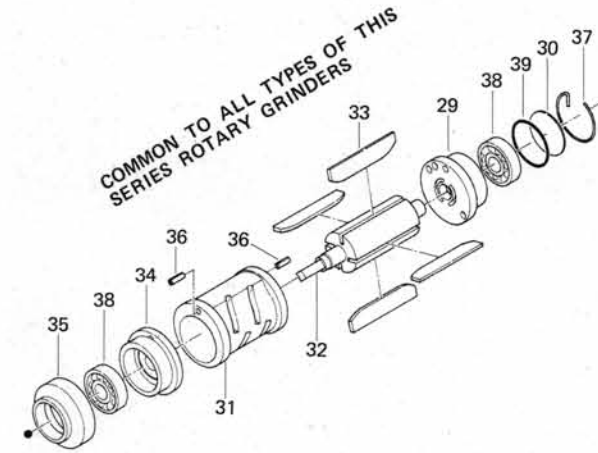
CASING SECTION



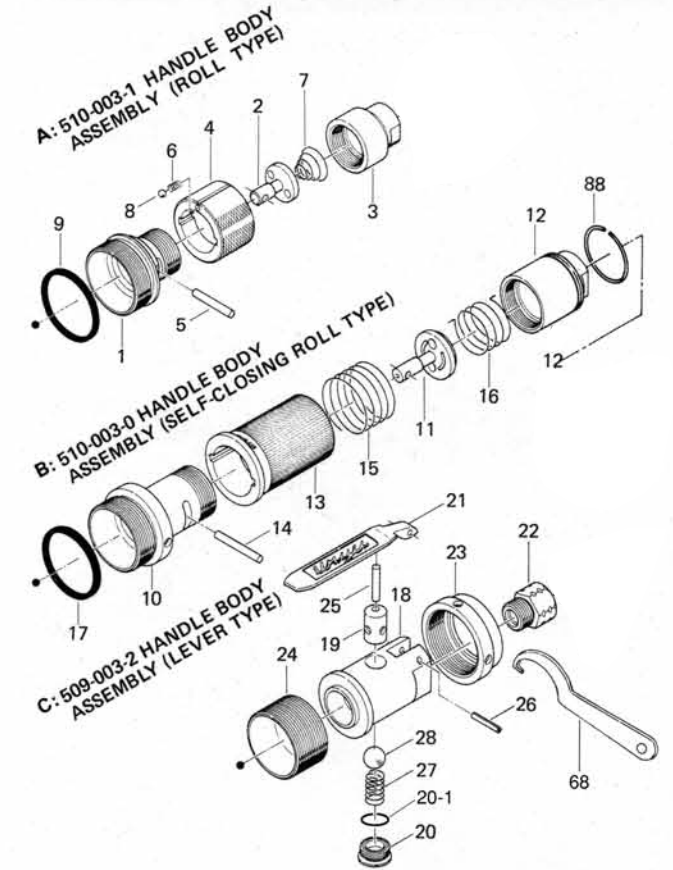
SPINDLE SECTION



MOTOR SECTION



HANDLE SECTION



Guide for your easy selection of model in ordering.

MODEL	WHEEL MOUNTING SECTION	CASING SECTION	SPINDLE SECTION	MOTOR SECTION	HANDLE SECTION
UG-65E	COMMON	F	D	COMMON	A
UG-65ER	COMMON	F	D	COMMON	B
UG-65EL	COMMON	F	D	COMMON	C
UG-65EB	COMMON	G	D	COMMON	A
UG-65EBR	COMMON	G	D	COMMON	B
UG-65EBL	COMMON	G	D	COMMON	C
UG-650E	COMMON	H	E	COMMON	A
UG-650ER	COMMON	H	E	COMMON	B
UG-650EL	COMMON	H	E	COMMON	C

PARTS LIST — FOR REFERENCE ONLY

Index Number	Part Number	Description	Qty.
HANDLE SECTION			
A: 510-981-1 HANDLE BODY ASSEMBLY (ROLL TYPE)			
1	510-014-1	Handle Body	1
2	510-100-1	Valve	1
3	509-091-1	Air Inlet Bushing	1
4	510-015-1	Valve Handle	1
5	971-271-0	Pin (3.8X30)	1
6	976-027-0	Spring (3X11)	1
7	977-080-0	Cone Spring (7X18X10)	1
8	981-003-0	Ball (5/32)	1
9	990-929-0	O-Ring (SNS-36)	1
B: 510-003-0 HANDLE BODY ASSEMBLY (SELF-CLOSING ROLL TYPE)			
10	510-014-0	Handle Body	1
11	566-100-7	Valve	1
12	509-091-0	Air Inlet Bushing	1
13	566-015-7	Valve Handle	1
14	971-273-0	Pin (3.8X34)	1
15	976-720-0	Spring (33.8X15)	1
16	976-976-0	Spring (25x35)	1
17	990-929-0	O-Ring (SNS-36)	1
88	978-341-0	Snap Ring (34X2)	1
C: 509-003-2 HANDLE BODY ASSEMBLY (LEVER TYPE)			
18	509-014-2	Handle Body	1
19	509-102-2	Valve Seat	1
20	203-108-1	Valve Plug	1
20-1	990-908-0	O-Ring (SNS-10)	1
21	425-107-1	Valve Lever	1
22	418-091-1	Air Inlet Bushing	1

Index Number	Part Number	Description	Qty.
23	509-081-2	Handle Body Locking Nut	1
24	509-035-2	Casing Connector	1
25	970-322-0	Pin (H) (4X22)	1
26	973-120-0	Roll Pin (3X20)	1
27	976-232-0	Spring (9.5X18)	1
28	981-210-0	Ball (3/8)	1
MOTOR SECTION			
COMMON TO ALL MODELS			
29	510-285-2	Rear Plate	1
30	510-291-1	Rear Plate Spacer	1
31	510-286-1	Cylinder	1
32	510-287-7	Rotor	1
33	510-288-1	Blade	4
34	510-289-1	Front Plate	1
35	510-295-1	Cylinder Setter	1
36	973-110-0	Roll Pin (3X10)	2
37	978-310-0	Snap Ring (31X1.2)	1
38	982-024-0	Ball Bearing (629)	2
39	990-920-0	O-Ring (SNS-25)	1
SPINDLE SECTION			
D: 3/8"-24 UNF SPINDLE FOR UG-65 SERIES			
40	509-390-1	Wheel Spindle	1
E: 3/8"-24 UNF SPINDLE FOR UG-650 SERIES			
41	509-390-4	Extended Wheel Spindle	1

Index Number	Part Number	Description	Qty.
COMMON TO ALL SPINDLES			
42	974-010-0	Key (3x10)	1
43	978-137-0	Snap Ring (12.7X1.2)	1
44	975-220-0	Spacer (28X22X1)	1
45	510-392-1	Wheel Spindle Spacer	1
46	982-101-0	Ball Bearing (6001)	1
CASING SECTION			
F: STANDARD TYPE			
47	510-025-1	Casing	1
48	949-208-0	Oval Flush Head Screw (MSX8)	1
G: REAR EXHAUST TYPE			
49	510-025-6	Casing	1
50	949-208-0	Oval Flush Head Screw (MSX8)	1
H: EXTENDED TYPE			
51	511-025-1	Casing	1
52	949-208-0	Oval Flush Head Screw (MSX8)	1
WHEEL MOUNTING SECTION			
3/8"-24 UNF SPINDLE			
53	960-601-0	Hexagon Nut (UNF 3/8"-24Spindle)	1
54	510-065-1	Casing Front Cover	1
55	510-393-1	Wheel Holder Flange	1
56	510-394-1	Wheel Nut Flange	1
57	510-770-1	Wheel Guard	1
58	946-900-0	Hexagon Head Bolt (MSX18)	2
59	960-037-0	Hexagon Nut (1.1M5)	2
60	962-008-0	Spring Washer (2-55)	2

Index Number	Part Number	Description	Qty.
61	975-093-0	Spacer (18X12.5X6)	1
62	988-550-0	Needle Roller Bearing (TR-121815)	1
63	993-005-0	Felt Ring (15X20X3)	1
STANDARD ACCESSORIES			
65	936-051-0	Spanner (17X3.2X135)	1
66	936-517-0	Spanner (17)	1
67	939-100-0	Spanner Holder (3.5X16.5X160)	1
Only for Lever-Type			
68	937-065-0	Spanner (4.8X22X153)	1
OPTIONAL ACCESSORIES			
69	923-530-0	Collet Chuck Assembly (6mm) (UNF3/8-24)	1
	923-532-0	Collet Chuck Assembly (1/4") (UNF3/8-24)	1
70	505-412-1	Chuck Nut	1
71	936-514-0	Spanner (14) (For Collet Chuck)	2
Only for Rear Exhaust Type			
72	934-325-0	Exhaust Hose Assembly (3/8X200mm)	1
73	510-082-6	Connecting Screw	1
74	510-781-6	Exhaust Stack Bushing	1
75	510-789-6	Exhaust Stack Cover	2
76	606-780-1	Exhaust Stack	1
77	612-778-0	Nylon Protector	1



10000 SE Pine Street
Portland, OR 97216
503-254-6600
FAX 503-255-2615

When ordering spare parts, please specify
tool type, part number and description.

AIMCO also offers a complete line of standard & special
adapters, bits, sockets and extensions.