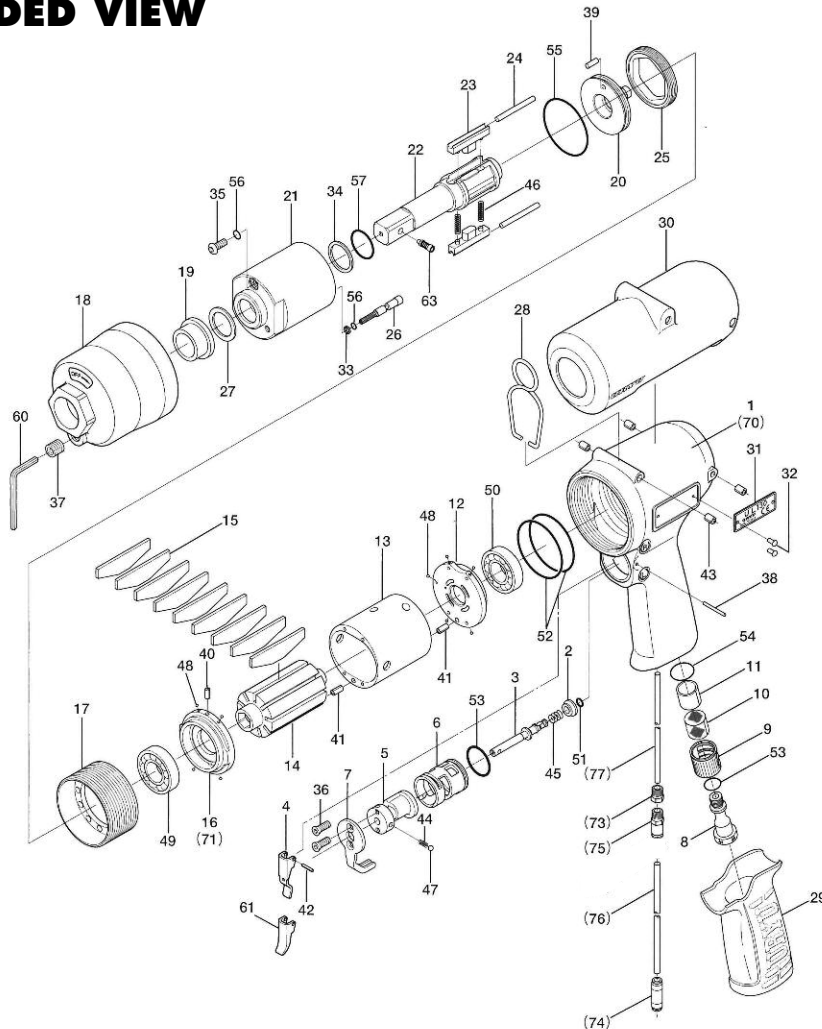


# UL-130 OIL-PULSE WRENCH

## EXPLODED VIEW



### Liner Casing Assembly (P)



Code No. # 891-484-1

### 141-984-0 Handle Assembly

(#1, #2, #3, #4, #5, #6, #7, #36, #38, #42, #44, #45, #47, #51, #53,

## PARTS LIST — FOR REFERENCE ONLY

Index Number	Part Number	Description	Qty.	Index Number	Part Number	Description	Qty.	Index Number	Part Number	Description	Qty.
1	141-025-0	Handle	● 1	27	147-327-8	Anvil Front Spacer	1	53	990-916-0	O-Ring (SNS-18)	● 2
2	130-100-2	Valve	● 1	28	174-790-0	Suspension Ring	1	54	990-921-0	O-Ring (SNS-22.4)	1
3	130-104-2	Valve Rod	● 1	29	130-842-2	Handle Cover	1	55	990-933-0	O-Ring (SNS-39)	1
4	130-107-2	Valve Lever	● 1	30	141-840-0	Casing Protector	1	56	990-971-0	O-Ring (SNS-3)(NOK)	2
5	130-210-2	Reverse Valve	● 1	31	141-924-0	Name Plate	1	57	992-021-0	SU-Ring (Q16)(NTN)	1
6	130-211-2	Reverse Valve Bushing	● 1	32	930-205-0	Driver Screw Rivet (No.0 X 2.6)	2	63	891-304-1	Socket Pin Assembly (1/2)	1
7	130-212-2	Reverse Lever	● 1	33	944-003-0	Supporting Ring (3X5X1)	1	<b>PARTS FOR (TM)-TYPE</b>			
8	130-091-2	Air Inlet Bushing	1	34	944-210-0	Supporting Ring (16X19.9X1)	1	70	851-958-1	Handle	1
9	130-780-2	Exhaust Stack	1	35	945-942-0	Hexagon Round Head Bolt (M4X6)	1	71	851-959-1	Front Plate	1
10	130-042-2	Silencer	1	36	948-423-0	Allen Flush Head Screw (M3X6)	● 2	73	1/16BK1-10F	Connecting Screw	1
11	130-835-3	Filter (K50)	1	37	966-099-0	Allen Head Plug (NPT1/16GDL)	1	74	909-442-0	Quick Exhaust (AQ240F-04-00)	1
12	130-285-2	Rear Plate	1	38	971-126-0	Pin (2X26)	● 1	75	68ML-5/32X10/32	One-Touch Connector	1
13	123-286-6	Cylinder	1	39	972-105-0	Pin (3.5X5)	1	76	935-350-0	Polyurethane Hose (F-1504)	1
14	141-287-0	Rotor	1	40	973-006-0	Roll Pin (2X6)	1	77	935-358-0	Polyurethane Hose (TU-0212)	1
15	123-288-6	Blade (PC)	9	41	973-108-0	Roll Pin (3X8)	2	<b>ACCESSORIES</b>			
16	123-289-6	Front Plate	1	42	973-120-0	Roll Pin (3X20)	● 1	59	939-091-0	Allen Wrench (1.5)	1
17	141-036-0	Hammer Casing Connector	1	43	973-308-0	Roll Pin (5X8)	4	60	939-105-0	Allen Wrench (4)	1
18	141-439-0	Front Casing	1	44	976-006-0	Spring (3X5)(0.4)	● 1	<b>OPTIONAL PART</b>			
19	189-328-8	Anvil Bushing	1	45	976-643-0	Spring (7.5X9.7)(0.9)	● 1	61	130-107-4	Valve Lever	1
20	141-901-0	Rear Liner Plate	1	46	976-807-0	Spring (4.5X38)(0.6)WPC	2	<b>FOOTNOTES</b>			
21	141-902-0	Liner	1	47	981-002-0	Ball (1/8)	● 1				
22	141-319-0	Anvil	1	48	981-045-0	Ball (1.5)	9				
23	130-440-2	Driving Blade	2	49	982-905-0	Ball Bearing (6904)	1				
24	130-974-2	Roller 3X40	2	50	982-950-0	Ball Bearing (16002)	1				
25	130-906-2	Liner Casing Cover	1	51	990-306-0	O-Ring (ARP-568-004)(H)	● 1				
26	155-970-0	Relief Valve	1	52	990-611-0	O-Ring (51.5X2)	2				



10000 SE Pine Street  
Portland, OR 97216  
503-254-6600  
FAX 503-255-2615

When ordering spare parts, please specify  
tool type, part number and description.