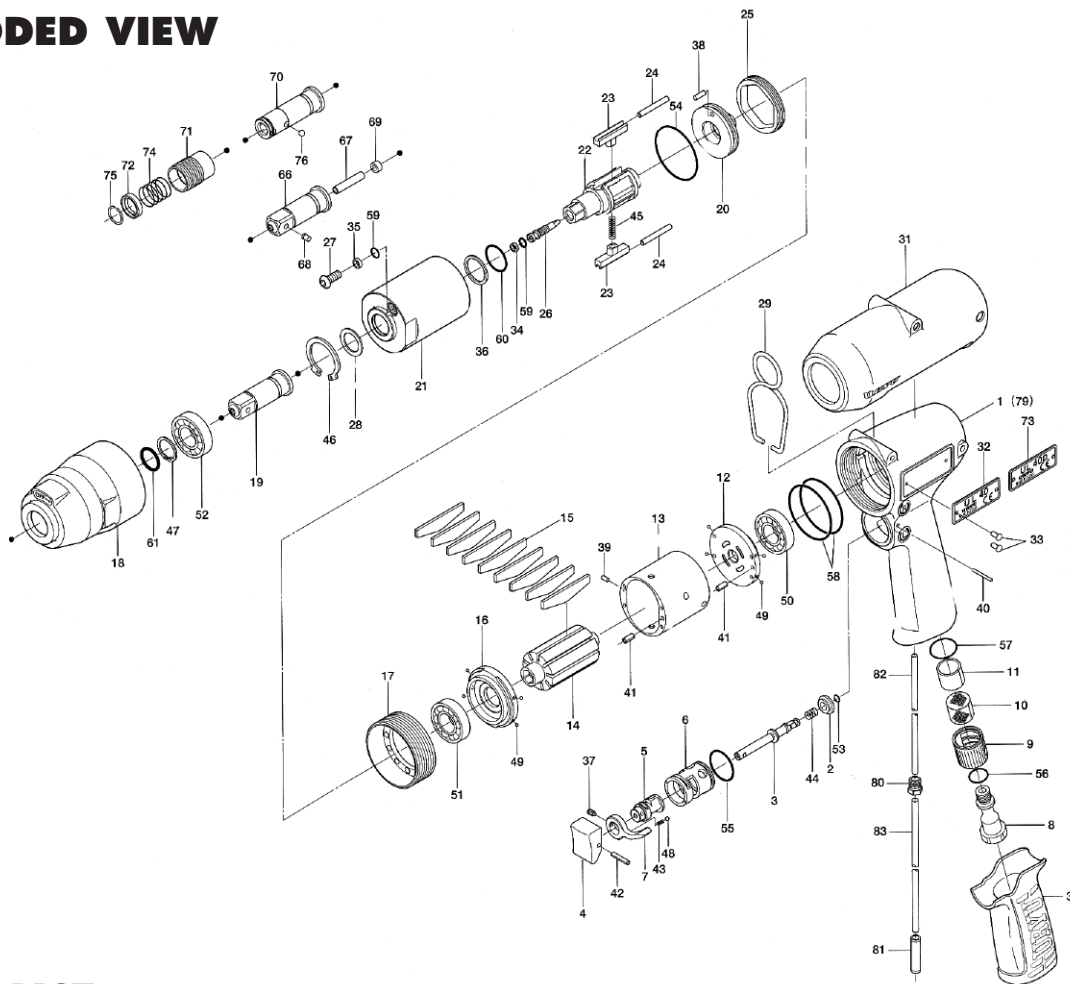


UL-40(D) SERIES OIL-PULSE WRENCHES

EXPLODED VIEW



PARTS LIST — FOR REFERENCE ONLY

Index Number	Part Number	Description	Qty.	Index Number	Part Number	Description	Qty.	Index Number	Part Number	Description	Qty.
1	143-025-0	Handle	1	30	147-842-2	Handle Cover	1	60	992-019-0	SU-Ring(Q10)(NTN)	1
2	147-100-3	Valve	1	31	143-840-0	Casing Protector	1	61	993-100-0	Rubber Sponge(12X16.5X2)	1
3	147-104-2	Valve Rod	1	32	143-924-0	Name Plate	1	66	891-565-1	Socket Spindle Assembly(P)	1
3-1	979-405-0	Outer Snap Ring (E2.5)	1	33	930-205-0	Driver Rivet(No.0X2.6)	2	67	891-559-1	Pipe	1
4	147-107-2	Valve Lever	1	34	944-002-0	Supporting Ring(2.6X4.5X1)	1	68	891-560-1	Socket Snap Pin	1
5	147-210-2	Reverse Valve	1	35	944-003-0	Supporting Ring(3X5X1)	1	69	975-001-0	Spacer(6X2.8X3)	1
6	147-211-2	Reverse Valve Bushing	1	36	944-211-0	Supporting Ring(10X14X1.5)	1	PARTS FOR UL40D			
7	480-212-8	Reverse Lever	1	37	952-106-0	Allen Head Dog Point Screw (M4X6)	1	70	143-350-2	Driver Anvil	1
8	143-091-0	Air Inlet Bushing	1	38	970-148-0	Pin(H)(2.5X3.5)	1	71	011-351-1	Bit Sleeve(1/8)	1
9	147-780-3	Exhaust Slack	1	39	971-102-0	Pin(2X3.8)	1	72	011-352-1	Bit Spacer	1
10	147-042-2	Silencer	1	40	971-123-0	Pin(2X2.3)	1	73	143-924-2	Name Plate	1
11	145-835-6	FiHer(K50)	1	41	973-008-0	Roll Pin(2X8)	2	74	976-327-0	Spring(13.5X11)(0.9)	1
12	143-285-0	Rear Plate	1	42	973-014-0	Roll Pin(2X14)	1	75	978-117-0	Snap Ring(11.7X10)	1
13	143-286-0	Cylinder	1	43	976-006-0	Spring(3X5)(0.4)	1	76	981-002-0	Ball(1/8)	1
14	143-287-0	Rotor	1	44	976-457-0	Spring(7X12)(0.9)	1	PARTS FOR (TM)-TYPE			
15	143-288-0	Blade(PC)	9	45	976-803-0	Spring(2.8X18)(0.4)WPC	1	79	851-073-1	Handle	1
16	144-289-0	Front Plate	1	46	979-324-0	Inner Snap Ring(IRTW-24)	1	80	850-610-1	Connecting Screw	1
17	143-036-0	Hammer Casing Connector	1	47	979-353-0	Inner Snap Ring(ISTW-12)	1	81	933-250-0	One Touch Connector(SLS-04)	1
18	143-439-0	Front Casing	1	48	981-002-0	Ball(1/8)	1	82	935-240-0	Nylon Tube(18NY)	1
19	143-454-0	Socket Spindle	1	49	981-045-0	Ball(1.5)	8	83	935-350-0	Polyurethane Hose(FI 504)	1
20	143-901-0	Rotor	1	50	982-014-0	Ball Bearing(607)	1	ACCESSORIES			
21	143-902-0	Liner	1	51	982-901-0	Ball Bearing(6900)	1	78	143-242-2	Adjuster	1
22	143-319-0	Anvil	1	52	982-922-0	Ball Bearing(6901ZZ)	1	84	939-091-1	Allen Wrench (1.5mm) (55 x 55)	1
23	143-440-0	Driving Blade	2	53	990-306-0	O-Ring(ARP-568-004)(H)	1				
24	143-974-0	Roller(2.5X21)	2	54	990-329-0	O-Ring(JW1530-19)	1				
25	143-906-0	Liner Casing Setter	1	55	990-912-0	O-Ring(SNS-14)	1				
26	143-970-3	Relief Valve	1	56	990-914-0	O-Ring(SNS-16)	1				
27	194-742-3	Oil Plug	1	57	990-916-0	O-Ring(SNS-18)	1				
28	143-327-0	Anvil Front Spacer	1	58	990-925-0	O-Ring(SNS-32)	2				
29	174-790-0	Suspension Ring	1	59	990-970-0	O-Ring(SNS-2)NOK	2				



10000 SE Pine Street
Portland, OR 97216
877-273-3903
FAX 800-959-6601

When ordering spare parts, please specify
tool type, part number and description.

NOTES

AIMCO also offers a complete line of standard & special adapters, bits, sockets and extensions.