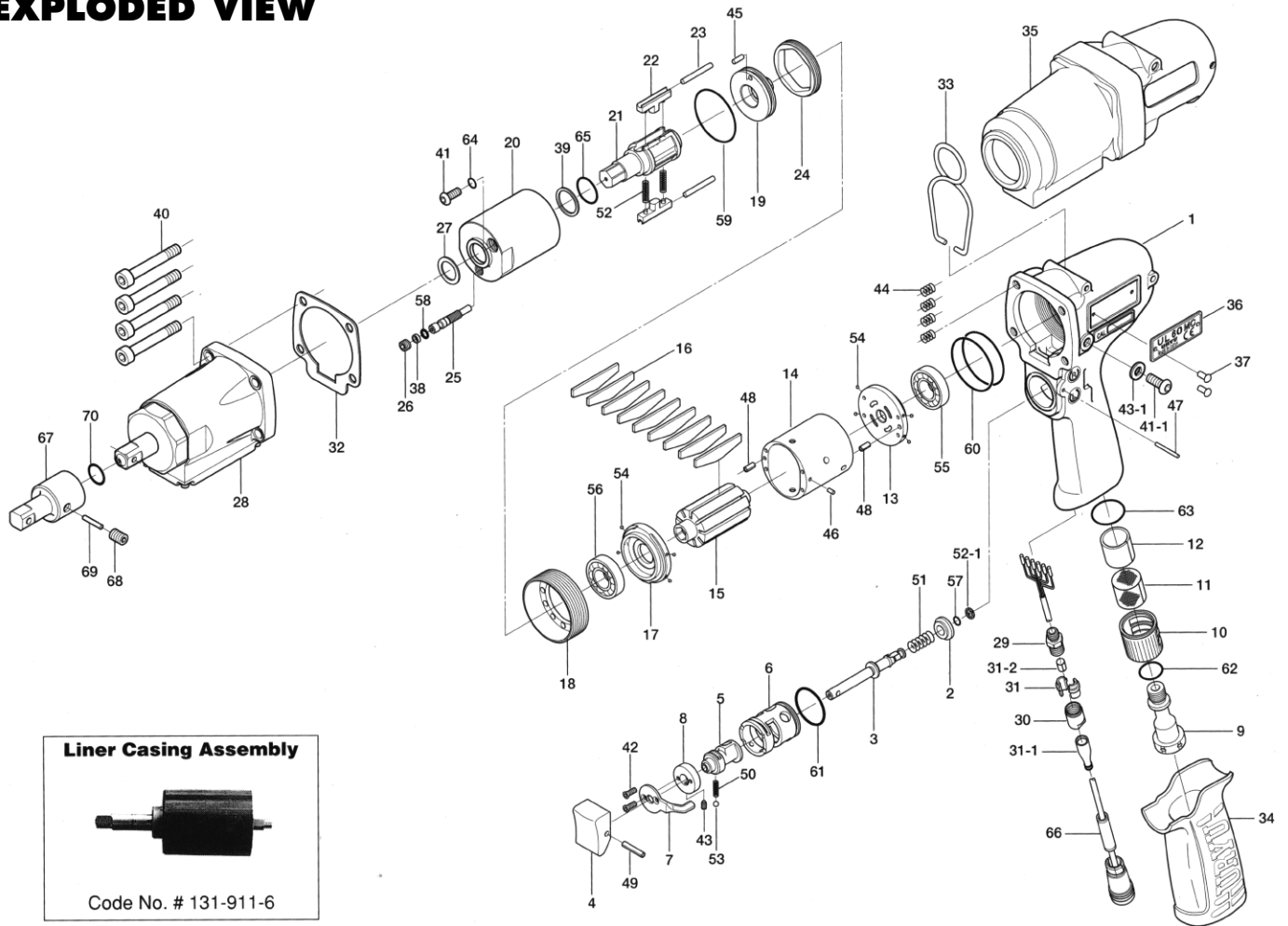
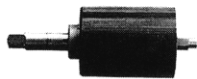


UL-60MC SERIES OIL-PULSE WRENCHES

EXPLODED VIEW



Liner Casing Assembly



Code No. # 131-911-6

PARTS LIST — FOR REFERENCE ONLY

Index Number	Part Number	Description	Qty.	Index Number	Part Number	Description	Qty.	Index Number	Part Number	Description	Qty.
1	131-025-6	Handle	1	29	851-301-1	Connector	1	50	976-006-0	Spring (3x5)	1
2	147-100-3	Valve	1	30	851-302-1	Cap	1	51	976-457-0	Spring (7x12)(0.9)	1
3	147-104-2	Valve Rod	1	31	851-303-1	Stopper	2	52	976-788-0	Spring (3.5x25)(0.45)	2
4	147-107-2	Valve Lever	1	31-1	131-564-8	Lock Sleeve Cover	1	52-1	976-405-0	Outer Snap Ring (E2.5)	1
5	851-306-1	Reverse Valve	1	31-2	131-395-8	Outer Ring	1	53	981-002-0	Ball (1/8)	1
6	851-359-1	Reverse Valve Busing	1	32	149-867-2	Front Casing Packing	1	54	981-045-0	Ball (1.5mm)	8
7	173-212-0	Reverse Lever	1	33	174-790-0	Suspension Ring	1	55	982-014-0	Ball Bearing (607)	1
8	851-307-1	Reverse Valve Spacer	1	34	131-842-6	Handle Cover	1	56	982-902-0	Ball Bearing (6901)	1
9	147-091-2	Air Inlet Bushing	1	35	131-840-6	Body Jacket	1	57	990-306-0	O-Ring (ARP-568-004)(H)	1
10	147-780-3	Exhaust Stack	1	36	131-924-6	Metal Tag	1	58	990-320-0	O-Ring (ARP-568-003)	1
11	147-042-2	Silencer	1	37	930-205-0	Driver Screw Rivet (No.0x2.6)	2	59	990-331-0	O-Ring (JW-1530-21)	1
12	147-835-3	Filter (K200)	1	38	944-002-0	Supporting Ring (2.6x4.5x1)	1	60	990-337-0	O-Ring (JW-1530-27)	2
13	147-285-2	Rear Plate	1	39	944-212-0	Supporting Ring (12x16x1.5)	1	61	990-912-0	O-Ring (SNS-14)	1
14	147-286-2	Cylinder	1	40	945-117-0	Allen Head Bolt (M5x16)	4	62	990-914-0	O-Ring (SNS-16)	1
15	147-287-3	Rotor	1	41	945-942-0	Hexagon Round Head Bolt (M4x6)	1	63	990-916-0	O-Ring (SNS-18)	1
16	147-288-2	Blade (PC)	9	41-1	945-949-0	Hexagon Round Head Bolt (M5x6)	1	64	990-971-0	O-Ring (SNS-3)(NOK)	1
17	147-289-3	Front Plate	1	42	948-423-0	Allen Flush Head Screw (M3x6)	2	65	992-020-0	SU-Ring (Q12)(NTN)	1
18	147-036-2	Hammer Casing Connector	1	43	952-006-0	Allen Head Dog Point Screw (M3x6)	1	66	910-258-0	Joint Cable Assembly	1
19	143-901-6	Rear Liner Plate	1	43-1	961-012-0	Flat Washer (5mm)	1	67	904-090-0	Extension Bar (3/8x45)(MC)	1
20	143-902-6	Liner	1	44	965-011-0	Heli-Sert (M5x1.5D)	4	68	953-104-0	Allen Head Flat Point Screw (M4X4)	1
21	851-316-1	Anvil	1	45	970-148-0	Pin (H) (2.5x3.8)	1	69	971-214-0	Pin (3X14)	1
22	143-440-6	Driving Blade	2	46	971-102-0	Pin (2x3.8)	1	70	990-011-0	O-Ring (P12)	1
23	143-974-6	Roller (2.5x25)	2	47	971-130-0	Pin (2x30)	1				
24	143-906-3	Liner Casing Cover	1	48	973-008-0	Roll Pin (2x8)	2				
25	143-970-6	Relief Valve	1	49	973-014-0	Roll Pin (2x14)	1				
26	136-969-7	Relief Valve Plate	1								
27	178-327-9	Anvil Front Spacer	1								
28	851-679-1	Sensor Casing Assembly (S04S)	1								

ACCESSORIES

81	910-263-0	Sensor Cable Assembly (3F5)	1
82	909-749-0	Solenoid Valve Assembly	1



10000 SE Pine Street
Portland, OR 97216
503-254-6600
FAX 503-255-2615

When ordering spare parts, please specify
tool type, part number and description.

AIMCO also offers a complete line of standard & special
adapters, bits, sockets and extensions.