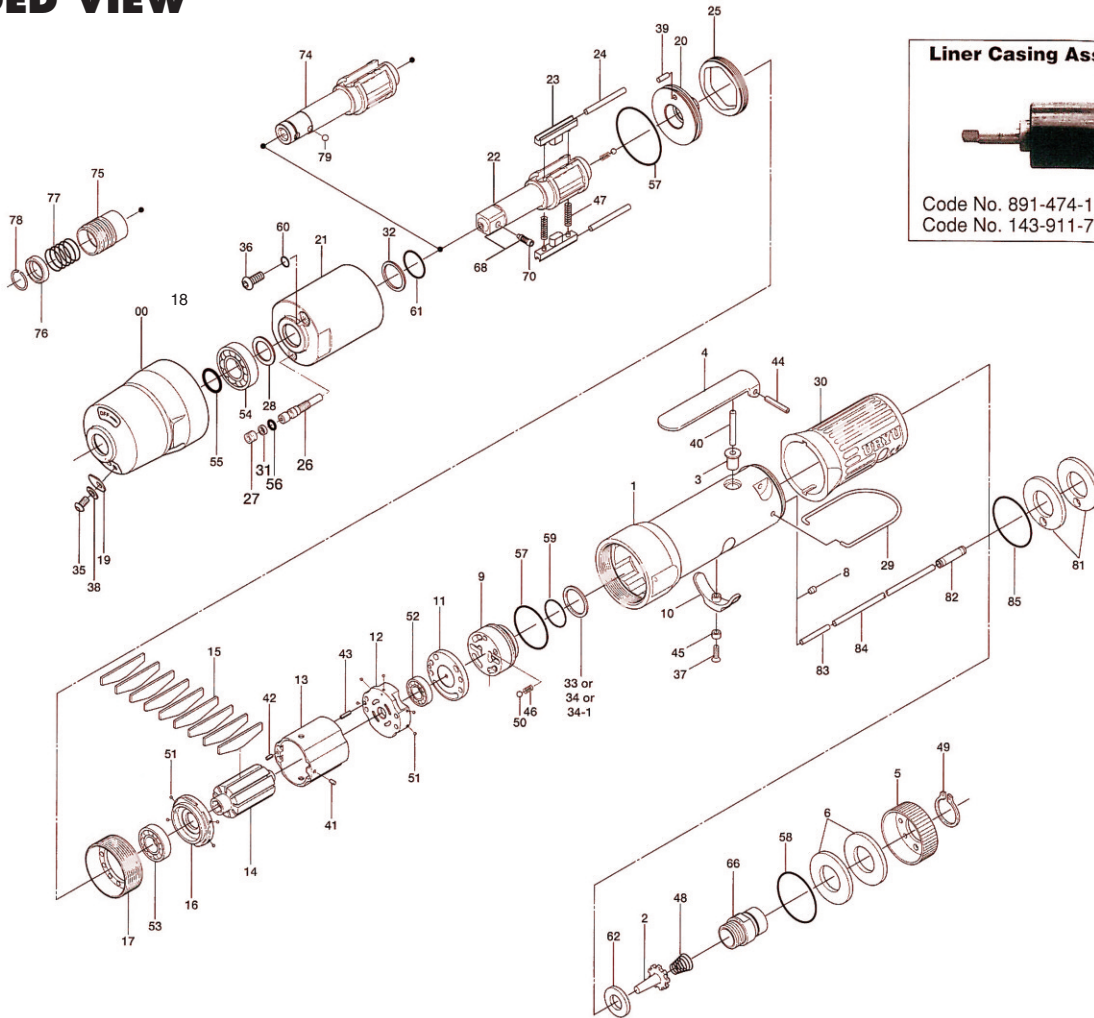
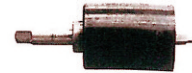


# UL-60S SERIES OIL-PULSE WRENCHES

## EXPLODED VIEW



### Liner Casing Assembly



Code No. 891-474-1 (UL60)  
Code No. 143-911-7 (UL60D)

## PARTS LIST — FOR REFERENCE ONLY

Index Number	Part Number	Description	Qty.	Index Number	Part Number	Description	Qty.	Index Number	Part Number	Description	Qty.
1	107-025-2	Casing	1	30	129-842-3	Handle Cover	1	58	990-603-0	O-Ring (28.5X1.3)	1
2	259-100-0	Valve	1	31	944-002-0	Supporting Ring (2.6X4.5X1)	1	59	990-912-0	O-Ring (SNS-14)	1
3	161-103-3	Valve Rod Bushing	1	32	944-212-0	Supporting Ring (12X16X1.5)	1	60	990-971-0	O-Ring (SNS-3)(NOK)	1
4	196-107-7	Valve Lever	1	33	944-216-0	Supporting Ring (14X20X1.85)	1	61	992-020-0	SU-Ring (Q12)(NTN)	1
5	128-782-8	Exhaust Cover	1	34	944-218-0	Supporting Ring (14X20X1.9)	1	62	996-424-0	Packing (16X9X2)	1
6	128-835-8	Filter(K200)	2	34-1	944-232-0	Supporting Ring (14X20X1.95)	1	68	891-561-1	Socket Spindle Assembly (P)	1
66	128-091-8	Air Inlet Bushing	1	35	945-935-0	Hexagon Round Head Bolt (M3X6)	1	70	891-300-1	Socket Snap Pin	1
8	147-064-6	Plug	1	36	945-942-0	Hexagon Round Head Bolt (M4X6)	1	<b>PARTS FOR UL60SD</b>			
9	106-210-8	Reverse Valve	1	37	948-426-0	Allen Flush Head Screw (M3X12)	1	74	143-350-7	Driver Anvil	1
10	161-212-3	Reverse Lever	1	38	961-030-0	Flat Washer (3)	1	75	011-351-1	Bit Sleeve (1/8)	1
11	128-291-8	Rear Plate Spacer	1	39	970-148-0	Pin (H) (2.5X3.8)	1	76	011-352-1	Bit Spacer	1
12	129-285-2	Rear Plate	1	40	970-221-0	Pin (H) (3X21.5)	1	77	976-327-0	Spring (13.5X11)(0.9)	1
13	129-286-2	Cylinder	1	41	971-102-0	Pin (2X3.8)	1	78	978-117-0	Snap Ring (11.7X1)	1
14	145-287-6	Rotor	1	42	973-008-0	Roll Pin (2X8)	1	79	981-002-0	Ball (1/8)	1
15	147-288-2	Blade (PC)	9	43	973-018-0	Roll Pin (2X18)	1	<b>PARTS FOR (TM)-TYPE</b>			
16	128-289-8	Front Plate	1	44	973-122-0	Roll Pin (3X22)	1	81	851-053-1	Filter (K200)	2
17	147-036-2	Hammer Casing Connector	1	45	975-004-0	Spacer (5.5X3.1 X2.7)	1	82	933-250-0	One-Touch Connector (SLS-04)	1
18	107-439-2	Front Casing	1	46	976-006-0	Spring (3X5)(0.4)	1	83	935-240-0	Nylon Tube (18NY)	1
19	143-243-8	Regulator Valve Cover	1	47	976-788-0	Spring (3.5X25) (0.45) (WPC)	2	84	935-350-0	Polyurethane Hose (F-1504)	1
20	143-901-6	Rear Liner Plate	1	48	977-227-0	Cone Spring (9X12X25)(0.8)	1	85	990-333-0	O-Ring (JW1530-23)	1
21	143-902-6	Liner	1	49	979-358-0	Inner Snap Ring (ISTW-17)	1	<b>ACCESSORIES</b>			
22	143-319-6	Anvil	1	50	981-002-0	Ball (1/8)	1	939-091-0	Allen Wrench 1.5(80X20)	1	
23	143-440-6	Driving Blade	2	51	981-045-0	Ball (1.5mm)	9	939-107-0	Allen Wrench 2	1	
24	143-974-6	Roller (2.5X25)	2	52	982-014-0	Ball Bearing (607)	1	<b>NOTES</b>			
25	143-906-3	Liner Casing Cover	1	53	982-902-0	Ball Bearing (6901)	1	AIMCO also offers a complete line of standard & special adapters, bits, sockets and extensions.			
26	143-970-6	Relief Valve	1	54	982-922-0	Ball Bearing (6901ZZ)	1				
27	136-969-7	Relief Valve Cover	1	55	990-012-0	O-Ring (PI2.5)	1				
28	178-327-9	Anvil Front Spacer	1	56	990-320-0	O-Ring (ARP568-003)	1				
29	191-790-1	Suspension Bail	1	57	990-331-0	O-Ring (JW1530-21)	2				



10000 SE Pine Street  
Portland, OR 97216  
503-254-6600  
FAX 503-255-2615

When ordering spare parts, please specify  
tool type, part number and description.