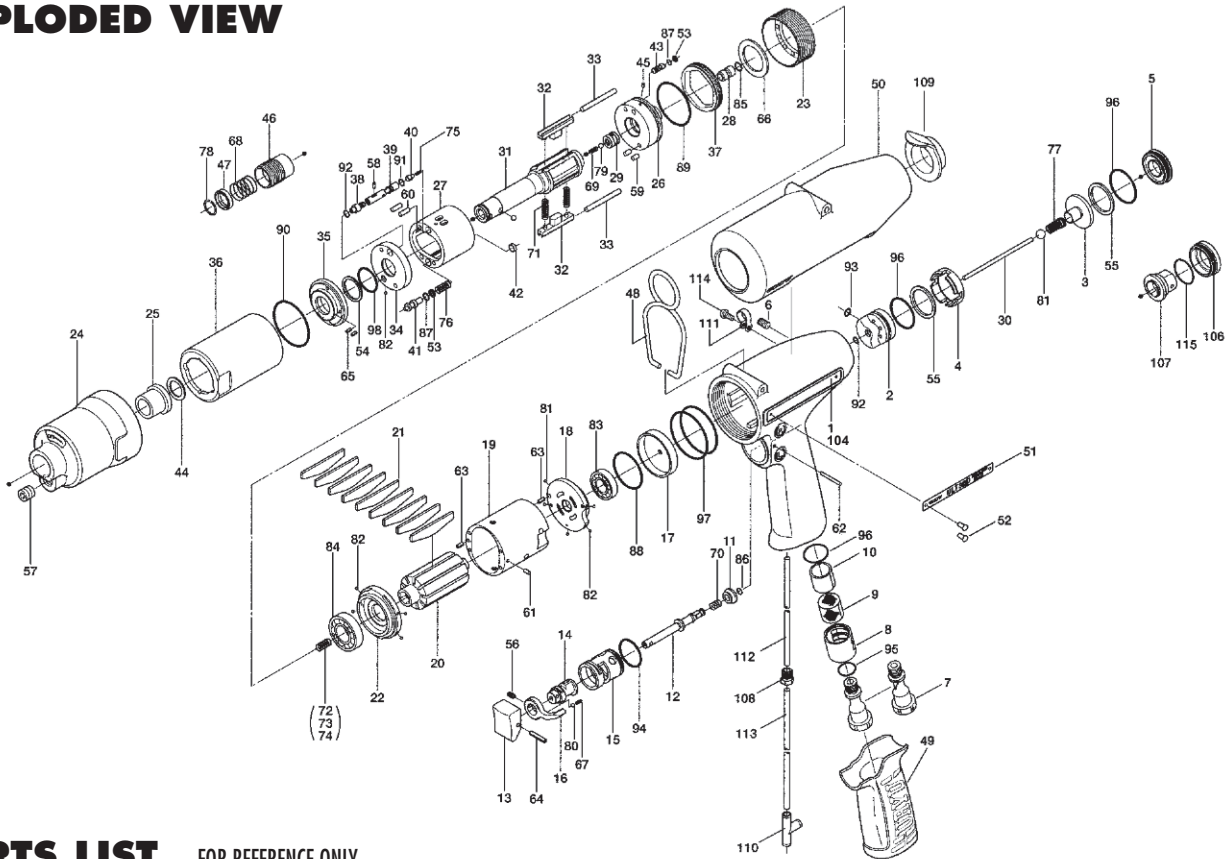


ULT30D SERIES OIL-PULSE WRENCH

EXPLODED VIEW



PARTS LIST — FOR REFERENCE ONLY

Index Number	Part Number	Description	Qty.	Index Number	Part Number	Description	Qty.	Index Number	Part Number	Description	Qty.
1	18A-025-0	Handle	1	41	145-972-6	Accumulator	1	81	981-003-0	Ball (5/32)	1
2	145-253-0	Shut-Off Valve Bushing	1	42	145-908-7	Accumulator Cover	1	82	981-045-0	Ball (1.5)	10
3	145-254-6	Shut-Off Valve	1	43	178-742-0	Oil Plug	1	83	982-014-0	Ball Bearing (607)	1▲
4	145-684-6	Cushion Spacer	1	44	145-327-6	Anvil Front Spacer	1	84	982-901-0	Ball Bearing (6900)	1▲
5	145-019-6	Valve Cover	1	45	150-064-5	Plug	1	85	990-305-0	O-Ring (ARP568-003) (KS)	1
6	150-108-5	Valve Plug	1	46	011-351-1	Bit Sleeve (1/8)	1	86	990-306-0	O-Ring (ARP-568-004) (H)	1
7	147-091-2	Air Inlet Bushing	1	47	011-352-1	Bit Spacer	1	87	990-320-0	O-Ring (ARP568-003)	2
8	147-780-3	Exhaust Stack	1	48	174-790-0	Suspension Ring	1	88	990-327-0	O-Ring (JW1530-18)	1
9	147-042-2	Silencer	1	49	147-842-2	Handle Cover	1	89	990-329-0	O-Ring (JW1530-19)	1
10	147-835-3	Filter (K200)	1▲	50	145-840-7	Casing Cover	1	90	990-605-0	O-Ring (25X1.45)	1
11	147-100-2	Valve	1	51	144-924-0	Name Plate	1	91	990-621-0	O-Ring (3.8X1.8X1.0)	1
12	142-104-6	Valve Rod	1	52	930-205-0	Pin (NO.0X2.6)	2	92	990-900-0	O-Ring (SNS-2)	2
13	147-107-2	Valve Lever	1	53	944-002-0	Supporting Ring (2.6X4.5X1)	2	93	990-901-0	O-Ring (SNS-3)	1
14	147-210-2	Reverse Valve	1	54	944-212-0	Supporting Ring (12X16X1.5)	1	94	990-912-0	O-Ring (SNS-14)	1
15	147-211-2	Reverse Valve Bushing	1	55	944-217-0	Supporting Ring (14X20X1.8)	2	95	990-914-0	O-Ring (SNS-16)	1
16	480-212-8	Reverse Lever	1	56	952-106-0	Allen Head Dog Point Screw (M4X6)	1	96	990-916-0	O-Ring (SNS-18)	1
17	145-291-7	Rear Plate Spacer	1	57	966-099-0	Allen Head Plug (NPT1/16)GDL	1	97	990-925-0	O-Ring (SNS-32)	2▲
18	144-285-0	Rear Plate	1	58	970-013-0	Pin (H) (1.5X4)	1	98	992-020-0	SU-Ring (Q12) (NTN)	1
19	144-286-0	Cylinder	1	59	970-130-0	Pin (H) (2.45X4.5)	2				
20	144-287-0	Rotor	1	60	970-131-0	Pin (H) (2.45X9.5)	2				
21	144-288-0	Blade (PC)	9▲	61	971-102-0	Pin (2X3.8)	1				
22	144-289-0	Front Plate	1	62	971-123-0	Pin (2X23)	1				
23	144-036-0	Hammer Casing Connector	1	63	973-008-0	Roll Pin (2X8)	2				
24	144-439-0	Front Casing	1	64	973-014-0	Roll Pin (2X14)	1				
25	190-328-6	Anvil Bushing	1	65	973-040-0	Roll Pin (1.5X5)	2				
26	144-901-0	Rear Liner Plate	1	66	975-765-0	Adjusting Spacer (15X9X1)	1				
27	144-902-0	Liner	1	67	976-006-0	Spring (3X5)	1				
28	145-546-6	Piston	1	68	976-327-0	Spring (13.5X11)	1				
29	145-929-6	Check Valve Cover	1	69	976-651-0	Spring (2.4X5) (0.23)	1				
30	145-130-0	Operating Rod (2.1X50.9)	1	70	976-457-0	Spring (7X12) (0.9)	1				
31	144-350-0	Driver Anvil	1	71	976-782-0	Spring (3.3X 16) (0.4)WPC	2				
32	144-440-0	Driving Blade	2	72	976-650-0	Spring (3.3X16) (0.45) [Standard]	1				
33	145-974-0	Roller (2.5X21)	2	73	976-688-0	Spring (3.3X17.5) (0.4)[Weak]	1				
34	144-973-0	Liner Casing Spacer	1	74	976-661-0	Spring (3.3X17) (0.4) (Black)	1				
35	144-904-0	Front Liner Plate	1	75	976-704-0	Spring (2.7X6.6) (0.35)	1				
36	144-905-0	Liner Casing	1	76	976-674-0	Spring (4.3X14) (0.55)	1				
37	144-906-0	Liner Casing Cover	1	77	977-043-0	Cone Spring (4.1 X4.7X9) (0.45)	1				
38	145-907-6	Relief Valve Spindle	1	78	978-117-0	Snap Ring (11.7X1.0)	1				
39	144-970-0	Relief Valve	1	79	981-001-0	Ball (3/32)	1				
40	144-270-0	Valve	1	80	981-002-0	Ball (1/8)	2				

ACCESSORIES

101	939-091-0	Allen Wrench (1.5mm)	1
102	939-105-0	Allen Wrench (4mm)	1

PARTS FOR (TM)-TYPE

104	852-558-1	Handle	1
106	851-017-1	Valve Cover	1
107	851-050-1	Valve Spacer	1
108	850-610-1	Connecting Screw	1
109	851-060-1	Cap	1
110	909-442-0	Quick Exhaust (AQ240F-04-00)	1
111	929-050-0	Coupling	1
112	935-240-0	Nylon Tube (18NY)	1
113	935-350-0	Polyurethane Hose (F1504)	1
114	957-006-0	Cross Pan Head Screw	1
115	990-916-0	O-Ring (SNS-18)	1
116	909-449-0	Speed Controller (AS1001F-04)	1

FOOTNOTES

▲ Items in Repair Kit ULT-30-RK

AIMCO also offers a complete line of standard & special adapters, bits, sockets and extensions.

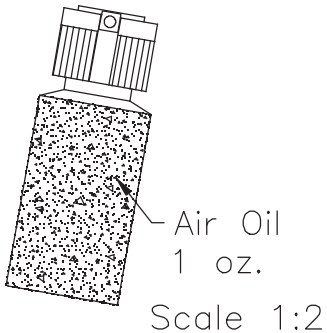
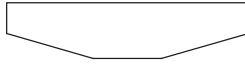
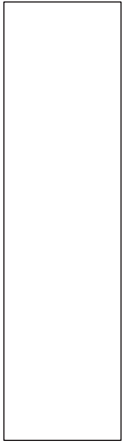
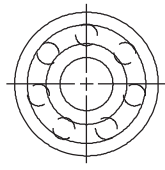


10000 SE Pine Street
Portland, OR 97216
503-254-6600
FAX 503-255-2615

When ordering spare parts, please specify tool type, part number and description.

ULT-30D-RK

(Kit contains following parts)

#/#	Item Number on Exploded View	Part Number	QTY	Description	Material	Drawing / Scketch
1	-	AM-OIL	1	Oil Air Motor 1 oz. fluid	Plastic Container	
2	21	144-288-0	9	Blade(PC)	Phenolic-Fiber	
3	10	147-835-3	1	Filter K200	Sendered Plastic	
4	83	982-014-0	1	Ball Bearing(607)	Bearing Steel	

ULT-30D-RK

(Kit contains following parts)

#/#	Item Number on Exploded View	Part Number	QTY	Description	Material	Drawing / Scketch
5	84	982-901-0	1	Ball Bearing(6900)	Bearing Steel	
6	97	990-925-0	1	O-Ring (SNS-32)	Buna-Black	