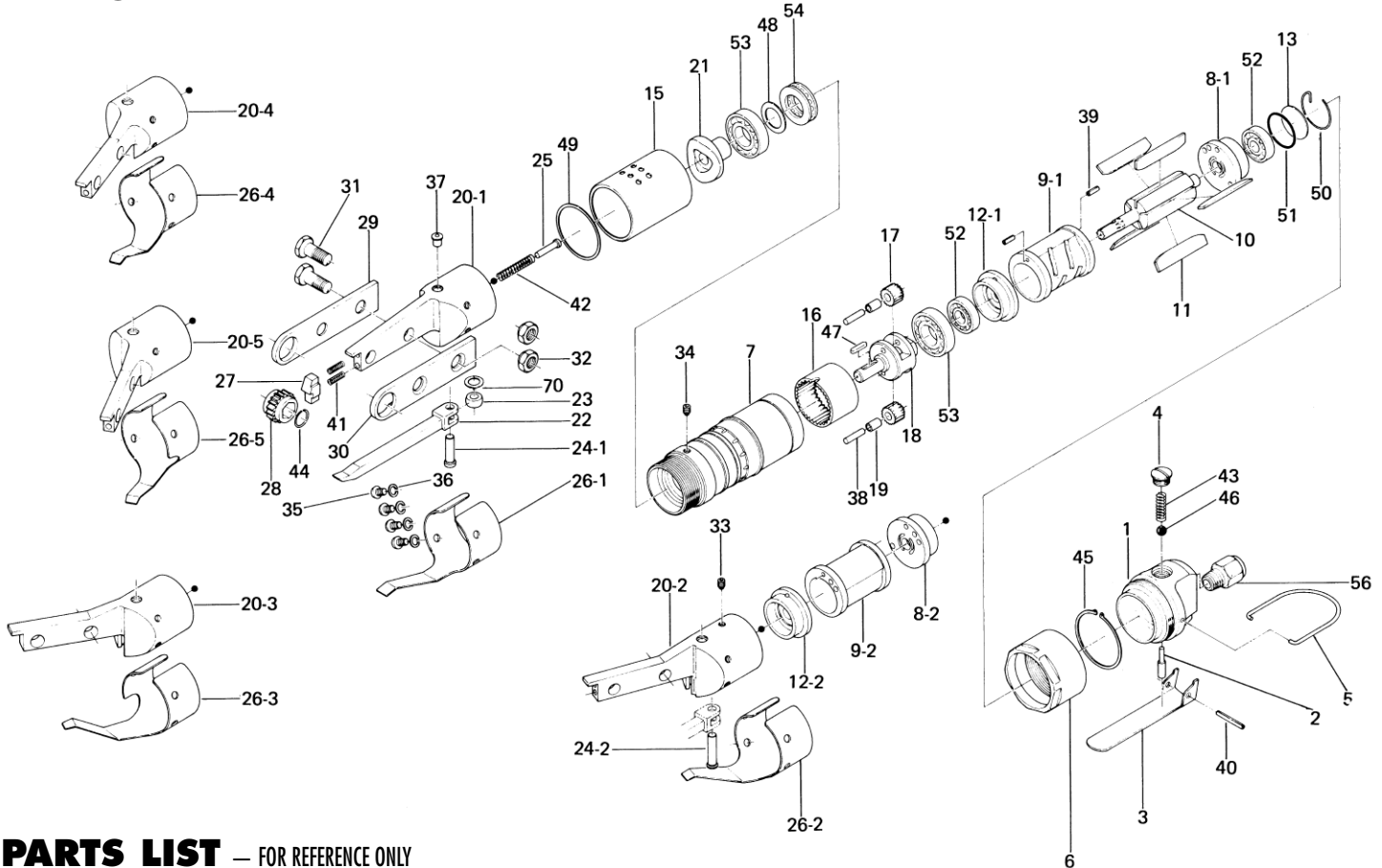


URW-8N, 80, 80R, 81, 81R RATCHET WRENCHES

EXPLODED VIEW



PARTS LIST — FOR REFERENCE ONLY

Index Number	Part Number	Description	Qty.	Index Number	Part Number	Description	Qty.	Index Number	Part Number	Description	Qty.
1	201-014-1	Handle	1	24-2	201-652-2	Cam Roller Pin (for URW-80, 80R, 81 & 81R)	1	49	975-875-0	Adjusting Spacer (44 x 40.2 x T)	1
2	201-104-1	Valve Rod	1	25	201-653-1	Cam Roller Push Pin	1	50	978-310-0	Snap Ring (31 x 1.2)	1
3	020-107-1	Valve Lever	1	26-1	201-663-1	Rod Plate Spring (for URW-8N)	1	51	990-920-0	O-Ring (SNS25)	1
4	201-108-1	Valve Plug	1	26-2	229-663-1	Rod Plate Spring (for URW-80)	1	52	982-024-0	Ball Bearing (629)	2
5	201-790-1	Suspension Ring	1	26-3	231-663-1	Rod Plate Spring (for URW-81)	1	53	982-404-0	Ball Bearing (EE-5)	2
6	201-736-1	Handle Nut	1	26-4	229-663-6	Rod Plate Spring (for URW-80R)	1	54	986-003-0	Thrust Ball Bearing (51103)	1
7	201-025-1	Casing	1	26-5	231-663-6	Rod Plate Spring (for URW-81R)	1	70	201-807-1	Spacer (8 x 6 x 1) (for URW-8N)	1
8-1	510-285-2	Rear Plate (for URW-8N, 80R & 81R)	1	27	201-562-1	Checker	1	ACCESSORIES			
8-2	229-285-1	Rear Plate (for URW-80 & 81)	1	28	212-656-1	Ratchet (14MM)	1	56	942-114-0	Connecting Screw (1/4 x NPT1/4)	1
9-1	510-286-1	Cylinder (for URW-8N, 80R & 81R)	1	29	201-664-1	Rod Guide (Right)	1	optional ACCESSORIES			
9-2	229-286-1	Cylinder (for URW-80 & 81)	1	30	201-665-1	Rod Guide (Left)	1	60	221-656-1	Ratchet (7mm)	1
10	201-287-1	Rotor	1	31	201-666-1	Rod Guide Bolt	2	60-1	978-097-0	Snap Ring (9.5 x 0.8)	1
11	201-288-1	Blade	5	32	201-667-1	Rod Guide Nut	2	61	222-656-1	Ratchet (8mm)	1
12-1	201-289-1	Front Plate (for URW-8N, 80R & 81R)	1	33	954-105-0	Allen Head Cone Point Screw (M4 x 5)	3	61-1	978-097-0	Snap Ring (9.5 x 0.8)	1
12-2	229-289-2	Front Plate (for URW-80 & 81)	1	34	952-204-0	Allen Head Dog Point Screw (M5 x 5-L)	1	62	201-656-1	Ratchet (9mm)	1
13	510-291-1	Rear Plate Spacer	1	35	948-208-0	Round Head Screw (M5 x 8)	4	62-1	978-120-0	Snap Ring (11.8 x 0.8)	1
15	201-782-1	Exhaust Deflector	1	36	962-008-0	Spring Washer (2-55)	4	63	210-656-1	Ratchet (10mm)	1
16	201-465-1	Internal Gear	1	37	968-131-0	Grease Cup (1/4)	1	63-1	978-135-0	Snap Ring (12.5 x 0.8)	1
17	201-470-2	Planet Gear	2	38	972-119-0	Needle Roller (4 x 18)	2	64	211-656-1	Ratchet (12mm)	1
18	201-480-1	Gear Cage	1	39	973-110-0	Roll Pin (3 x 10)	2	64-1	978-140-0	Snap Ring (14 x 1)	1
19	312-496-1	Planet Gear Bushing	2	40	973-124-0	Roll Pin (3 x 24)	1	65	209-656-1	Ratchet (12.7mm)	1
20-1	201-381-1	Cam Casing (for URW-8N)	1	41	976-032-0	Spring (3.6 x 13)	2	65-1	978-150-0	Snap Ring (15 x 1)	1
20-2	229-381-1	Cam Casing (for URW-80)	1	42	976-119-0	Spring (6 x 40)	1	66	207-656-1	Ratchet (13mm)	1
20-3	231-381-1	Cam Casing (for URW-80R)	1	43	976-129-0	Spring (6.5 x 21)	1	67	978-150-0	Snap Ring (15 x 1.0)	1
20-4	229-381-6	Cam Casing (for URW-81)	1	44	978-106-0	Snap Ring (10.5 x 0.8 x 5)	1				
20-5	231-381-6	Cam Casing (for URW-81R)	1	45	979-543-0	Outer Snap Ring (WR43)	1				
21	201-346-1	Cam	1	46	981-207-0	Steel Ball (9/32)	1				
22	201-650-1	Rod	1	47	974-015-0	Key (3 x 15)	1				
23	201-651-1	Cam Roller	1	48	201-697-5	Thrust Rear Spacer (24 x 16 x 1)	1				
24-1	201-652-2	Cam Roller Pin (for URW-8N)	1								



10000 SE Pine Street
Portland, OR 97216
503-254-6600
FAX 503-255-2615

When ordering spare parts, please specify tool type, part number and description.

FOOTNOTES

AIMCO also offers a complete line of standard & special adapters, bits, sockets and extensions.