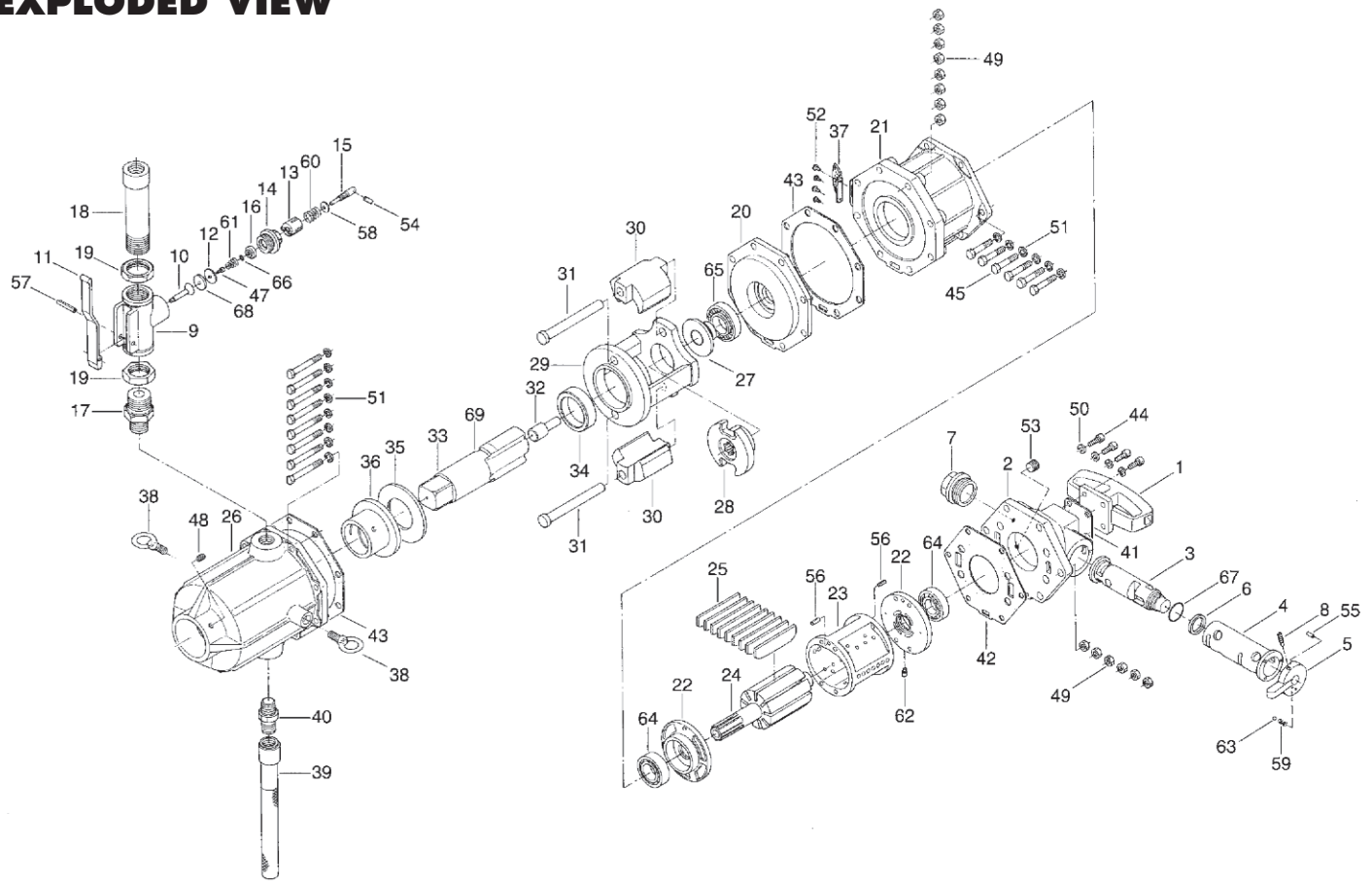


UW-75S IMPACT WRENCH

EXPLODED VIEW



PARTS LIST — FOR REFERENCE ONLY

Index Number	Part Number	Description	Qty.
1	117-725-1	Head Handle	1
2	120-012-1	Head Cover	1
3	120-210-2	Reverse Valve	1
4	120-211-1	Reverse Valve Bushing	1
5	120-212-1	Reverse Lever	1
6	120-213-1	Reverse Valve Spacer	1
7	120-214-1	Reverse Valve Cover	1
8	120-218-1	Reverse Lever Set Screw	1
9	120-014-1	Valve Body	1
10	120-100-1	Valve	1
11	120-107-1	Valve Lever	1
12	120-120-1	Valve Packing Spacer	1
13	120-242-1	Regulator Dial	1
14	120-243-1	Regulator Valve Cover	1
15	120-245-1	Regulator Valve Spindle	1
16	120-246-1	Regulator Valve O-Ring Casing	1
17	120-729-2	Valve Body Connector	1
18	120-734-1	Valve Body Pipe	1
19	120-739-1	Valve Body Nut PS1/4	2
20	120-027-1	Separator	1
21	120-025-1	Casing	1
22	120-284-1	Cylinder Plate	2
23	120-286-1	Cylinder	1
24	120-287-1	Rotor	1
25	120-288-1	Blade	9 ●

Index Number	Part Number	Description	Qty.
26	120-028-1	Hammer Casing	1
27	120-310-1	Anvil Rear Spacer	1
28	120-311-1	Hammer Cam	1
29	120-312-1	Hammer Cage	1
30	120-313-1	Hammer	2
31	120-317-1	Hammer Pin	2
32	120-318-1	Pilot Pin	1
33	120-319-1	Anvil	1
34	120-326-1	Hammer Cage Bushing	1
35	120-327-1	Anvil Front Spacer	1
36	120-328-1	Anvil Bushing	1
37	120-021-1	Exhaust Cover	1
38	120-795-1	Eye Bolt	2
39	636-720-1	Dead Handle	1
40	636-730-1	Dead Handle Connector	1
41	120-851-1	Handle Packing	1
42	120-853-1	Handle Cover Packing	1 ●
43	120-856-1	Separator Packing	2 ●
44	945-325-0	Allen Head Bolt (M8x25)	4
45	947-648-0	Half Head Bolt (UNF3/8x48)	6
46	947-678-0	Half Head Bolt (UNF3/8x78)	8
47	948-110-0	Round Head Screw (M4x10)	1
48	952-512-0	Allen Head Dog Point Screw (M8x12)	1
49	960-301-0	Hexagon Nut (UNF3/8)	14

Index Number	Part Number	Description	Qty.
50	962-011-0	Spring Washer (2-8S)	4
51	962-052-0	Spring Washer (2-3/8S)	14
52	963-250-0	Tapping Screw (1-M3x8)	4
53	966-100-0	Allen Head Plug (GM1/8)	1
54	971-324-0	Pin (4x24)	1
55	973-212-0	Roll Pin (4x2)	1
56	973-316-0	Roll Pin (5x16)	2
57	973-329-0	Roll Pin (5x40)	1
58	975-115-0	Spacer (19.5x9.3x2)	1
59	976-082-0	Spring (18x19x0.5)	1
60	976-440-0	Spring (18x25x1.2)	1
61	977-270-0	Cone Spring (10x20x20)	1
62	980-007-0	Round Head Notch (5mm)	1
63	981-006-0	Ball (1/4)	1
64	982-206-0	Ball Bearing (6206)	2
65	985-005-0	Cone Roller Bearing (30207)	1
66	990-004-0	O-Ring (P6)	1
67	990-224-0	O-Ring (JW1516-24)	1
68	996-453-0	Packing (28x4.1x3)	1
69	858-010-1	Anvil (1-1/2)	1

AIMCO also offers a complete line of standard & special adapters, bits, sockets and extensions.

● Items in Pulse Repair Kit UW-75S-RK

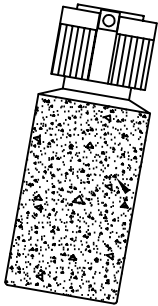
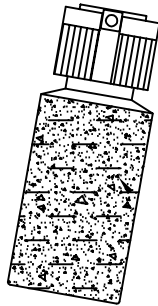



10000 SE Pine Street
Portland, OR 97216
503-254-6600
FAX 503-255-2615

When ordering spare parts, please specify tool type, part number and description.

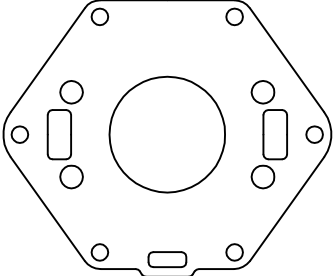
UW-75S-RK

(Kit contains following parts)

#/#	Item Number on Exploded View	Part Number	QTY	Description	Material	Drawing / Scketch
1	-	AM-OIL	1	Oil Air Motor 1 oz. fluid	Plastic Container	
2	-	HC-OIL	1	Hammer Case Oil 1 oz. fluid	Plastic Container	
3	25	120-288-1	9	Blade	Phenolic-Fiber	

UW-75S-RK

(Kit contains following parts)

#/#	Item Number on Exploded View	Part Number	QTY	Description	Material	Drawing / Scketch
4	42	120-853-1	1	Rear Packing	Gasket Material	
5	43	120-856-1	2	Front Packing	Gasket Material	