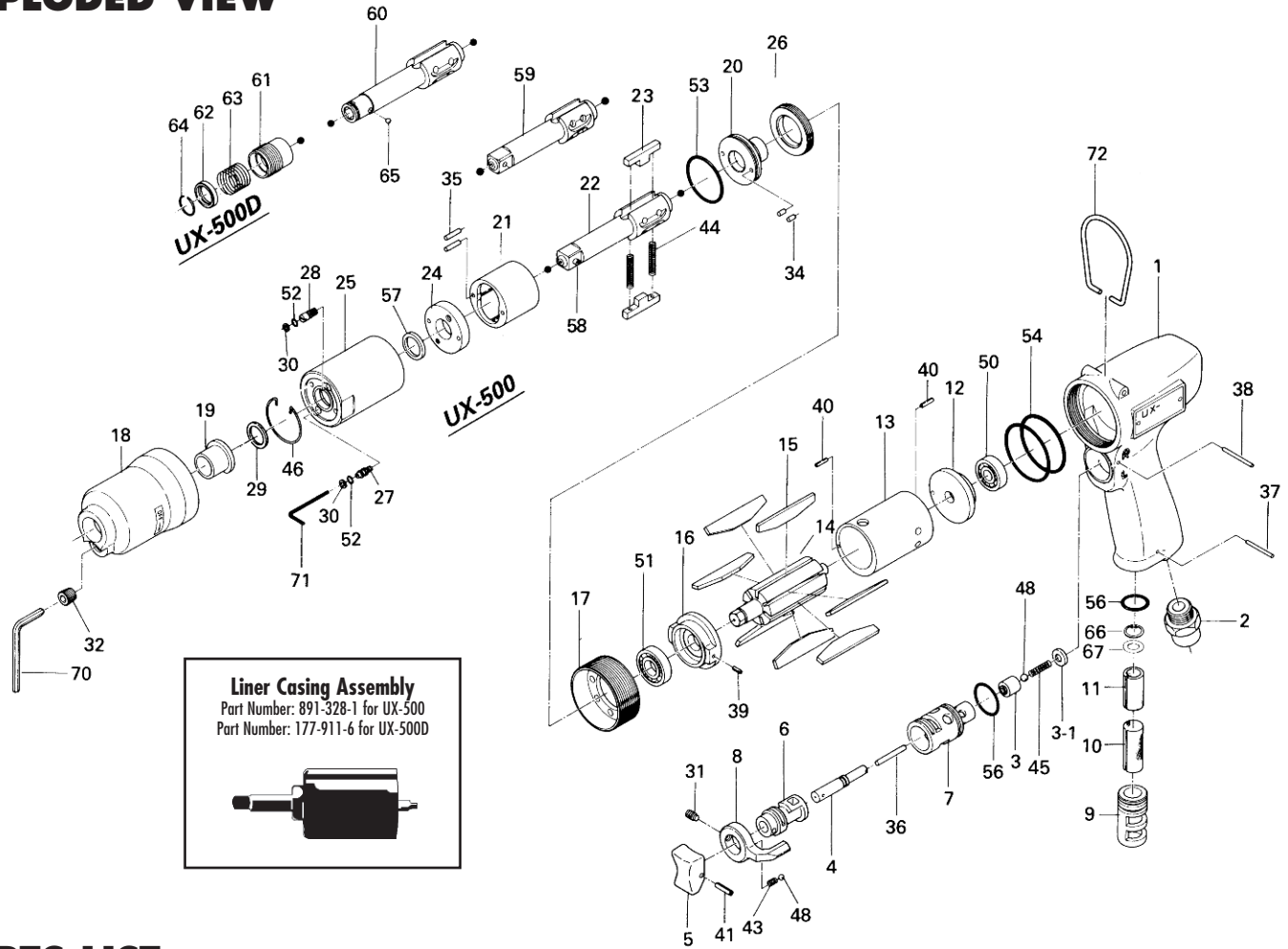


UX-500, 500D OIL-PULSE TOOLS

EXPLODED VIEW



Liner Casing Assembly
 Part Number: 891-328-1 for UX-500
 Part Number: 177-911-6 for UX-500D

PARTS LIST — FOR REFERENCE ONLY

| Index Number | Part Number | Description | Qty. | Index Number | Part Number | Description | Qty. | Index Number | Part Number | Description | Qty. |
|--------------|-------------|-------------------------|------|--------------|-------------|-------------------------------------|------|--------------------|-------------|-------------------------------------|------|
| 1 | 177-025-5 | Casing | 1 | 26 | 190-906-6 | Liner Casing Setter | 1 | 57 | 995-512-0 | Teflon Seal (P12) | 1 ● |
| 2 | 480-091-8 | Air Inlet Bushing | 1 | 27 | 174-907-8 | Relief Valve Spindle | 1 | 58 | 891-300-1 | Socket Pin Assembly (3/8) | 1 |
| 3 | 850-365-1 | Valve | 1 | 28 | 178-742-0 | Oil Plug | 1 | 59 | 177-319-5 | Anvil (0) | 1 |
| 3-1 | 850-366-1 | Valve Cover | 1 | 29 | 178-327-9 | Anvil Front Spacer | 1 | 60 | 177-350-7 | Driver Anvil | 1 ○ |
| 4 | 427-103-5 | Valve Rod Bushing | 1 | 30 | 944-002-0 | Supporting Ring (2.6 x 4.5 x 1) | 2 ● | 61 | 011-351-1 | Bit Sleeve | 1 ○ |
| 5 | 177-107-5 | Valve Lever | 1 | 31 | 952-106-0 | Allen Head Dog Point Screw (M4 x 6) | 1 | 62 | 011-352-1 | Bit Spacer | 1 ○ |
| 6 | 480-210-9 | Reverse Valve | 1 | 32 | 966-110-0 | Allen Head Plug (NPT1/16) | 1 | 63 | 976-327-0 | Spring (13.5 x 11) | 1 ○ |
| 7 | 850-382-1 | Reverse Valve Bushing | 1 | 34 | 970-130-0 | Pin (H) (2.45 x 4.5) | 2 | 64 | 978-117-0 | Snap Ring (11.7 x 1.0) | 1 ○ |
| 8 | 480-212-8 | Reverse Lever | 1 | 35 | 970-135-0 | Pin (H) (2.45 x 11) | 2 | 65 | 981-002-0 | Ball (1/8) | 1 ○ |
| 9 | 480-780-8 | Exhaust Stack | 1 | 36 | 969-412-0 | Pin (G) (2 x 12) | 1 | 66 | 979-004-0 | Inner Snap Ring (11) | 1 |
| 10 | 480-042-8 | Silencer | 1 | 37 | 971-120-0 | Pin (2 x 20) | 1 | 67 | 996-404-0 | Polyurethane Packing (11.5 x 5 x 2) | 1 |
| 11 | 177-835-6 | Filter | 1 ▲ | 38 | 971-123-0 | Pin (2 x 23) | 1 | 68 | 990-900-0 | O-Ring, When Used | 1 ● |
| 12 | 182-285-2 | Rear Plate | 1 | 39 | 973-006-0 | Roll Pin (2 x 6) | 1 | ACCESSORIES | | | |
| 13 | 177-286-5 | Cylinder | 1 | 40 | 973-008-0 | Roll Pin (2 x 8) | 2 | 70 | 939-105-0 | Allen Wrench (4mm) | 1 |
| 14 | 177-287-5 | Rotor | 1 | 41 | 973-014-0 | Roll Pin (2 x 14) | 1 | 71 | 939-091-0 | Allen Wrench (1.5mm) | 1 |
| 15 | 177-288-5 | Blade | 7 ▲ | 43 | 976-006-0 | Spring (3 x 5) | 1 | 72 | 010-790-1 | Suspension Ring | 1 |
| 16 | 182-289-2 | Front Plate | 1 | 44 | 976-791-0 | Spring (3.3 x 21) (0.4) | 2 ● | | | | |
| 17 | 177-036-5 | Hammer Casing Connector | 1 | 45 | 976-229-0 | Spring (3.2 x 13) (0.3) | 1 | | | | |
| 18 | 177-439-5 | Front Casing | 1 | 46 | 978-282-0 | Snap Ring (28 x 1.0) | 1 | | | | |
| 19 | 190-328-6 | Anvil Bushing | 1 | 48 | 981-002-0 | Ball (1/8) | 2 | | | | |
| 20 | 196-901-4 | Rear Liner Plate | 1 | 50 | 982-401-0 | Ball Bearing (EE-2) | 1 ▲ | | | | |
| 21 | 177-902-5 | Liner | 1 | 51 | 982-402-0 | Ball Bearing (EE-3) | 1 ▲ | | | | |
| 22 | 891-307-1 | Anvil (OP-P) | 1 | 52 | 990-320-0 | O-Ring (ARPS68-003) | 2 ● | | | | |
| 23 | 177-440-5 | Driving Blade | 2 | 53 | 990-329-0 | O-Ring (JW1530-19) | 1 ● | | | | |
| 24 | 178-904-8 | Liner Front Plate | 1 | 54 | 990-337-0 | O-Ring (JW1530-27) | 2 ▲ | | | | |
| 25 | 177-905-6 | Liner Casing | 1 | 56 | 990-912-0 | O-Ring (SNS-14) | 2 | | | | |

FOOTNOTES

- = Parts for UX-500D
- = Items in Pulse Repair Kit UX-500(D)-PRK
- ▲ = Items in Repair Kit UX-500-RK

AIMCO also offers a complete line of standard & special adapters, bits, sockets and extensions.




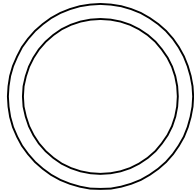

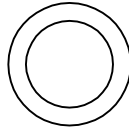


10000 SE Pine Street
 Portland, OR 97216
 503-254-6600
 FAX 503-255-2615

When ordering spare parts, please specify tool type, part number and description.

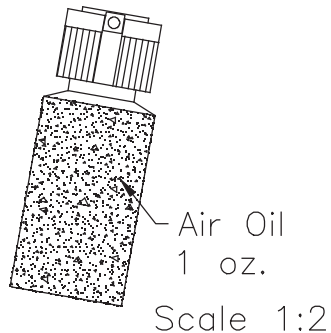

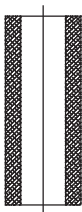
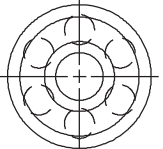
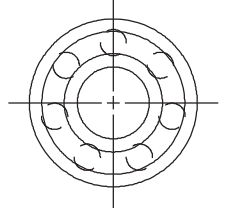
UX-500-PRK

(Kit contains following parts)

| #/# | Item Number on Exploded View | Part Number | QTY | Description | Material | Drawing / Scketch |
|-----|------------------------------|-------------|-----|--------------|--------------|---|
| 1 | 30 | 944-002-0 | 2 | Support Ring | Teflon-White |  |
| 2 | 44 | 976-791-0 | 2 | Spring | Spring wire |  |
| 3 | 52 | 990-320-0 | 2 | O-Ring | Buna-Black |  |
| 4 | 53 | 990-329-0 | 1 | O-Ring | Buna-Black |  |
| 5 | 68 | 990-900-0 | 1 | O-Ring | Buna-Black |  |
| 6 | 57 | 995-512-0 | 1 | Teflon Seal | Teflon-Black |  |

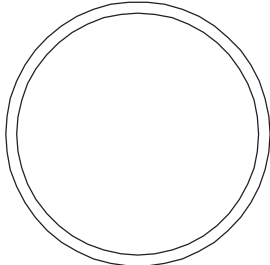
UX-500-RK

(Kit contains following parts)

| #/# | Item Number on Exploded View | Part Number | QTY | Description | Material | Drawing / Scketch |
|-----|------------------------------|-------------|-----|------------------------------|----------------------------|---|
| 1 | - | AM-OIL | 1 | Oil Air Motor 1 oz. fluid | Plastic Container |  |
| 2 | 15 | 177-288-5 | 7 | Blade | Phenolic-Fiber |  |
| 3 | 11 | 177-835-6 | 1 | Filter | Filter Element (Yellow) |  |
| 4 | 50 | 982-401-0 | 1 | Ball Bearing(EE-2) | Bearing Steel |  |
| 5 | 51 | 982-402-0 | 1 | Ball Bearing(EE-3) | Bearing Steel |  |

UX-500-RK

(Kit contains following parts)

| #/# | Item Number on Exploded View | Part Number | QTY | Description | Material | Drawing / Scketch |
|-----|------------------------------|-------------|-----|-------------|------------|---|
| 6 | 54 | 990-337-0 | 2 | O-Ring | Buna-Black |  |