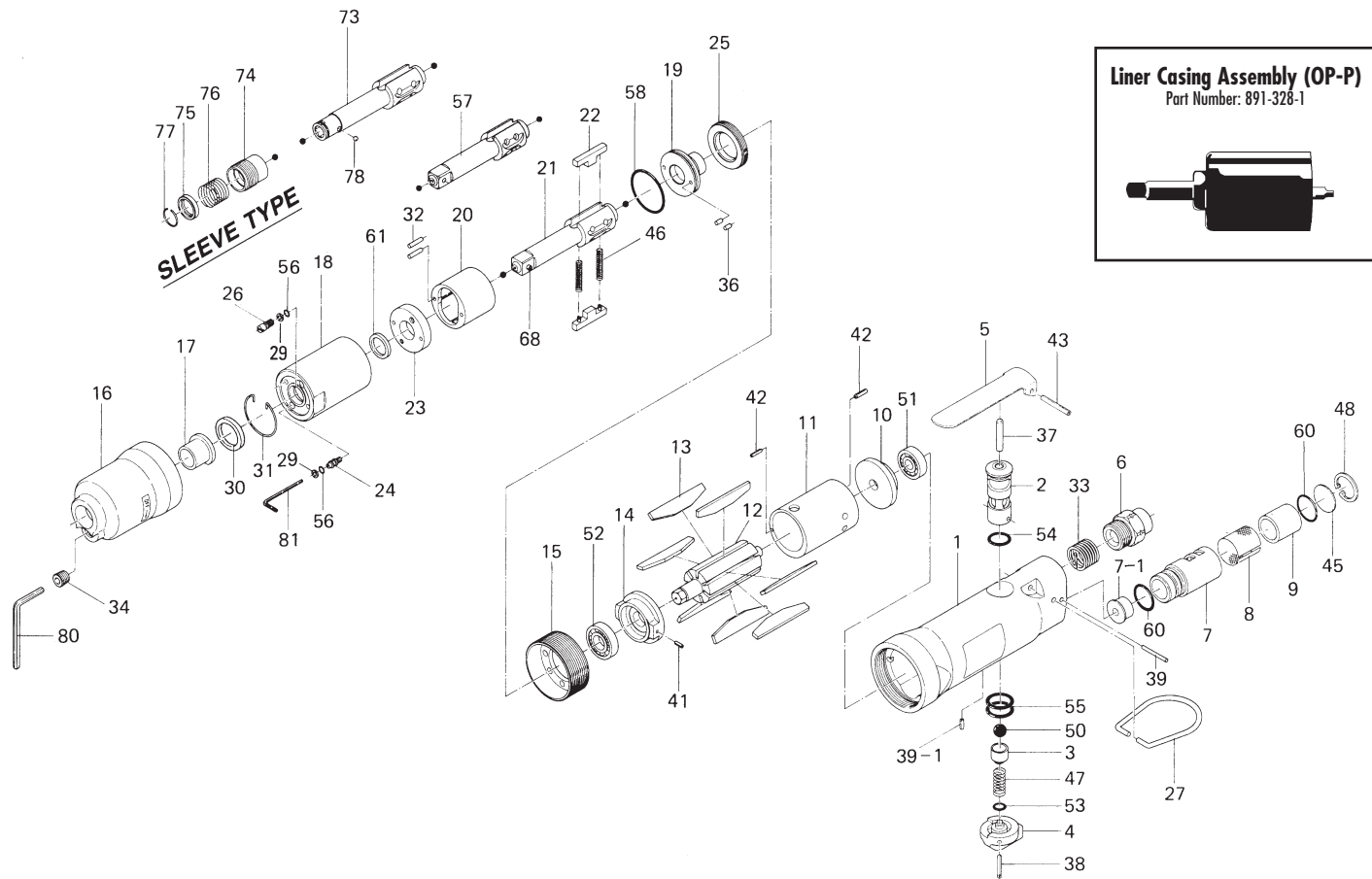


# UX-612S, 612SD OIL-PULSE TOOLS

## EXPLODED VIEW



## PARTS LIST — FOR REFERENCE ONLY

Index Number	Part Number	Description	Qty.	Index Number	Part Number	Description	Qty.	Index Number	Part Number	Description	Qty.
1	179-025-0	Casing	1	27	010-790-1	Suspension Ring	1	57	178-319-8	Anvil (OP-0)	1
2	180-210-2	Reverse Valve	1	29	944-002-0	Supporting Ring (2.6 x 4.5 x 1)	2	58	990-329-0	O-Ring (JWIS30-19)	1
3	180-100-2	Valve	1	30	178-327-9	Anvil Front Spacer	1	60	990-914-0	O-Ring (SNS-16)	2
4	180-212-2	Reverse Lever	1	31	978-282-0	Snap Ring (28 x 1.0)	1	61	995-512-0	Teflon Seal (P12)	1
5	500-107-1	Valve Lever	1	32	970-135-0	Pin (H) (2.45 x 11)	2	21	891-316-1	Anvil (OP-P)	1
6	180-091-6	Air Inlet Bushing	1	33	965-073-0	Heli-Sert (UNF5/8 x N6)	1	68	891-300-1	Socket Retainer Pin Assembly	1
7	194-780-4	Exhaust Stack	1	34	966-110-0	Allen Head Plug (NPT 1/16)	1	73	178-350-0	Driver Anvil	1
7-1	190-781-6	Exhaust Stack Bushing	1	36	970-130-0	Pin (H) (2.45 x 4.5)	2	74	011-351-1	Bit Sleeve	1
8	194-042-4	Silencer	1	37	970-326-0	Pin (H) (4 x 25)	1	75	011-352-1	Bit Spacer	1
9	611-780-7	Filter	1	38	973-022-0	Roll Pin (2 x 22)	1	76	976-327-0	Spring (13.5 x 11)	1
10	180-285-2	Rear Plate	1	39	971-163-0	Pin (2.5 x 23)	1	77	978-117-0	Snap Ring (11.7 x 1.0)	1
11	180-286-2	Cylinder	1	39-1	973-005-0	Roll Pin (2 x 5)	1	78	981-002-0	Ball (1/8)	1
12	196-287-4	Rotor	1	41	973-006-0	Roll Pin (2 x 6)	1				
13	150-288-9	Rotor Blade (PC)	7	42	973-008-0	Roll Pin (2 x 8)	2				
14	182-289-2	Front Plate	1	43	973-124-0	Roll Pin (3 x 24)	1				
15	177-036-5	Hammer Casing Connector	1	45	975-598-0	Round Plate (18 x 1)	1				
16	178-439-8	Front Casing	1	46	976-792-0	Spring (3.5 x 21) (0.45)	2				
17	190-328-6	Anvil Bushing	1	47	976-147-0	Spring (7 x 12)	1				
18	178-905-9	Liner Casing	1	48	979-011-0	Inner Snap Ring (18)	1				
19	196-901-4	Rear Liner Plate	1	50	981-208-0	Ball (5/16)	1				
20	190-902-6	Liner	1	51	982-401-0	Ball Bearing (EE-2)	1				
22	190-440-6	Driving Blade	2	52	982-402-0	Ball Bearing (EE-3)	1				
23	178-904-8	Front Liner Plate	1	53	990-322-0	O-Ring (ARP-568-107)	1				
24	174-907-8	Relief Valve Spindle	1	54	990-008-0	O-Ring (P10)	1				
25	190-906-6	Liner Casing Cover	1	55	990-014-0	O-Ring (P14)	2				
26	178-742-0	Oil Plug	1	56	990-320-0	O-Ring (ARP-568-003)	2				

### ACCESSORIES

80	939-105-0	Allen Wrench (4mm)	1
81	939-091-0	Allen Wrench (1.5mm) (80 x 20)	1

### FOOTNOTES

- = Parts for UX-612S
- = Parts for UX-612SD

AIMCO also offers a complete line of standard & special adapters, bits, sockets and extensions.



When ordering spare parts, please specify tool type, part number and description.

10000 SE PINE, PORTLAND, OR 97216  
503-254-6600 FAX 503-255-2615