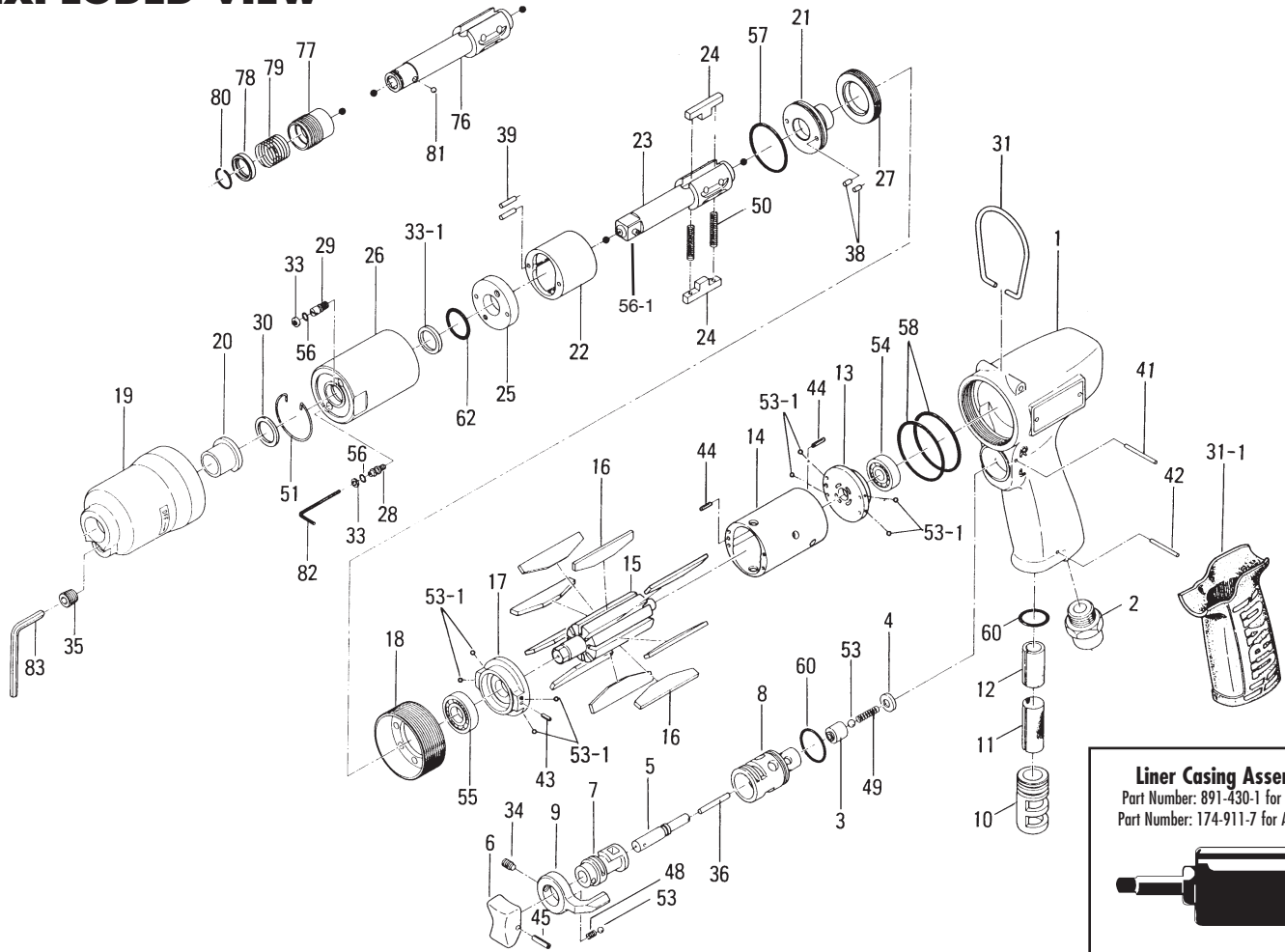


EXPLODED VIEW



PARTS LIST — FOR REFERENCE ONLY

Index Number	Part Number	Description	Qty.
1	162-025-8	Casing	1
2	480-091-8	Air Inlet Bushing	1
3	850-383-1	Valve	1
4	850-384-1	Valve Cover	1
5	427-103-5	Valve Rod Bushing	1
6	177-107-5	Valve Lever	1
7	480-210-9	Reverse Valve	1
8	850-382-1	Reverse Valve Bushing	1
9	480-212-8	Reverse Lever	1
10	480-780-8	Exhaust Stack	1
11	480-042-8	Silencer	1
12	177-835-6	Filter	1
13	162-285-8	Rear Plate	1
14	162-286-8	Cylinder	1
15	161-287-3	Rotor	1
16	161-288-3	Blade	9
17	162-289-8	Front Plate	1
18	177-036-5	Hammer Casing Connector	1
19	177-439-5	Front Casing	1
20	190-328-6	Anvil Bushing	1
21	196-901-4	Rear Liner Plate	1
22	177-902-5	Liner	1
23	891-307-1	Anvil (OP-P)	1
24	177-440-5	Driving Blade	2
25	178-904-8	Front Liner Plate	1
26	177-905-6	Liner Casing	1

Index Number	Part Number	Description	Qty.
27	190-906-6	Liner Casing Setter	1
28	174-907-8	Relief Valve Spindle	1
29	178-742-0	Oil Plug	1
30	178-327-9	Anvil Front Spacer	1
31	010-790-1	Suspension Ring	1
31-1	174-842-8	Handle Cover	1
33	944-002-0	Supporting Ring (2.6 x 4.5 x 1)	2
33-1	944-214-0	Supporting Ring (12 x 15.9 x 1.5)	1
34	952-106-0	Allen Head Dog Point Screw (M4 x 6)	1
35	966-110-0	Allen Head Plug (NPT1/16)	1
36	969-412-0	Pin (G) (2 x 12)	1
38	970-130-0	Pin (H) (2.45 x 4.5)	2
39	970-135-0	Pin (G) (2.45 x 11)	2
41	971-123-0	Pin (H) (2 x 23)	1
42	971-120-0	Pin (H) (2 x 20)	1
43	973-005-0	Roll Pin (2 x 5)	1
44	973-001-0	Roll Pin (1.5 x 6)	2
45	973-014-0	Roll Pin (2 x 14)	1
48	976-006-0	Spring (3.5 x 5) (0.4)	1
49	976-229-0	Spring (3.2 x 13) (0.3)	1
50	976-791-0	Spring (3.3 x 21) (0.4) WPC	2
51	978-282-0	Snap Ring (28 x 1)	1
53	981-002-0	Ball (1/8)	2
53-1	981-045-0	Ball (1.5)	8
54	982-401-0	Ball Bearing (EE-2)	1
55	982-402-0	Ball Bearing (EE-3)	1

Index Number	Part Number	Description	Qty.
56	990-320-0	O-Ring (ARPS68-003)	2
56-1	891-300-1	Socket Retainer CP	1
57	990-329-0	O-Ring (JW1530-19)	1
58	990-335-0	O-Ring (JW1530-25)	2
60	990-912-0	O-Ring (SNS-14)	2
62	990-152-0	O-Ring (P12) (NTN)	1
76	177-350-7	Driver Anvil	1 ■
77	011-351-1	Bit Sleeve	1 ■
78	011-352-1	Bit Spacer	1 ■
79	976-327-0	Spring (13.5 x 11) (0.9)	1 ■
80	978-117-0	Snap Ring (11.7 x 1.0)	1 ■

ACCESSORIES

81	981-002-0	Ball (1/8)	1 ■
82	939-091-0	Allen Wrench (1.5mm)	1
83	939-105-0	Allen Wrench (4mm)	1

FOOTNOTES

■ = Parts for Alpha 45D

AIMCO also offers a complete line of standard & special adapters, bits, sockets and extensions.



When ordering spare parts, please specify tool type, part number and description.
10000 SE PINE, PORTLAND, OR 97216
503-254-6600 FAX 503-255-2615