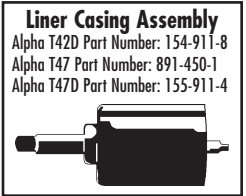
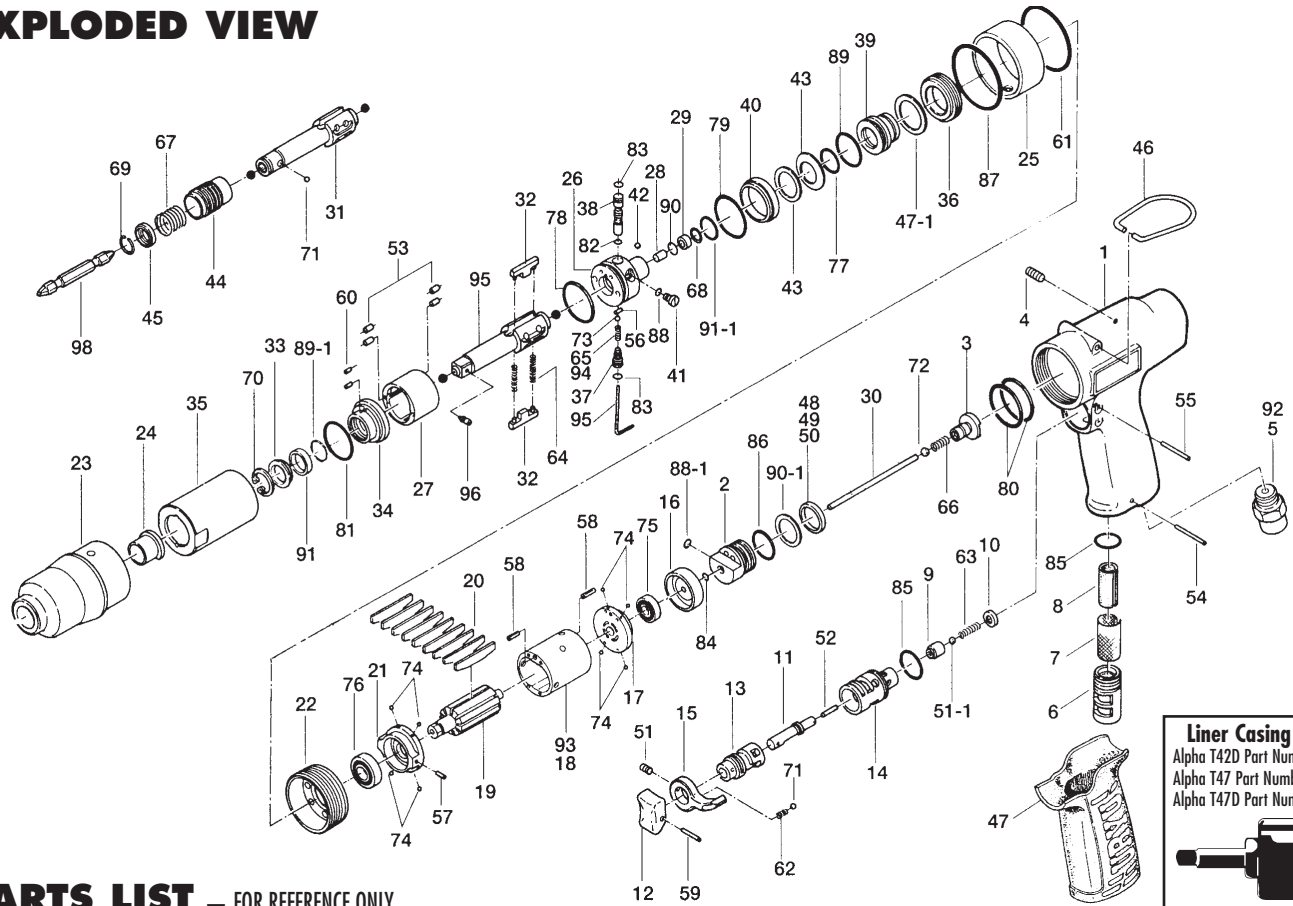


EXPLODED VIEW



PARTS LIST — FOR REFERENCE ONLY

Index Number	Part Number	Description	Qty.
1	141-025-8	Handle	1
2	152-253-6	Shut-Off Valve Bushing	1
3	155-254-2	Shut-Off Valve	1
4	150-108-5	Valve Plug	1
6	480-780-8	Exhaust Slack	1
7	480-042-8	Silencer	1
8	177-835-6	Filter	1
9	850-383-1	Valve	1
10	850-384-1	Valve Cover	1
11	150-103-5	Valve Rod Bushing	1
12	177-107-5	Valve Lever	1
13	480-210-9	Reverse Valve	1
14	850-382-1	Reverse Valve Bushing	1
15	480-212-8	Reverse Lever	1
16	152-291-6	Rear Plate Spacer	1
17	152-285-6	Rear Plate	1
19	155-287-2	Rotor	1
20	155-288-2	Blade (PC)	9
21	162-289-8	Front Plate	1
22	177-036-5	Hammer Casing Connector	1
23	152-439-6	Front Casing	1
24	190-328-6	Anvil Bushing	1
25	152-384-6	Hammer Casing Band	1
26	155-901-2	Rear Liner Plate	1
27	177-902-5	Liner	1
28	150-546-5	Piston	1
29	150-557-5	Piston Bushing	1
30	187-130-3	Piston Rod	1
32	177-440-5	Driving Blade	2
33	150-807-6	Spacer	1
34	150-904-5	Front Liner Plate	1
35	150-905-5	Liner Casing	1
36	190-906-6	Liner Casing Setter	1
37	150-907-5	Relief Valve Spindle	1
38	150-970-7	Relief Valve	1
39	155-972-6	Accumulator	1

Index Number	Part Number	Description	Qty.
40	150-973-5	Liner Casing Spacer	1
41	142-742-4	Oil Plug	1
42	150-064-5	Plug	1
43	155-167-2	Belleville Spring (609)	2
46	010-790-1	Suspension Ring	1
47	174-842-8	Handle Cover	1
47-1	150-682-9	Buffer	1
48	944-216-0	Supporting Ring (14 x 20 x 1.85) (Standard)	1
49	944-217-0	Supporting Ring (14 x 20 x 1.8)	1
50	944-218-0	Supporting Ring (14 x 20 x 1.9)	1
51	952-106-0	Allen Point Screw (M4 x 6)	1
51-1	981-155-0	Ball (3.5MM)	1
52	969-412-0	Pin (G) (2 x 12)	1
53	970-130-0	Pin (2.45 x 4.5)	4
54	971-120-0	Pin (2 x 20)	1
55	971-123-0	Pin (2 x 23)	1
56	972-011-0	Roller Pin (1.5 x 4.8)	1
57	973-006-0	Roll Pin (2 x 6)	1
58	973-001-0	Roll Pin (1.5 x 6)	2
59	973-014-0	Roll Pin (2 x 14)	1
60	973-040-0	Roll Pin (1.5 x 5)	2
61	975-752-0	Adjusting Spacer (15 x 10 x T)	1
62	976-006-0	Spring (3 x 5) (0.4)	1
63	976-229-0	Spring (3.2 x 13) (0.3)	1
64	976-791-0	Spring (3.3 x 21) (0.4) WPC	2
66	976-314-0	Spring (4.3 x 11) (0.4)	1
68	978-090-0	Snap Ring (9 x 0.7)	1
70	979-317-0	Inner Snap Ring (IRTW-17)	1
71	981-002-0	Ball (1/8)	1
72	981-245-0	Ball (4.5MM)	1
73	981-225-0	Ball (2.5MM)	1
74	981-045-0	Ball (1.5MM)	8
75	982-401-0	Ball Bearing (EE2)	1
76	982-402-0	Ball Bearing (EE3)	1
77	990-440-0	O-Ring (1-JASO-1014)	1
78	990-329-0	O-Ring (JW1530-19)	1

Index Number	Part Number	Description	Qty.
79	990-331-0	O-Ring (JW1530-21)	1
80	990-335-0	O-Ring (JW1530-25)	2
81	990-605-0	O-Ring (25 x 1.45)	1
82	990-623-0	O-Ring (4.6 x 3.0 x 0.8)	1
83	990-625-0	O-Ring (5.5 x 3.5 x 1.0)	2
84	990-900-0	O-Ring (SNS-2)	1
85	990-912-0	O-Ring (SNS-14)	2
86	990-916-0	O-Ring (SNS-18)	1
87	990-333-0	O-Ring (JW1530-23)	2
88	990-971-0	O-Ring (SNS-3)(NOK)	1
88-1	990-901-0	O-Ring (SNS-3)	1
89	990-979-0	O-Ring (SNS-20) (NOK)	1
89-1	990-152-0	O-Ring (P12) NTI	1
90	990-964-0	O-Ring (ARPS68-008) (NOK)	1
90-1	990-914-0	O-Ring (SNS-16)	1
91	944-213-0	Supporting Ring (12 x 16 x 1)	1
91-1	975-788-0	Adjusting Spacer (22 x 18.5 x T)	1
5	154-091-8	Air Inlet Bushing	1
18	154-286-8	Cylinder	1
65	976-395-0	Spring (2.8 x 6.9) (0.3)	1
92	152-091-6	Air Inlet Bushing	1
93	152-286-6	Cylinder	1
94	976-315-0	Spring (3 x 6.9) (0.4)	1
95	891-300-1	Anvil (OP-P)	1
96	891-300-1	Socket Pin Assembly	1
31	177-350-7	Driver Anvil	1
44	011-351-1	Bit Sleeve	1
45	011-352-1	BitSpacer	1
67	976-327-0	Spring (13.5 x 11)	1
69	978-117-0	Snap Ring (11.7 x 1)	1
71	981-002-0	Ball (1/8)	1

ACCESSORIES

97	939-107-0	Allen Wrench 2mm	1
98	916-810-0	(+) Double Bit No.2 x 75 (6.35H)	1

FOOTNOTES

- = Spare parts for Alpha T42D
- ◆ = Spare parts for Alpha T47 & T47D
- = Spare parts for Alpha T47
- * = Spare parts for Alpha T42D & T47D

AIMCO also offers a complete line of standard & special adapters, bits, sockets and extensions.



When ordering spare parts, please specify tool type, part number and description.
10000 SE PINE, PORTLAND, OR 97216
503-254-6600 FAX 503-255-2615