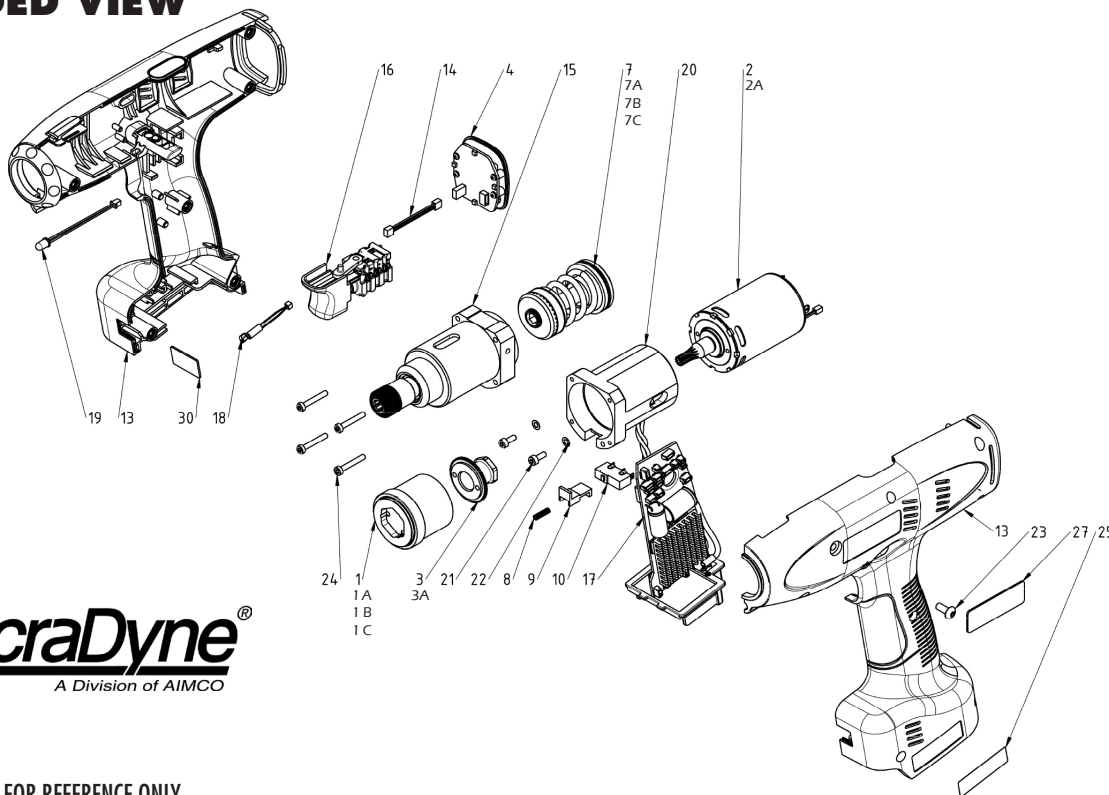


ABP-MTA06Q, -MTA08Q, -MTA12Q, -MTA17Q (BQ) (WQ) (WBQ) TRANSDUCERIZED CORDLESS PISTOL TOOLS

EXPLODED VIEW



PARTS LIST — FOR REFERENCE ONLY

Index Number	Part Number	Description	Qty.
Gear Assembly			
1	030000001	Gear Assembly i=20 without Motor Pinion & Sensor Housing (for ABP-MTA06Q)	1
1A	030000002	Gear Assembly i=25 without Motor Pinion & Sensor Housing (for ABP-MTA08Q)	1
1B	030000003	Gear Assembly i=35 without Motor Pinion & Sensor Housing (for ABP-MTA12Q)	1
1C	030000004	Gear Assembly i=49 without Motor Pinion & Sensor Housing (for ABP-MTA17Q)	1
Motor Assembly			
2	030000018	Motor Assembly i20/i25 (for ABP-MTA06Q & ABP-MTA08Q)	1
2A	030000019	Motor Assembly i35/i49 (for ABP-MTA12Q & ABP-MTA17Q)	1
Sensor Assembly			
3	030000028	Sensor Assembly, Pistol 7.5 Nm (for ABP-MTA06Q & ABP-MTA08Q)	1
3A	030000249	Sensor Assembly, Pistol 15 Nm (for ABP-MTA12Q & ABP-MTA17Q)	1
Clutch			
7	030000074	Clutch, White (for ABP-MTA06Q)	1
7A	030000072	Clutch, Green (for ABP-MTA08Q & ABP-MTA12Q)	1
7B	030000073	Clutch, Red (for ABP-MTA17Q)	1
Common Parts			
4	030000037	Display Assembly	1
8	FEDER-0.40x2.70x12.0	Pressure Spring	2
9	030000310	Board Shutoff Assembly	1
10	030000337	Board Shutoff Connection Cable	1
13	030000430	Pistol Case, Black	1
14	030000233	Display Cable, Pistol	1
15	030100141	Drive Shaft Assembly	1
16	030100061	Start Switch Set	1
17	030003058	Electronics Assembly	1
18	030000159	Vibration Motor, Pistol	1
19	030000157	LED, Complete	1
20	030100235	Gearbox Assembly, Pistol	1
21	DIN 912-M3x8-SW	Cylinder Head Bolt M3 x 8	2
22	N0110-S3-NI	N0110 Washer S3	2

Index Number	Part Number	Description	Qty.
23	BN6404-M4x6-ST	Clamping Screw M4 x 6	2
24	DIN B4850-M3x20-SW	Cylinder Head Screw (Torx) M3 x 20	4
25	30950	Label, Pistol Nutrunner	2
26	30258	Label, Assembled in Germany	1
27	30260	Label, AcraDyne Logo	2
30	030000224	Scanner Pane, Black	1

FOR ABP-MTA(BQ) SERIES TOOLS (BUILT-IN BARCODE READER)

200	030000172	Scanner Pane 22 x 14 x 1 mm, transparent	1
201	030000170	Barcode Reader, Reading Area 69–482 mm	1
202	030000171	Ribbon Cable, Barcode Reader	1
203	030000255	PE-Strip (50 mm)	1
204	030000174	Adapter, Barcode Reader Circuit Board	1
205	030000173	Scanner Cable, Pistol & Angle	1

FOR ABP-MTA(WQ) SERIES TOOLS (BUILT IN WI-FI)

206	030000176	Wi-Fi board (2.4 GHz or 5 GHz) without Cable	1
207	030000177	Wi-Fi Cable	1
32	FCC-Label	FCC Label, Delivery Wi-Fi Module in USA	1

FOR ABP-MTA(WBQ) SERIES TOOLS (BUILT IN WI-FI & BARCODE READER)

208	030000172	Scanner Pane 22 x 14 x 1 mm, Transparent	1
209	030000170	Barcode Reader, Reading Area 69–482 mm	1
210	030000171	Ribbon Cable, Barcode Reader	1
211	030000255	PE-Strip (50 mm)	1
212	030000176	Wi-Fi board (2.4 GHz or 5 GHz) without Cable	1
213	030000173	Scanner Cable, Pistol & Angle	1
214	030000177	Wi-Fi Cable	1
32	FCC-Label	FCC Label, Delivery Wi-Fi Module in USA	1

ACCESSORIES

030000243	Torque Adjust Tool	1
USB-MINI-A-B	USB Cable, Mini-A to B, 1.0 m	1
AB-B1825LI	18V, 2.5 Ah Li-Ion Battery	1

FOOTNOTES



10000 SE PINE
PORTLAND, OR 97216
503-254-6600
FAX 503-255-2615

When ordering spare parts, please specify tool type, part number, and description.