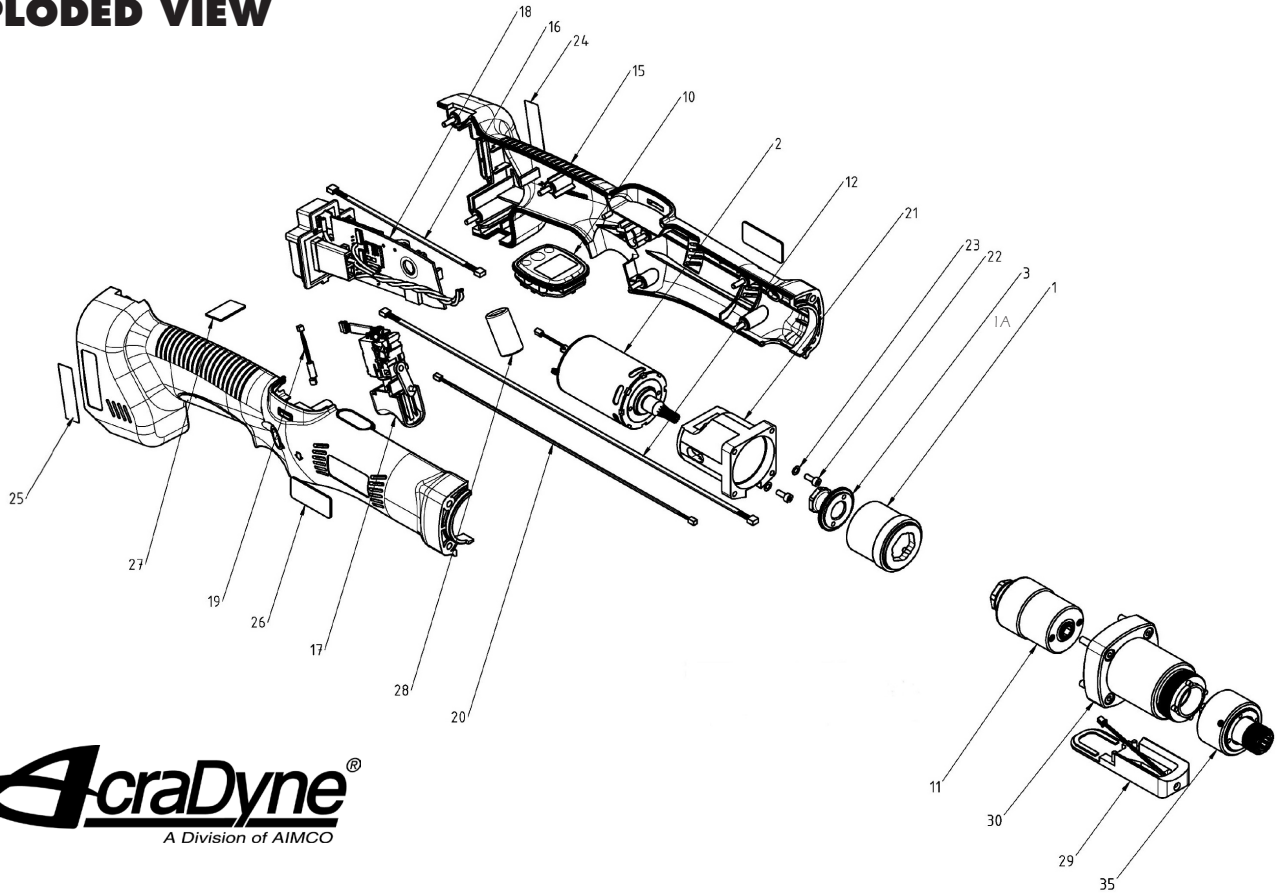


# ABS-CTA 12Q & ABS-CTA 17Q (BQ) (WQ) (WBQ) TRANSDUCERIZED CORDLESS STRAIGHT TOOLS

## EXPLODED VIEW



**AcraDyne®**  
A Division of AIMCO

### PARTS LIST — FOR REFERENCE ONLY

Index Number	Part Number	Description	Qty.
<b>Gear Assembly</b>			
1	030000003	Gear Assembly i=35 without Motor Pinion & Sensor Housing (for ABS-CTA12Q)	1
1A	030000004	Gear Assembly i=49 without Motor Pinion & Sensor Housing (for ABS-CTA17Q)	1
2	030000019	Motor Assembly i35/i49	1
3	030000027	Connecting Flange	1
10	030000037	Display Assembly	1
11	030000064	Sensor Assembly 20 Nm	1
12	030000238	Sensor Cable, Angle 285 mm	1
15	030000341	Angle Case, Black	1
16	030000309	Display Cable, Screened, Angle	1
17	030100061	Start Switch Set	1
18	030005058	Electronics Assembly	1
19	030000162	Vibration Motor, Angle	1
20	030000230	LED Cable, Angle	1
21	030100231	Gearbox, Angle	1
22	DIN 912-M3x8-SW	Cylinder Head Bolt M3 x 8	2
23	N0110-S3-NI	N0110 Washer	2
24	30950	Label, Straight Nutrunner	2
25	30258	Label, Assembled in Germany	1
26	30259	Label, AcraDyne Logo 35.5 x 16 mm	2
27	030000224	Scanner Pane, Black	1
28	030000232	Ferrit Bead, Angle & Straight	1
29	030100257	Lighting Assembly incl. Cover	1
30	030000259	Straight/Angle Adapter 10 and 15 Nm	1
35	030000127	Drive Shaft Assembly, Straight Tool	1

Index Number	Part Number	Description	Qty.
<b>FOR ABS-CTA(BQ) SERIES TOOLS (BUILT-IN BARCODE READER)</b>			
200	030000172	Scanner Pane 22 x 14 x 1 mm, Transparent	1
201	030000170	Barcode Reader, Reading Area 69–482 mm	1
202	030000171	Ribbon Cable, Barcode Reader	1
203	030000255	PE-strip (50 mm)	1
204	030000174	Adapter, Barcode Reader Circuit Board	1
205	030000173	Scanner Cable, Pistol & Angle	1
<b>FOR ABS-CTA(WQ) SERIES TOOLS (BUILT IN WI-FI)</b>			
206	030000176	Wi-Fi Board (2.4 GHz or 5 GHz) without Cable	1
207	030000177	Wi-Fi Cable	1
32	FCC-Label	FCC Label, Delivery Wi-Fi Module in USA	1
<b>FOR ABS-CTA(WBQ) SERIES TOOLS (BUILT IN WI-FI &amp; BARCODE READER)</b>			
208	030000172	Scanner Pane 22 x 14 x 1 mm, Transparent	1
209	030000170	Barcode Reader, Reading Area 69–482 mm	1
210	030000171	Ribbon Cable, Barcode Reader	1
211	030000255	PE-strip (50 mm)	1
212	030000176	Wi-Fi board (2.4 GHz or 5 GHz) without Cable	1
213	030000173	Scanner Cable, Pistol & Angle	1
214	030000177	Wi-Fi Cable	1
32	FCC-Label	FCC Label, Delivery Wi-Fi Module in USA	1
<b>ACCESSORIES</b>			
	USB-MINI-A-B	USB Cable, Mini-A to B, 1.0 m	1
	AB-B1825LI	18V, 2.5 Ah Li-Ion Battery	1

### FOOTNOTES



10000 SE PINE  
PORTLAND, OR 97216  
503-254-6600  
FAX 503-255-2615

When ordering spare parts, please specify tool type, part number, and description.