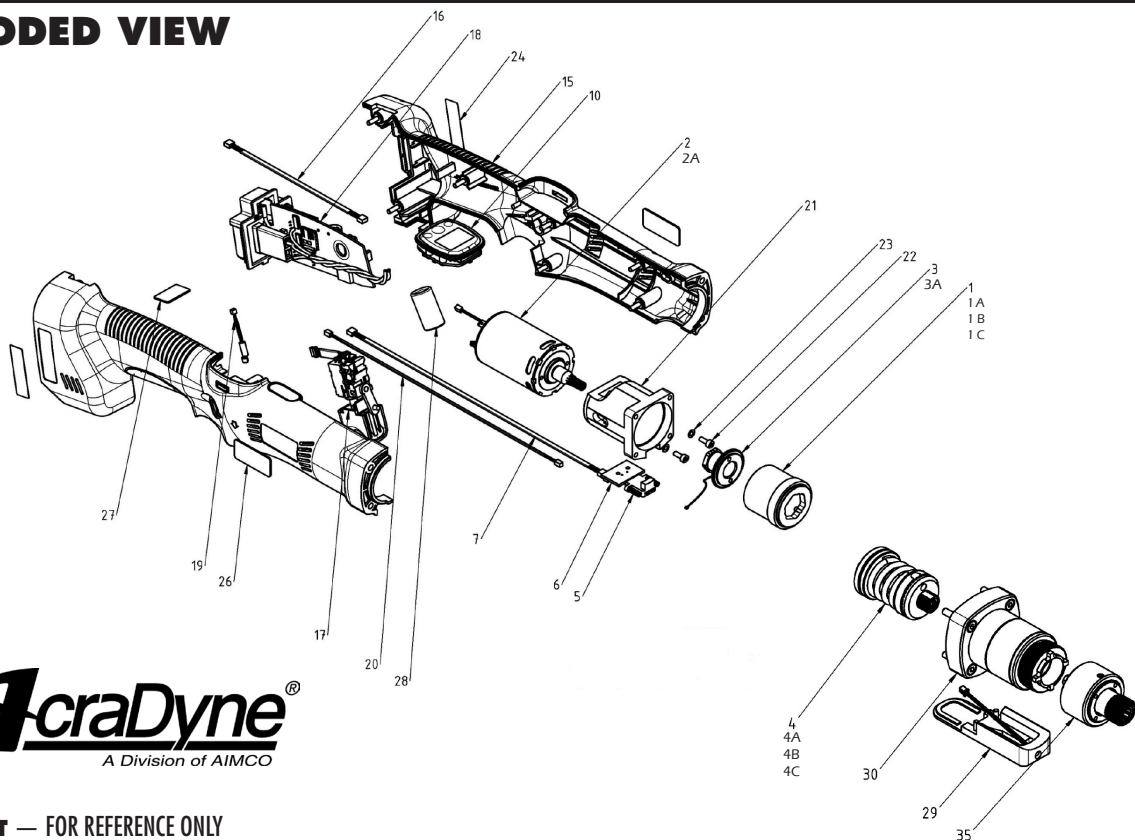


ABS-MTA06Q, -MTA08Q, -MTA12Q, -MTA17Q (BQ) (WQ) (WBQ) TRANSDUCERIZED CORDLESS STRAIGHT TOOLS

EXPLODED VIEW



PARTS LIST — FOR REFERENCE ONLY

Index Number	Part Number	Description	Qty.
Gear Assembly			
1	030000001	Gear Assembly i=20 without Motor Pinion & Sensor Housing (for ABS-MTA06Q)	1
1A	030000002	Gear Assembly i=25 without Motor Pinion & Sensor Housing (for ABS-MTA08Q)	1
1B	030000003	Gear Assembly i=35 without Motor Pinion & Sensor Housing (for ABS-MTA12Q)	1
1C	030000004	Gear Assembly i=49 without Motor Pinion & Sensor Housing (for ABS-MTA17Q)	1
Motor Assembly			
2	030000018	Motor Assembly i20/i25 (for ABS-MTA06Q & ABS-MTA08Q)	1
2A	030000019	Motor Assembly i35/i49 (for ABS-MTA12Q & ABS-MTA17Q)	1
Sensor Assembly			
3	030000029	Sensor Assembly, Angle 7.5 Nm (for ABS-MTA06Q & ABS-MTA08Q)	1
3A	030000252	Sensor Assembly, Angle 15 Nm (for ABS-MTA12Q & ABS-MTA17Q)	1
Clutch			
4	030000074	Clutch, White (for ABS-MTA06Q)	1
4A	030000072	Clutch, Green (for ABS-MTA08Q & ABS-MTA12Q)	1
4B	030000073	Clutch, Red (for ABS-MTA17Q)	1
Common Parts			
5	FEDER-0.40x2.70x12.0	Pressure Spring	2
6	030000310	Board Shutoff	1
7	030000338	Board Shutoff Connection Cable	1
10	030000037	Display Assembly	1
15	030000341	Angle Case, Black	1
16	030000229	Display Cable, Angle	1
17	030100061	Start Switch Set	1
18	030003058	Electronics Assembly	1
19	030000162	Vibration Motor, Angle	1
20	030000230	LED Cable, Angle	1
21	030100231	Gearbox, Angle	1
22	DIN 912-M3x8-SW	Cylinder Head Bolt M3 x 8	2
23	N0110-S3-NI	N0110 Washer S3	2
24	30950	Label, Straight Nutrunner	2

Index Number	Part Number	Description	Qty.
25	30258	Label, Assembled in Germany	1
26	30259	Label, AcraDyne Logo 35.5 x 16 mm	2
27	030000224	Scanner Pane, Black	1
28	030000232	Ferrit Bead, Angle & Straight	1
29	030100257	Lighting Assembly incl. Cover	1
30	030100254	Straight-Adapter Assembly	1
35	030000127	Drive Shaft Assembly, Straight Tool	1

FOR ABS-MTA(BQ) SERIES TOOLS (BUILT-IN BARCODE READER)

200	030000172	Scanner Pane 22 x 14 x 1 mm, Transparent	1
201	030000170	Barcode Reader, Reading Area 69–482 mm	1
202	030000171	Ribbon Cable, Barcode Reader	1
203	030000255	PE-strip (50 mm)	1
204	030000174	Adapter, Barcode Reader Circuit Board	1
205	030000173	Scanner Cable, Pistol & Angle	1

FOR ABS-MTA(WQ) SERIES TOOLS (BUILT IN WI-FI)

206	030000176	Wi-Fi Board (2.4 GHz or 5 GHz) without Cable	1
207	030000177	Wi-Fi Cable	1
32	FCC-Label	FCC Label, Delivery Wi-Fi Module in USA	1

FOR ABS-MTA(WBQ) SERIES TOOLS (BUILT IN WI-FI & BARCODE READER)

208	030000172	Scanner Pane 22 x 14 x 1 mm, Transparent	1
209	030000170	Barcode Reader, Reading Area 69–482 mm	1
210	030000171	Ribbon Cable Barcode Reader	1
211	030000255	PE-strip (50 mm)	1
212	030000176	Wi-Fi board (2.4 GHz or 5 GHz) without Cable	1
213	030000173	Scanner Cable, Pistol & Angle	1
214	030000177	Wi-Fi Cable	1
32	FCC-Label	FCC Label, Delivery Wi-Fi Module in USA	1

ACCESSORIES

030000243	Torque Adjust Tool	1
USB-MINI-A-B	USB Cable, Mini-A to B, 1.0 m	1
AB-B1825LI	18V, 2.5 Ah Li-Ion Battery	1

FOOTNOTES



10000 SE PINE
PORTLAND, OR 97216
503-254-6600
FAX 503-255-2615

When ordering spare parts, please specify tool type, part number, and description.