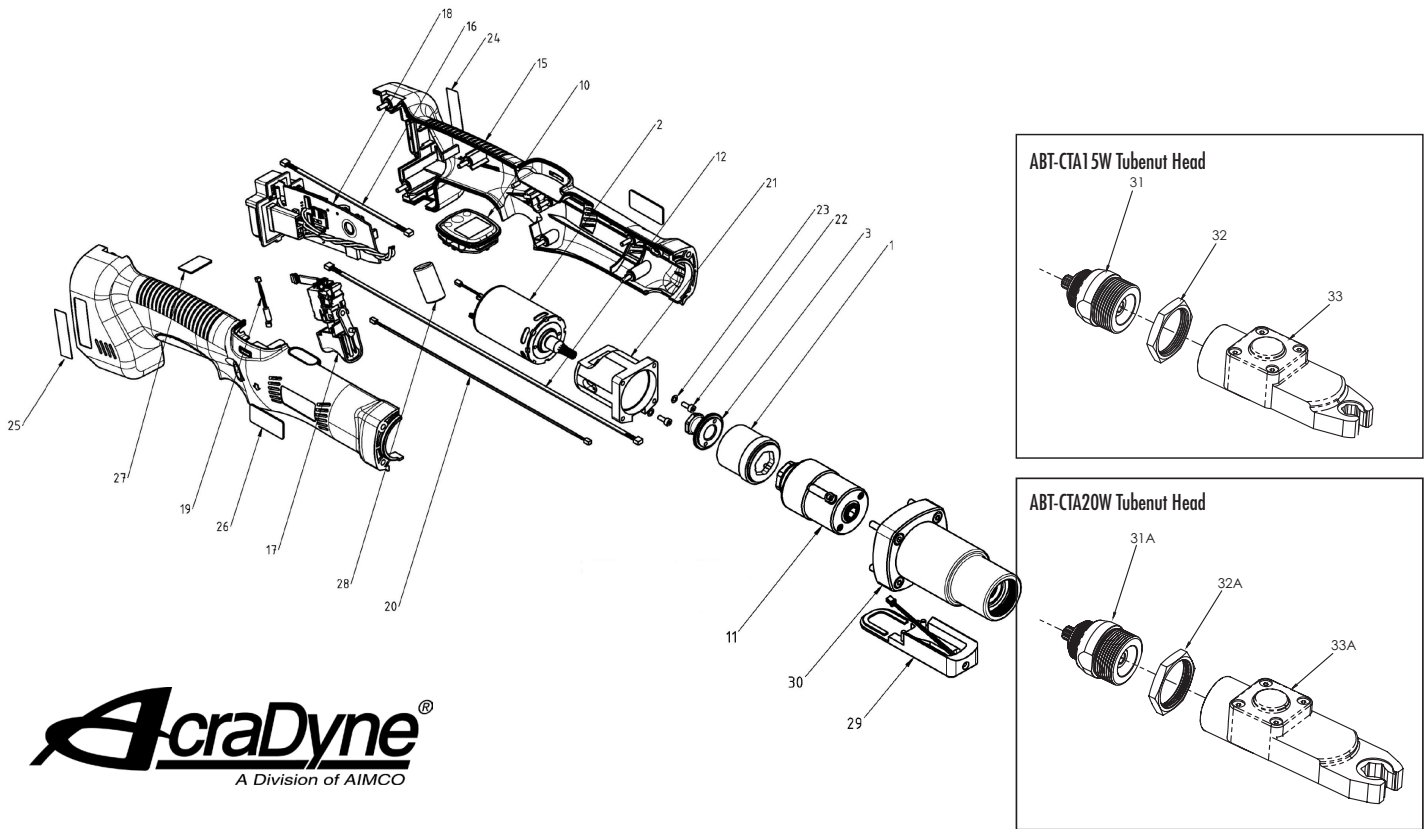


# ABT-CTA15W & ABT-CTA20W TRANSDUCERIZED CORDLESS TUBENUT TOOLS

## EXPLODED VIEW



**AcraDyne**<sup>®</sup>  
A Division of AIMCO

### PARTS LIST — FOR REFERENCE ONLY

Index Number	Part Number	Description	Qty.
1	030000004	Gear Assembly i=49 without Motor Pinion & Sensor Housing	1
2	030000019	Motor Assembly i35/i49	1
3	030000027	Connecting Flange	1
10	030000037	Display Assembly	1
11	030000064	Sensor Assembly 20 Nm	1
12	030000238	Sensor Cable, Angle 285 mm	1
15	030000341	Angle Case, Black	1
16	030000309	Display Cable, Screened, Angle	1
17	030100061	Start Switch Set	1
18	030005058	Electronics Assembly	1
19	030000162	Vibration Motor, Angle	1
20	030000230	LED Cable, Angle	1
21	030100231	Gearbox, Angle	1
22	DIN 912-M3x8-SW	Cylinder Head Bolt M3 x 8	2
23	N0110-S3-NI	N0110 Washer	2
24	30917	Label, Angle Nutrunner	1
25	30258	Label, Assembled in Germany	1
26	30259	Label, Acradyme Logo	2
27	030000224	Scanner Pane, Black	1
28	030000232	Ferrit Bead, Angle & Straight	1
29	030100257	Lighting Assembly incl. Cover	1
30	030000351	AB-CTA Angle Head Adapter Assembly S1A-20 Nm	1

Index Number	Part Number	Description	Qty.
<b>Tubenut Head for ABT-CTA15W</b>			
31	25729	Tubenut Adapter Assembly	1
32	233-073-0	Lock Nut, Gear Case, OHO S2 Interface	1
33	235-023-0	Tubenut Head Assembly	1
<b>Tubenut Head for ABT-CTA20W</b>			
31A	25729	Tubenut Adapter Assembly	1
32B	233-073-0	Lock Nut, Gear Case, OHO S2 Interface	1
33C	235-023-4	Tubenut Head Assembly	1

#### FOR ABT-CTA(W) SERIES TOOLS (BUILT IN WI-FI)

206	030000176	Wi-Fi Board (2.4 GHz or 5 GHz) without Cable	1
207	030000177	Wi-Fi Cable	1
41	FCC-Label	FCC Label, Delivery Wi-Fi Module in USA	1

#### ACCESSORIES

USB-MINI-A-B	USB Cable, Mini-A to B, 1.0 m	1
AB-B1825LI	18V, 2.5 Ah Li-Ion Battery	1

#### FOOTNOTES



10000 SE PINE  
PORTLAND, OR 97216  
503-254-6600  
FAX 503-255-2615

When ordering spare parts, please specify  
tool type, part number, and description.